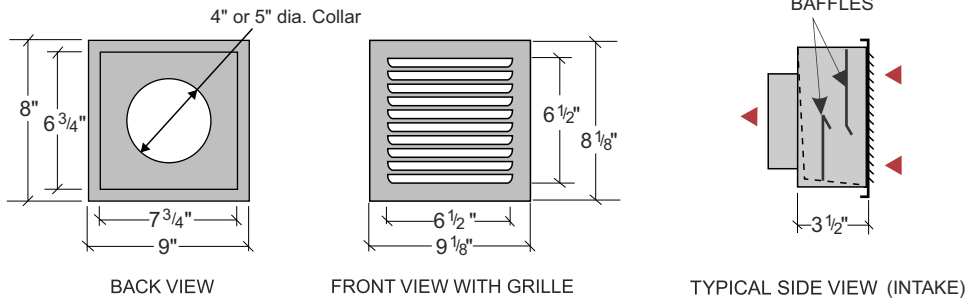
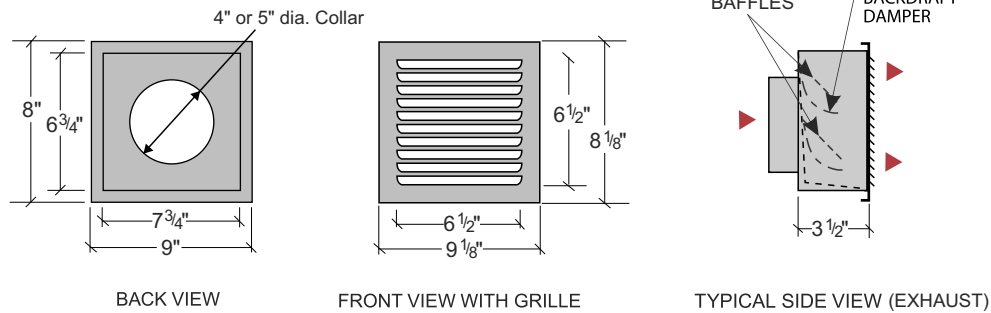




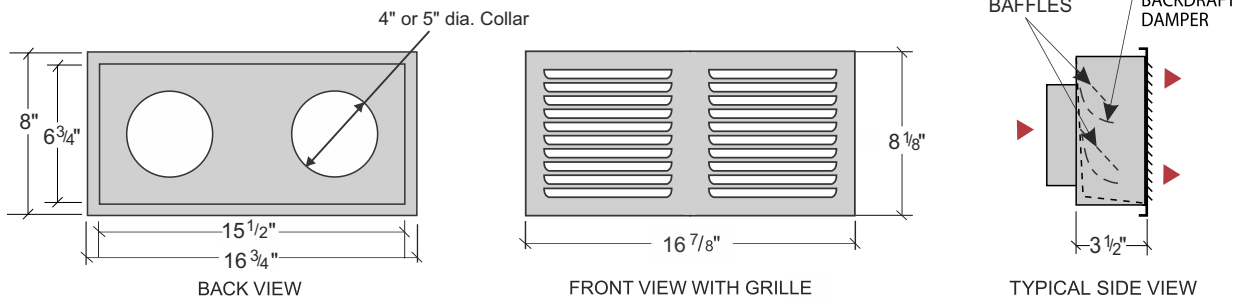
SINGLE INTAKE CUSTOM WALL BOX



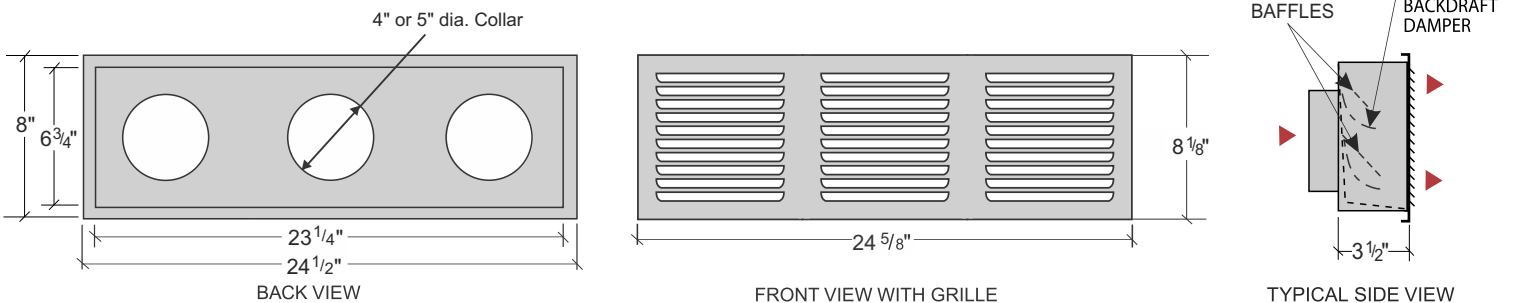
SINGLE EXHAUST CUSTOM WALL BOX



DOUBLE EXHAUST CUSTOM WALL BOX



TRIPLE EXHAUST CUSTOM WALL BOX



Contractor:		CUSTOM WALL BOX 3.5 deep		
Architect:	Job:	Date	Superse.des	Drawing No.
Engineer:	Date Submitted:	06/10/2022		