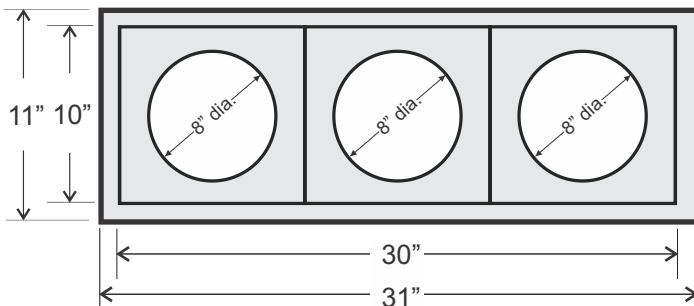
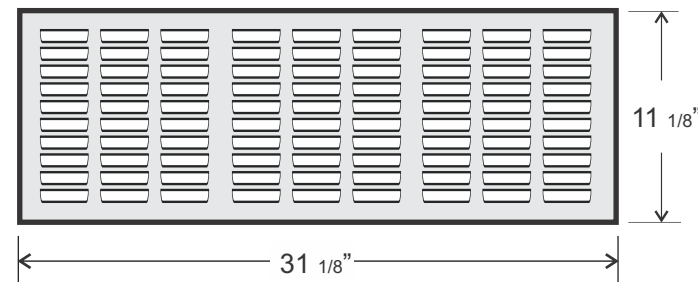


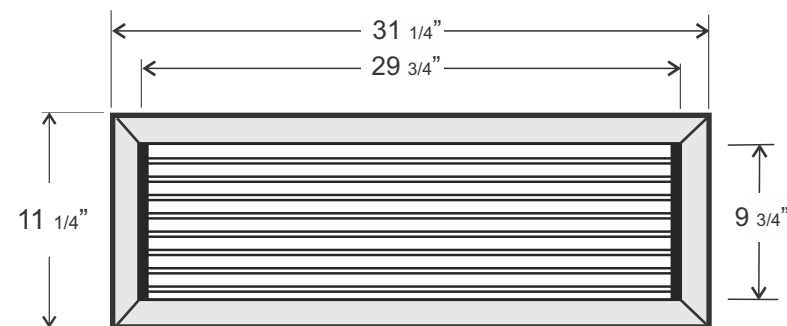
Side View



Back View



Stamped Grille



Extruded Aluminum Grille

NOTE:

CAULKING

- 3 SIDES ONLY, NOT ON BOTTOM
- IF CAULKING ALL 4 SIDES, MUST HAVE DRAINING HOLES.



REVERSOMATIC
MANUFACTURING LIMITED

790 Rowntree Dairy Road, Woodbridge, ON Canada L4L 5V3
Tel: 905-851-6701 • Fax: 905-851-8376
www.reversomatic.com • info@reversomatic.com

TITLE: 8" dia. wall box - 8" deep - Triple

REVISION	DATE	DRAWN BY: S.SHAH
		APPROVED BY: B. SHAH
		DATE: 02-24-2023
		SCALE: NTS
		DRAWING NO: