



MIXED FLOW IN-LINE FANS

RMF SERIES

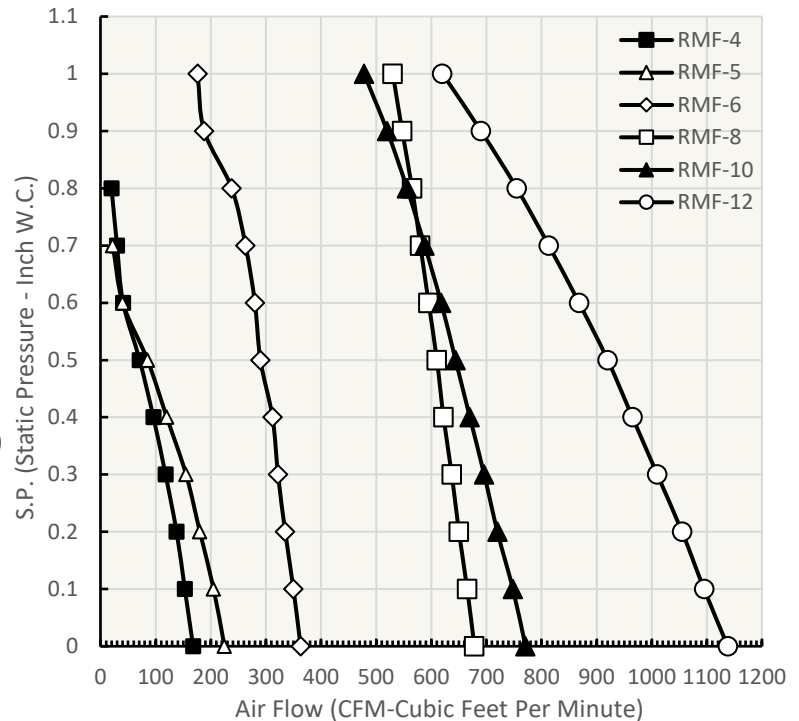


Models:

**RMF-4, RMF-5, RMF-6,
RMF-8, RMF-10, RMF-12**

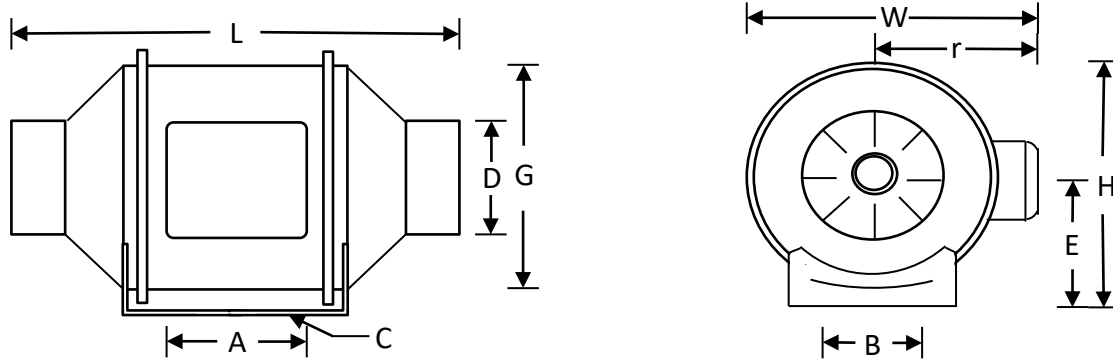
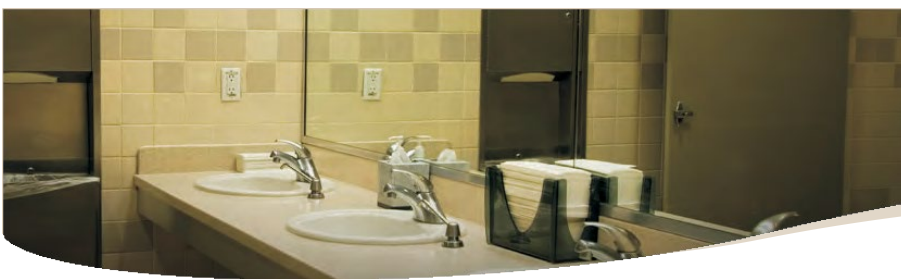
- Fan body is made of environmental protection material with beautiful lines and light weight, double insulation.
- Fan blade is designed according to hydro mechanical principle to reach the optimal airflow and air pressure, high efficiency working, low energy consumption and low noise.
- Special design of joint to facilitate installation and dismounting; Easy installation and maintenance.
- Outer rotor motor inside, with Japanese brand NMB ball bearing, long working life over 50000 hours.
- Protection class: IP44.
- Can be designed with user friendly features such as time delay, temperature sensor, humidity sensor or other customized functions.
- Operating temperature range: -20°C to 60°
- Perfect for homes, apartments, office, public place, hotel, hospital, gym and etc.

FAN CHART



SOUND RATING

MODEL	RMF-4	RMF-5	RMF-6	RMF-8	RMF-10	RMF-12
SOUND LEVEL	1.1 sones	1.1 sones	1.3 sones	11 sones	14 sones	17 sones



FAN SIZE

MODEL	A	B	C	øD	E	F	øG	L	W	H
RMF-4	3.15	2.36	4-ø0.18	3.82	3.90	4.57	6.42	11.89	8.03	7.68
RMF-5	3.15	2.36	4-ø0.18	4.84	3.90	4.57	6.42	10.12	8.03	7.68
RMF-6	3.15	2.36	4-ø0.20	5.79	4.29	5.00	7.36	12.32	8.94	8.19
RMF-8	3.94	3.70	4-ø0.22	7.76	4.92	5.39	8.07	11.89	9.80	9.33
RMF-10	5.91	5.91	4-ø0.31*0.43	9.72	5.91	6.85	10.28	15.08	12.20	11.26
RMF-12	7.13	7.01	4-ø0.31*0.43	12.28	7.36	8.50	12.80	17.56	15.20	14.06

HVI CERTIFIED RATING

MODEL	RMF-4		RMF-5		RMF-6	
	LS	HS	LS	HS	LS	HS
CFM @ 0.20" S.P.	40	130	40	180	120	330

FAN MOTOR (Maximum Speed @ 0.2" S.P.)

MODEL	RMF-4	RMF-5	RMF-6	RMF-8	RMF-10	RMF-12
Watts	23	23	60	180	143	226
RPM	2750	2650	2900	3000	2450	2350
Amp	0.35	0.35	0.90	2.3	0.6	1

PERFORMANCE DATA

MODEL	CUBIC FEET PER MINUTE (MAXIMUM SPEED)											
	S.P.	0.00	0.10	0.20	0.30	0.40	0.50	0.60	0.70	0.80	0.90	1.00
RMF-4	CFM	168	153	138	118	96	71	41	30	20	-	-
RMF-5		224.6	205	180	155	120	85	40	22	-	-	-
RMF-6		363	350	335	322	312	290	280	263	238	188	176
RMF-8		678	665	650	637	622	610	575	580	565	547	530
RMF-10		771	748	720	696	670	644	618	588	556	520	478
RMF-12		1138	1095	1055	1010	965	920	868	813	755	690	620