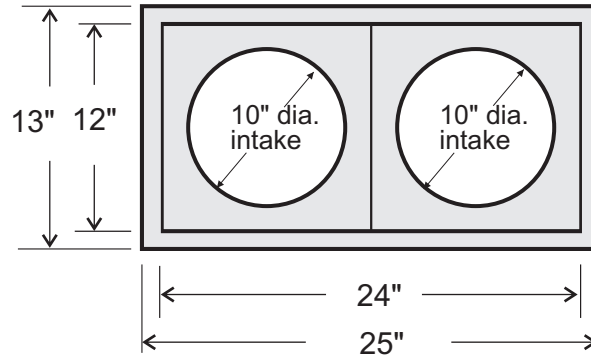
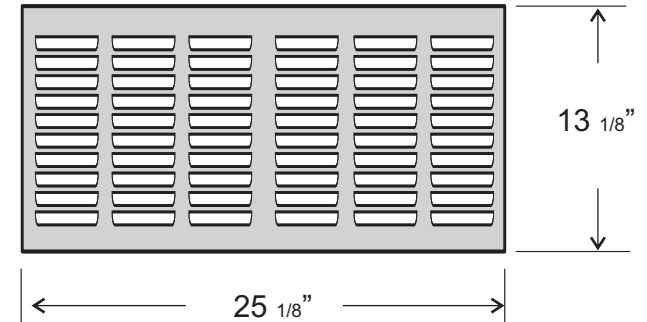


Side View



Back View



Stamped Grille

**NOTE:**

**CAULKING**

- 3 SIDES ONLY, NOT ON BOTTOM
- IF CAULKING ALL 4 SIDES,  
**MUST HAVE DRAINING HOLES.**

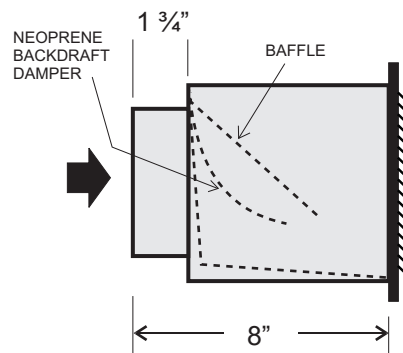


**REVERSOMATIC**  
MANUFACTURING LIMITED

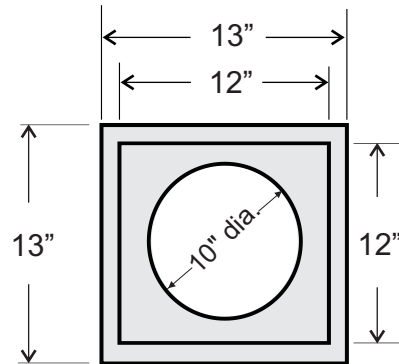
790 Rowntree Dairy Road, Woodbridge, ON Canada L4L 5V3  
Tel: 905-851-6701 • Fax: 905-851-8376  
www.reversomatic.com • info@reversomatic.com

TITLE: **10" dia. DOUBLE WALL BOX**

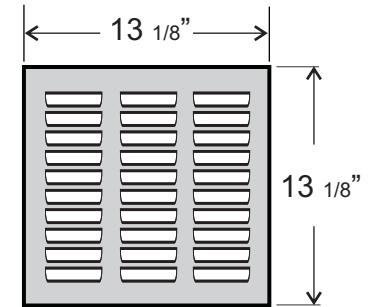
REVISION	DATE	DRAWN BY:
		APPROVED BY:
		DATE:
		SCALE: NTS
		DRAWING NO:



Side View



Back View



Stamped Grille

**NOTE:**

**CAULKING**

- 3 SIDES ONLY, NOT ON BOTTOM
- IF CAULKING ALL 4 SIDES,  
**MUST HAVE DRAINING HOLES.**

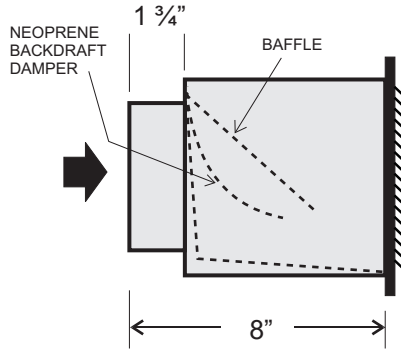


**REVERSOMATIC**  
MANUFACTURING LIMITED

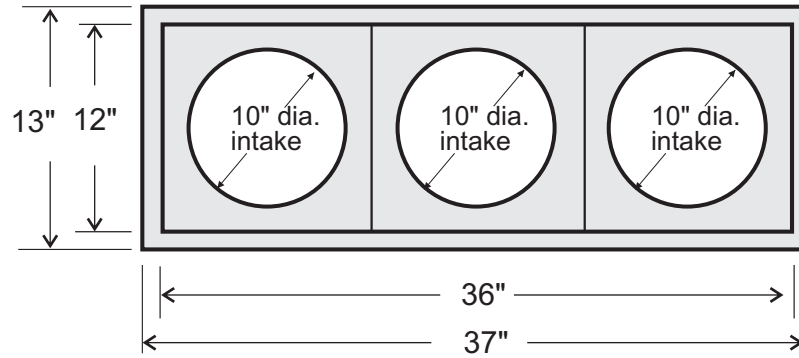
790 Rowntree Dairy Road, Woodbridge, ON Canada L4L 5V3  
Tel: 905-851-6701 • Fax: 905-851-8376  
www.reversomatic.com • info@reversomatic.com

TITLE: **10" dia. SINGLE WALL BOX**

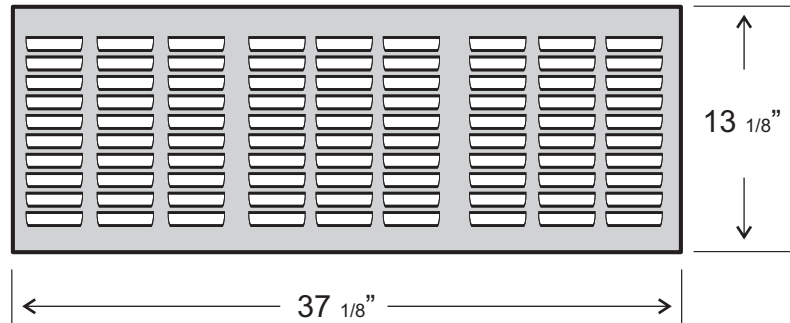
REVISION	DATE	DRAWN BY:
		APPROVED BY:
		DATE:
		SCALE: NTS
		DRAWING NO:



Side View



Back View



Stamped Grille

**NOTE:**

**CAULKING**

- 3 SIDES ONLY, NOT ON BOTTOM
- IF CAULKING ALL 4 SIDES, MUST HAVE DRAINING HOLES.



**REVERSOMATIC**  
MANUFACTURING LIMITED

790 Rowntree Dairy Road, Woodbridge, ON Canada L4L 5V3  
Tel: 905-851-6701 • Fax: 905-851-8376  
www.reversomatic.com • info@reversomatic.com

TITLE: **10" dia. TRIPLE WALL BOX**

REVISION	DATE	DRAWN BY:
		APPROVED BY:
		DATE:
		SCALE: NTS
		DRAWING NO: