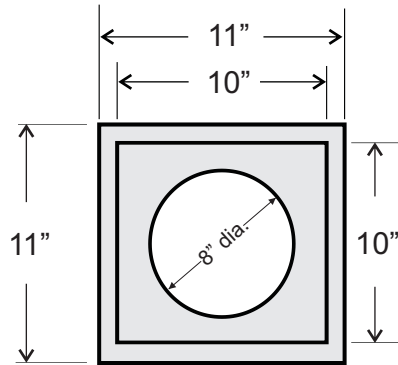
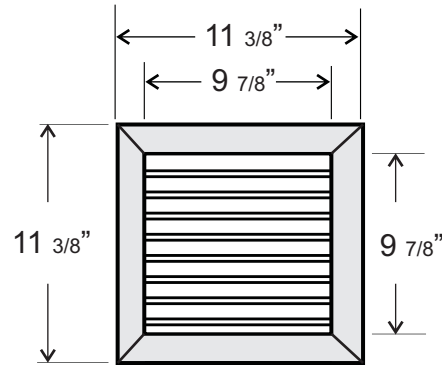


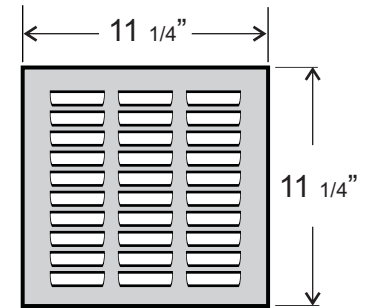
Side View



Back View



Extruded Aluminum Grille



Stamped Grille

**NOTE:**

**CAULKING**

- 3 SIDES ONLY, NOT ON BOTTOM
- IF CAULKING ALL 4 SIDES,  
**MUST HAVE DRAINING HOLES.**



**REVERSOMATIC**  
MANUFACTURING LIMITED

790 Rowntree Dairy Road, Woodbridge, ON Canada L4L 5V3  
Tel: 905-851-6701 • Fax: 905-851-8376  
www.reversomatic.com • info@reversomatic.com

**TITLE: 8 INCH WALL BOX**

REVISION	DATE	DRAWN BY: J.TANTAY
		APPROVED BY: B. SHAH
		DATE: MARCH 13,2009
		SCALE: NTS
		DRAWING NO: