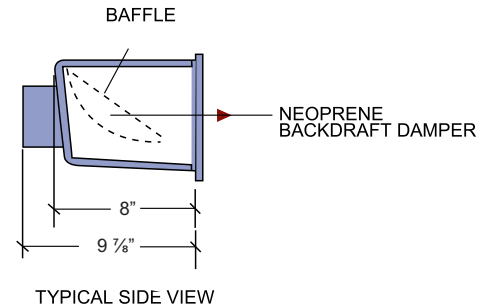
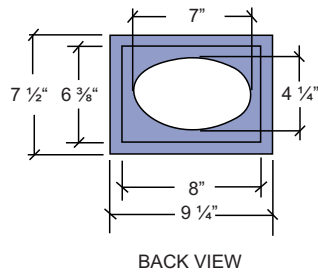
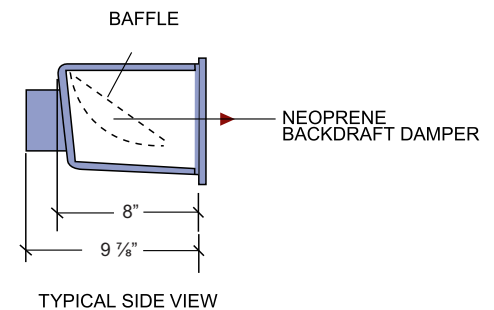
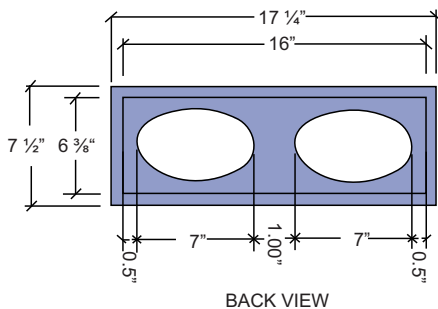


ACCESSORIES: CUSTOMIZED OVAL WALL BOXES

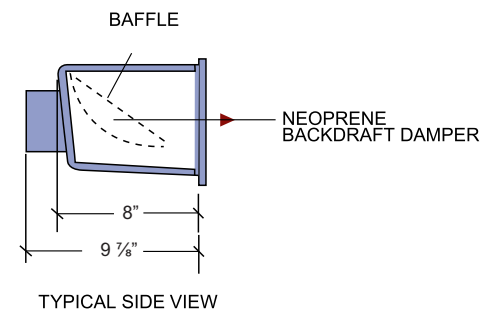
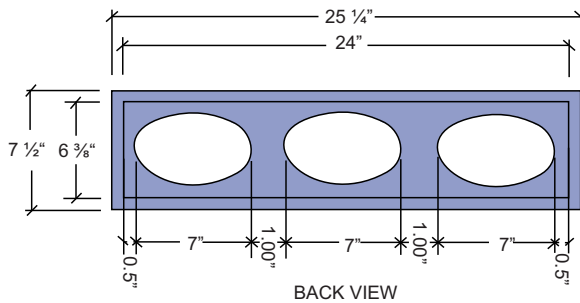
SINGLE WALL BOX (Exhaust)



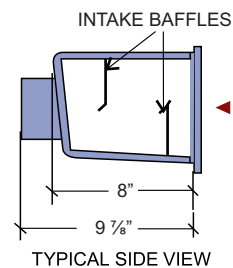
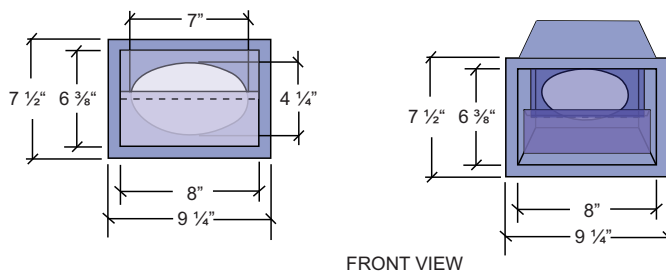
DOUBLE WALL BOX (Exhaust)



TRIPLE WALL BOX (Exhaust)



SINGLE WALL BOX (Intake)



Contractor:		CUSTOMIZED OVAL WALL BOXES		
Architect:	Job:	Date	Supersedes	Drawing No.
Engineer:	Date Submitted:	10/31/18		