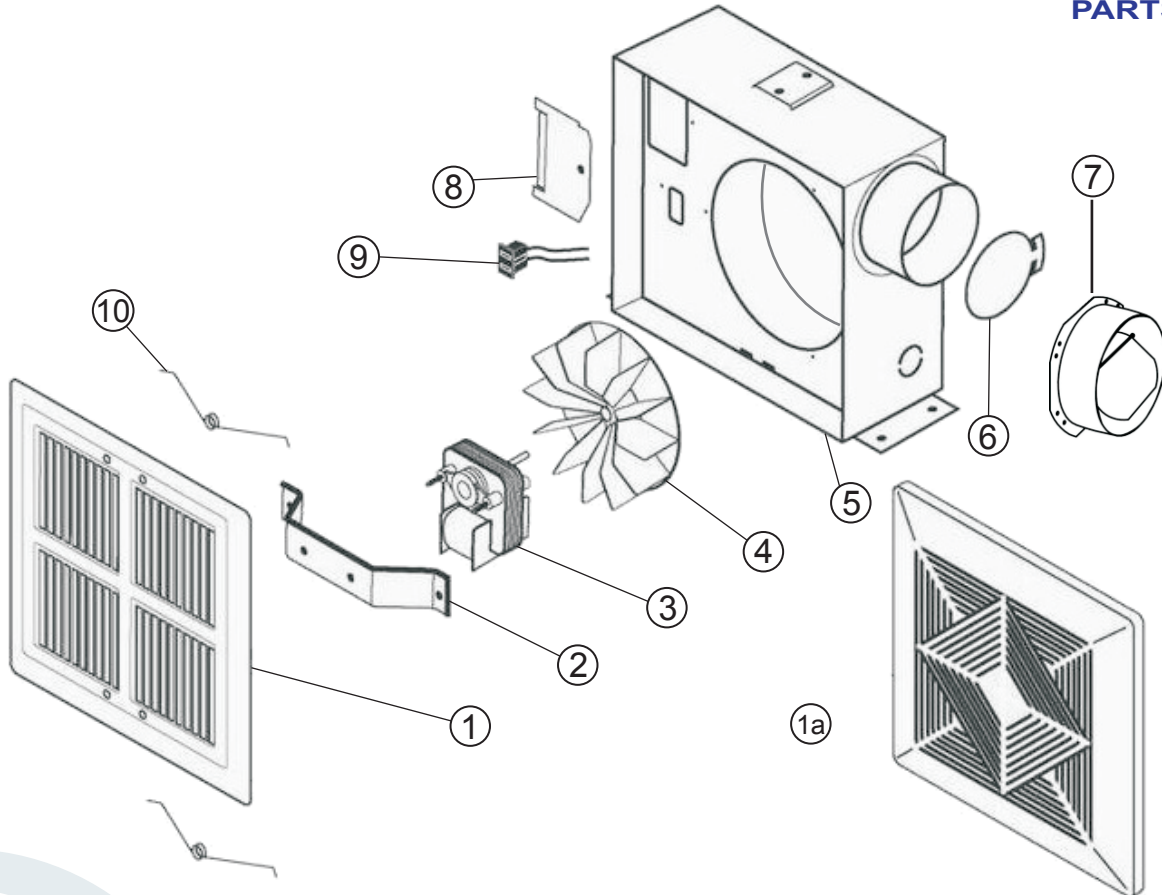




## EB-45 (EB-50 US model), EB-50 (EB-60 US model), EB-55 (EB-70 US model)

### PARTS LIST



REFERENCE	DESCRIPTION	PART NO.	
1	Grille Aluminum	011361	
1a	Grille Plastic (Hi-Impact Styrene)	014190	
2	Motor Bracket	011111	
3	Motor EB45, EB50	013005	
	Motor EB55	013002	
4	Blade	013231	
5	Housing	010101	
6	Neoprene Damper	014033	
7	3" dia. Plastic Backdraft Damper	PBD3	
8	Cover Plate	011141	
9	Receptacle	014001	
10	Torsion Spring	014004	