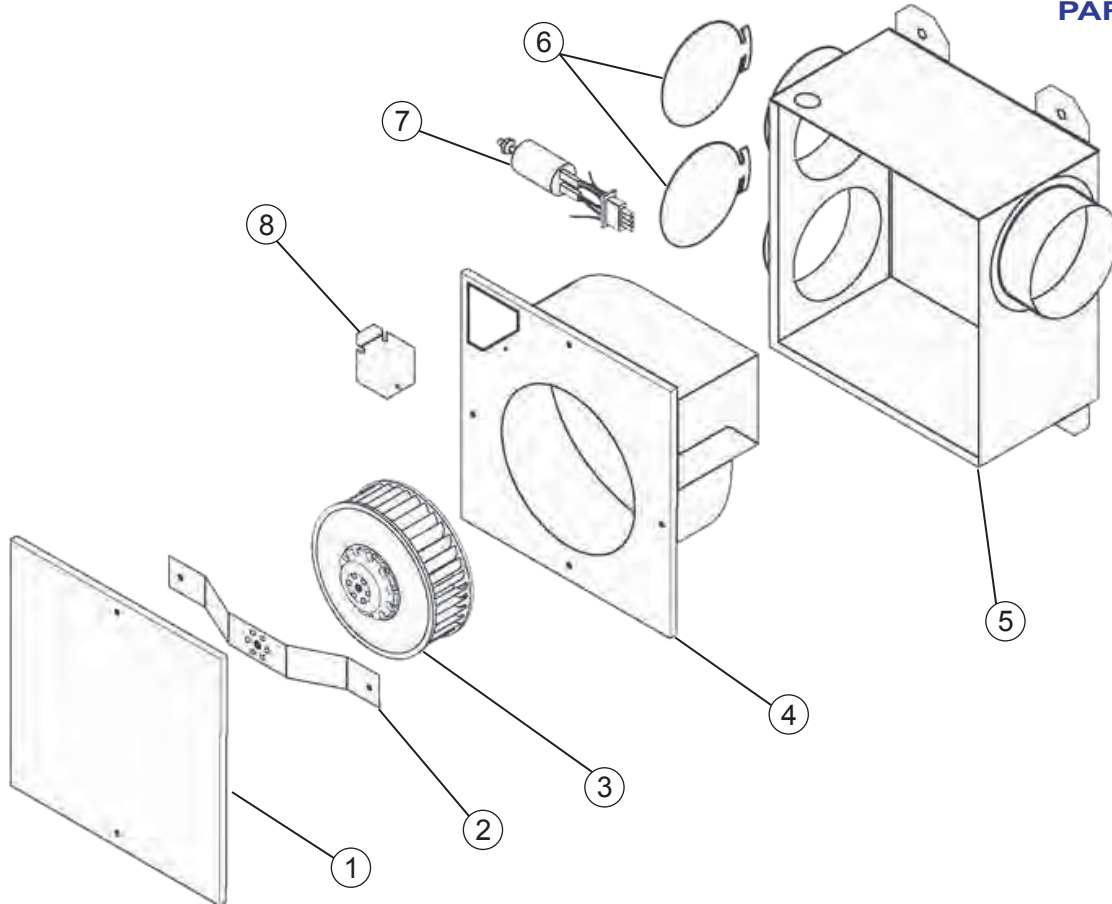




REVERSOMATIC

TL-340 (2 inlets), TL-340 (3 inlets)

PARTS LIST



REFERENCE	DESCRIPTION	PART NO.	
1	Cover, Insulated	010173	
2	Motor Mtg. Bracket	011125	
3	Motor / Blower Wheel	013072	
4	Blower Housing	010222	
5	Housing complete (no capacitor) 2 inlets	010159	
	Housing complete (no capacitor) 3 inlets	010175	
6	Neoprene Damper	014035	
7	Connector (F)	014041	
	Connector (M)	014042	
	Connector (M) w/ Wiring Harness	014045	
	Capacitor (8 mf)	014029	
8	Electrical Box Cover	011140	

Reversomatic Manufacturing Ltd.

790 Rowntree Dairy Road, Woodbridge, ON Canada L4L 5V3 • Tel: 905-851-6701 • Fax: 905-851-8376
www.reversomatic.com • info@reversomatic.com