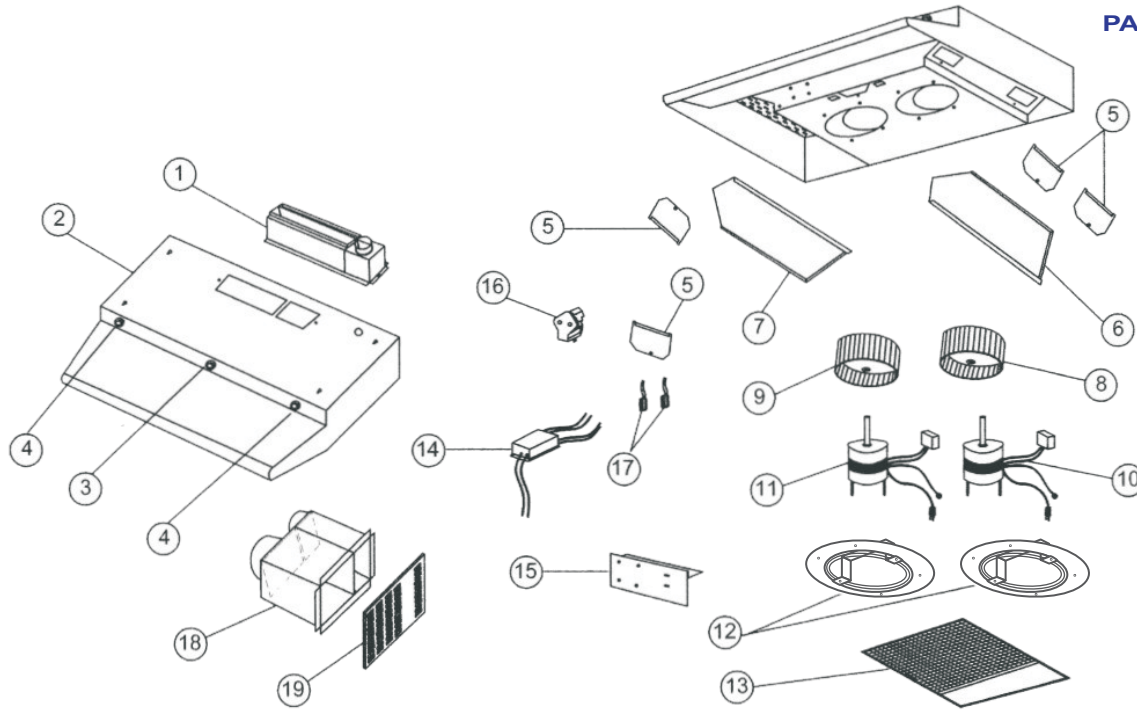




RH4000-250ES2 c/w Fresh Air Intake

PARTS LIST



REFERENCE	DESCRIPTION	PART NO.
1	Outlet / Inlet Transition c/w Damper	010275
2	Housing c/w Fresh Air Intake 30"	4311
	Housing c/w Fresh Air Intake 36"	4312
3	Light On/Off Switch	014010
4	Fan Motor Speed Control	014003
5	Electric Cover	011141
6	Right Panel	010350
7	Left Panel	010351
8	Blower wheels - Right Side CW	013212
9	Blower wheels - Right Side CCW	013211
10	Motors w/ Capacitor - Right Side CW	013035
11	Motors w/ Capacitor - Left Side CCW	013060
12	Motor bracket c/w Finger Guard	010237
13	Grease filter and light lens Combination	4054
14	Fluorescent ballast for 4 pin Fluorescent Bulb	016133
15	Light Bracket	010241
16	4 Pin Bulb Socket	016134
17	Receptacle	014001
18	Outlet / Inlet Wallbox c/w Damper	4055
19	Grille for Wallbox	4056

Reversomatic Manufacturing Ltd.

790 Rowntree Dairy Road, Woodbridge, ON Canada L4L 5V3 • Tel: 905-851-6701 • Fax: 905-851-8376
www.reversomatic.com • info@reversomatic.com