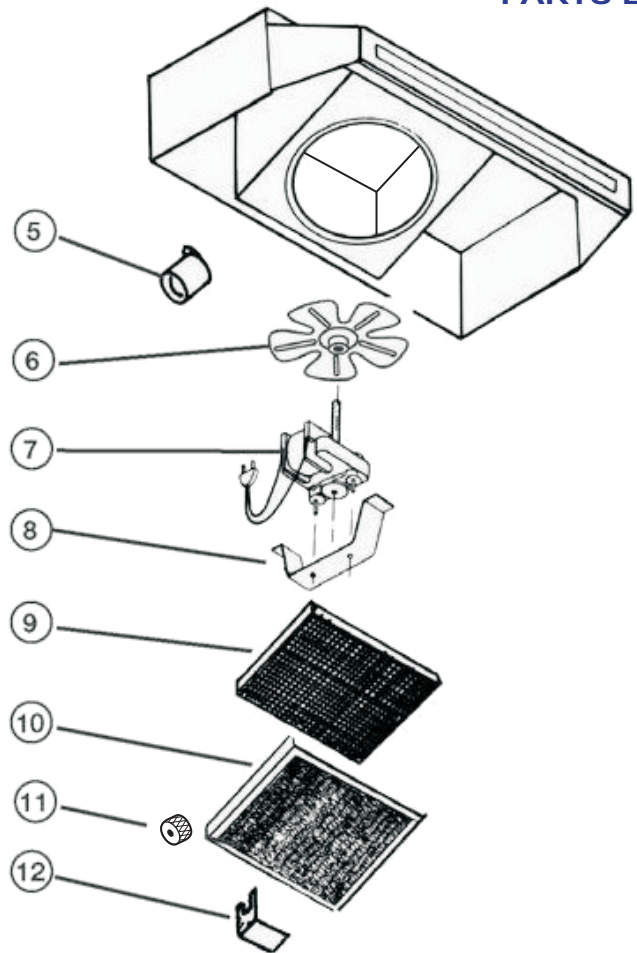
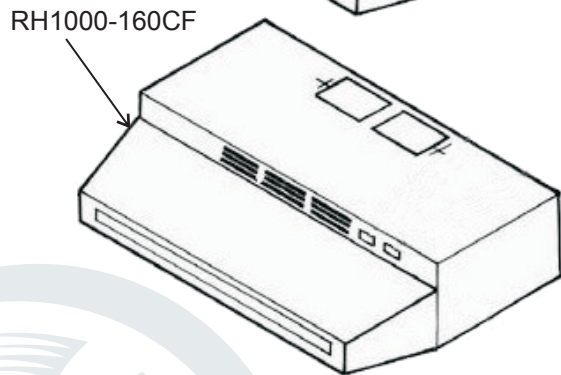
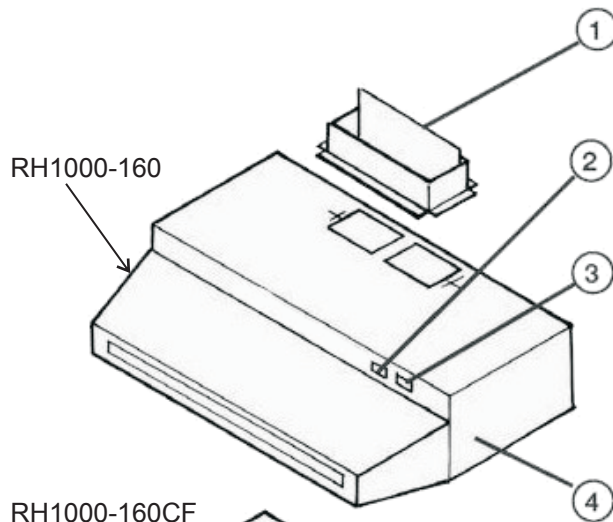




**RH1000-160, RH1000-160CF**

**PARTS LIST**



REFERENCE	DESCRIPTION	PART NO.	
1	Outlet Damper	010271	
2	Light Switch	014011	
3	Fan Switch	014012	
4	Housing 24"	010259	
	Housing 30"	010261	
5	Socket	014008	
6	Blade	013281	
7	Motor	013007	
8	Motor Bracket	011118	
9	Charcoal Filter	4050	
10	Grease Filter	4046	
11	Nut	014016	
12	Grease Filter Clamp	018112	

**Reversomatic Manufacturing Ltd.**

790 Rowntree Dairy Road, Woodbridge, ON Canada L4L 5V3 • Tel: 905-851-6701 • Fax: 905-851-8376  
www.reversomatic.com • info@reversomatic.com