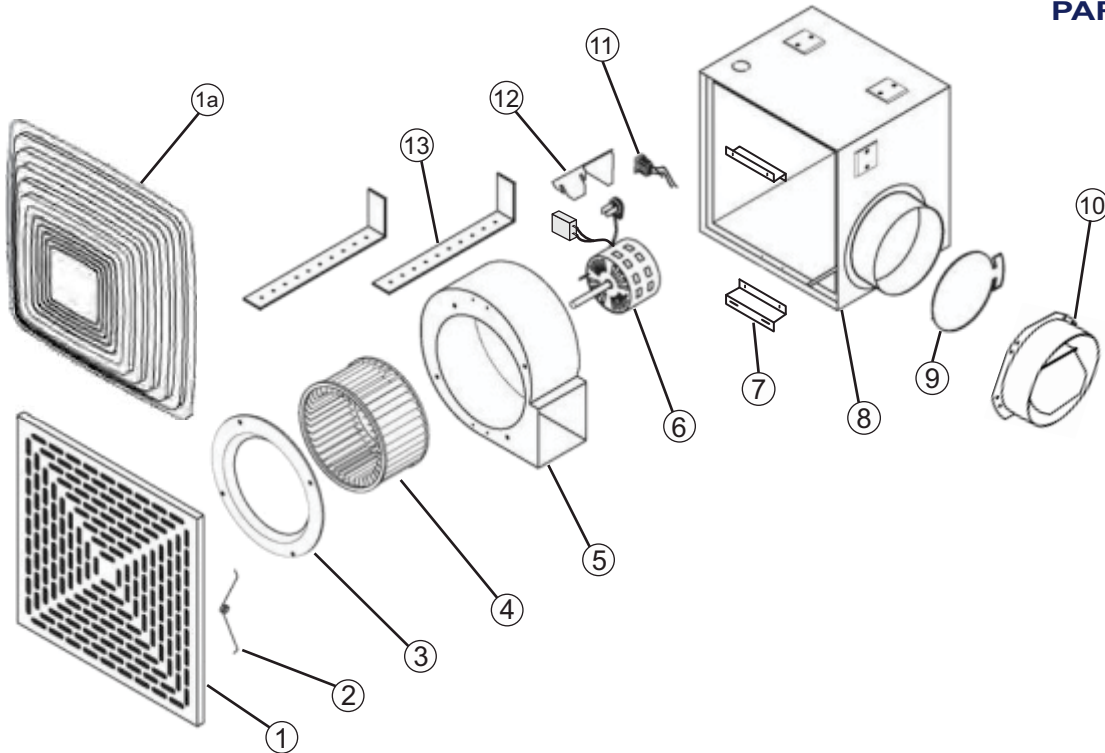




QB-140, QCF-150(CFS-150 US model), QK-160ES, QK-180ES

PARTS LIST



REFERENCE	DESCRIPTION	PART NO.	
1	Grille Aluminum (Painted)	011184	
1a	Grille Plastic (Hi-Impact Styrene)	014192	
2	Torsion Spring	014004	
3	Cover Plate / Ring	011082	
4	Blower Wheel QCF150, QB140	013212	
	Blower Wheel QK160ES, QK180ES	013284	
5	Blower Housing QCF150, QB140	010224	
	Blower Housing QK160ES, QK180ES	010230	
6	Motor QCF150, QB140	013029	
	Motor QK160ES	013035	
	Motor QK180ES	013036	
7	Blower Mtg. Bracket	011072	
8	Housing QCF150, QB140	4167	
	Housing QK160ES, QK180ES	4301	
9	Neoprene Damper	014036	
10	5" dia. Plastic Backdraft Damper QCF150, QB140, QK160ES	PBD5	
	6" dia. Plastic Backdraft Damper QK180ES	PBD6	
11	Receptacle	014001	
12	Electrical Box / Cover	011204	
13	Hanging Bracket	011135	