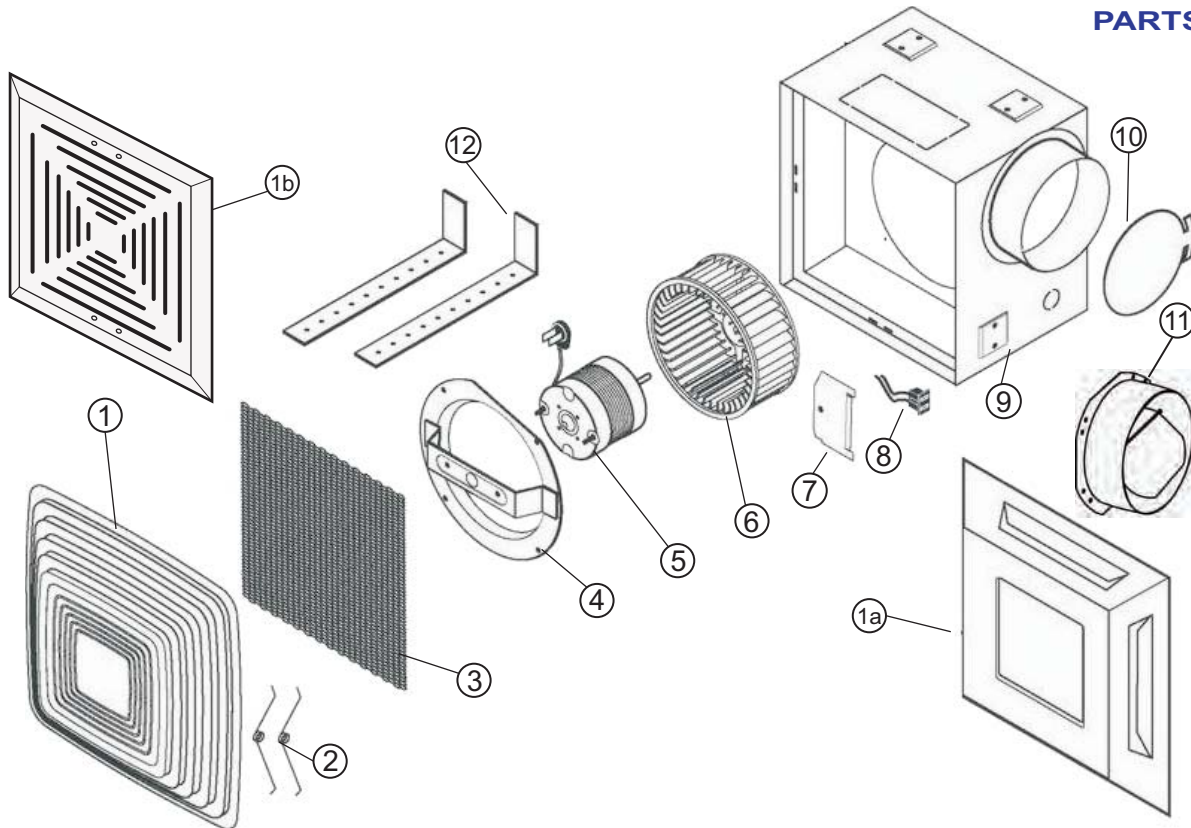




# REVERSOMATIC

## K-100 (QB-120 US Model), QK-100 (QB-150 US Model)

### PARTS LIST



REFERENCE	DESCRIPTION	PART NO.	
1	Grille plastic (Hi-Impact Styrene)	014191	
1a	Grille Aluminum (Painted White)	011056	
1b	Grille (Painted White)	011104	
2	Torsion Spring	014004	
3	Filter (No Frame)	014067	
4	Motor Bracket K100	010232	
	Motor Bracket QK100	010234	
5	Motor K100	013018	
	Motor QK100	013020	
6	Blower Wheel K100	013207	
	Blower Wheel QK100	013211	
7	Cover Plate	011141	
8	Receptacle	014001	
9	Housing K100	4108	
	Housing QK100	010105	
10	Neoprene Damper	014034	
11	4" dia. Plastic Backdraft Damper	PBD4	
12	Mounting Bracket	011135	

Reversomatic Manufacturing Ltd.

790 Rowntree Dairy Road, Woodbridge, ON Canada L4L 5V3 • Tel: 905-851-6701 • Fax: 905-851-8376  
[www.reversomatic.com](http://www.reversomatic.com) • [info@reversomatic.com](mailto:info@reversomatic.com)