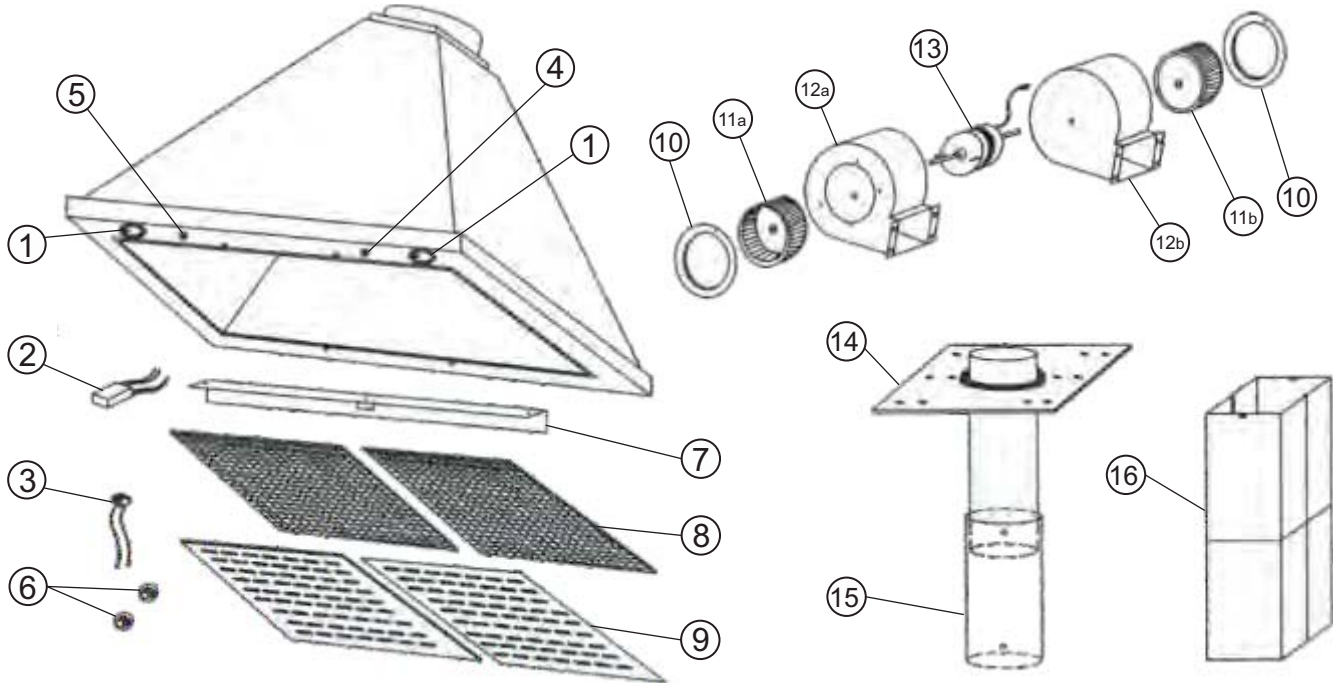




**PARTS LIST**



REFERENCE	DESCRIPTION	PART NO.	
1	Puck Light (2) - 12V, 20W	014005	
2	Transformer for Puck Light - 12V, 20W	014017	
3	Receptacle	014001	
4	Fan Motor Speed Control	014003	
5	Light ON/OFF Switch	014010	
6	Knob (2)	014015	
7	Electrical Cover	010205	
8	Aluminum Mesh Grease Filter (2)	4044	
9	Inlet Grille (2)	010203	
10	Inlet Ring (2)	011081	
11a	Blower Wheel (CCW) - 300 CFM	013203	
11b	Blower Wheel (CW) - 300 CFM	013204	
11a	Blower Wheel (CW) - 400 CFM	013223	
11b	Blower Wheel (CCW) - 400 CFM	013224	
12a	Blower Housing (CW) - 300 CFM	010310	
12b	Blower Housing (CCW) - 300 CFM	010311	
12a	Blower Housing (CW) - 400 CFM	010312	
12b	Blower Housing (CCW) - 400 CFM	010313	
13	Motor CHI-36-300	013030	
	Motor CHI-36-400	013058	
14	8" dia. Steel Extension Pipe c/w Steel Support Bracket	010212	
15	8" dia. Steel Extension Pipe	010213	
16	Finishing Duct / Extension Duct	010206	

**Reversomatic Manufacturing Ltd.**

790 Rowntree Dairy Road, Woodbridge, ON Canada L4L 5V3 • Tel: 905-851-6701 • Fax: 905-851-8376  
www.reversomatic.com • info@reversomatic.com