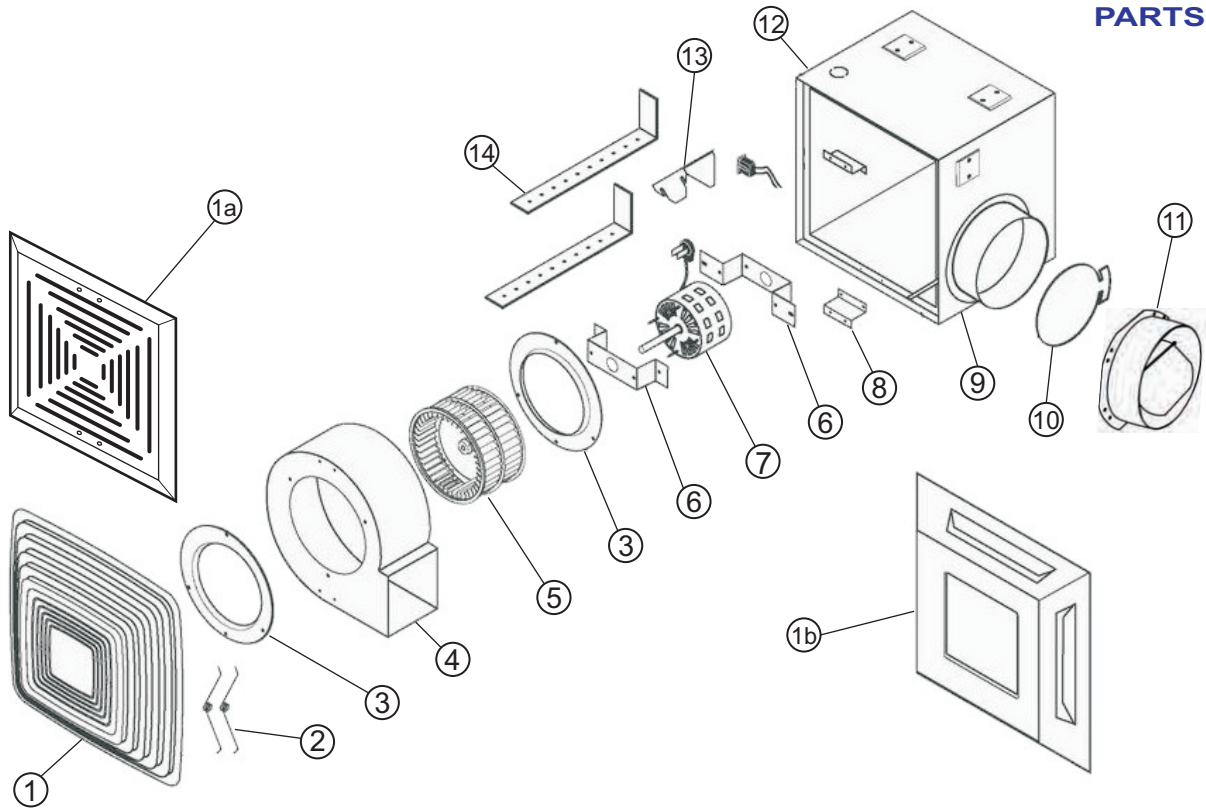




REVERSOMATIC

CF-170 (QCF-170 US model), CF-170ES, CF-170BC

PARTS LIST



REFERENCE	DESCRIPTION	PART NO.	
1	Grille Plastic (Hi-Impact Styrene)	014191	
1a	Grille (Painted White)	011056	
1b	Grille Aluminum (Painted White)	011104	
2	Torsion Spring	014004	
3	Cover Plate / Ring	011081	
4	Blower Housing	010220	
5	Blower Wheel	013283	
6	Top / Bottom Motor Bracket	011123	
7	Motor CF170	013001	
	Motor CF170ES / BC	013044	
8	Blower Mtg. Bracket	011071	
9	Housing	4160	
10	Neoprene Damper	014035	
11	5" dia. Plastic Backdraft Damper	PBD5	
12	Receptacle	014001	
13	Electrical Box / Cover	011143	
14	Hanging Bracket	011135	

Reversomatic Manufacturing Ltd.

790 Rowntree Dairy Road, Woodbridge, ON Canada L4L 5V3 • Tel: 905-851-6701 • Fax: 905-851-8376
www.reversomatic.com • info@reversomatic.com