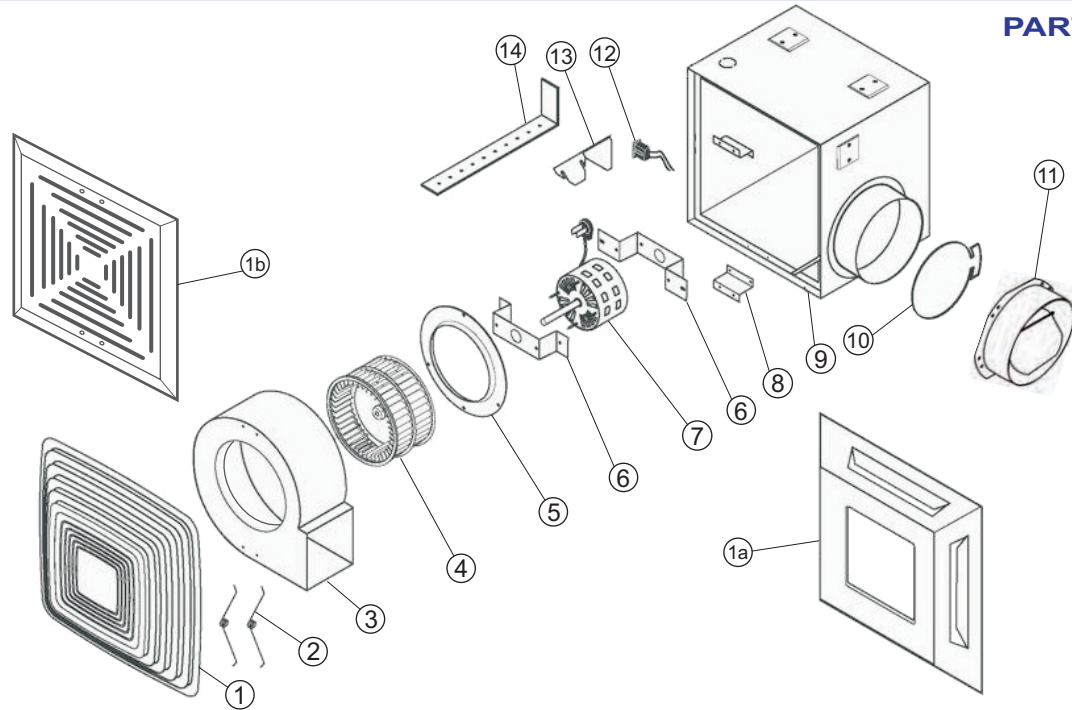




REVERSOMATIC

CF-130 (QB-130 US model), QCF-110, QCF-110ES

PARTS LIST



REFERENCE	DESCRIPTION	PART NO.	
1	Grille Plastic (Hi-Impact Styrene)	014191	
1a	Grille (Painted White)	011056	
1b	Grille Aluminum (Painted White)	011104	
2	Torsion Spring	014004	
3	Blower Housing	010220	
4	Blower Wheel	013202	
5	Cover Plate / Ring	011081	
6	Top/Bottom 2.25 Motor Brackets	011110	
7	Motor CF130	013003	
	Motor QCF110	013008	
	Motor QCF110ES	013001	
8	Blower Mtg. Bracket	011071	
9	Housing QCF110, CF130	4160	
	Housing QCF110ES	4202	
10	5" dia. Plastic Backdraft Damper	PBD5	
11	Neoprene Damper	014035	
12	Receptacle	014001	
13	Electrical Box / Cover	011143	
14	Mounting Bracket	011135	

Reversomatic Manufacturing Ltd.

790 Rowntree Dairy Road, Woodbridge, ON Canada L4L 5V3 • Tel: 905-851-6701 • Fax: 905-851-8376
www.reversomatic.com • info@reversomatic.com