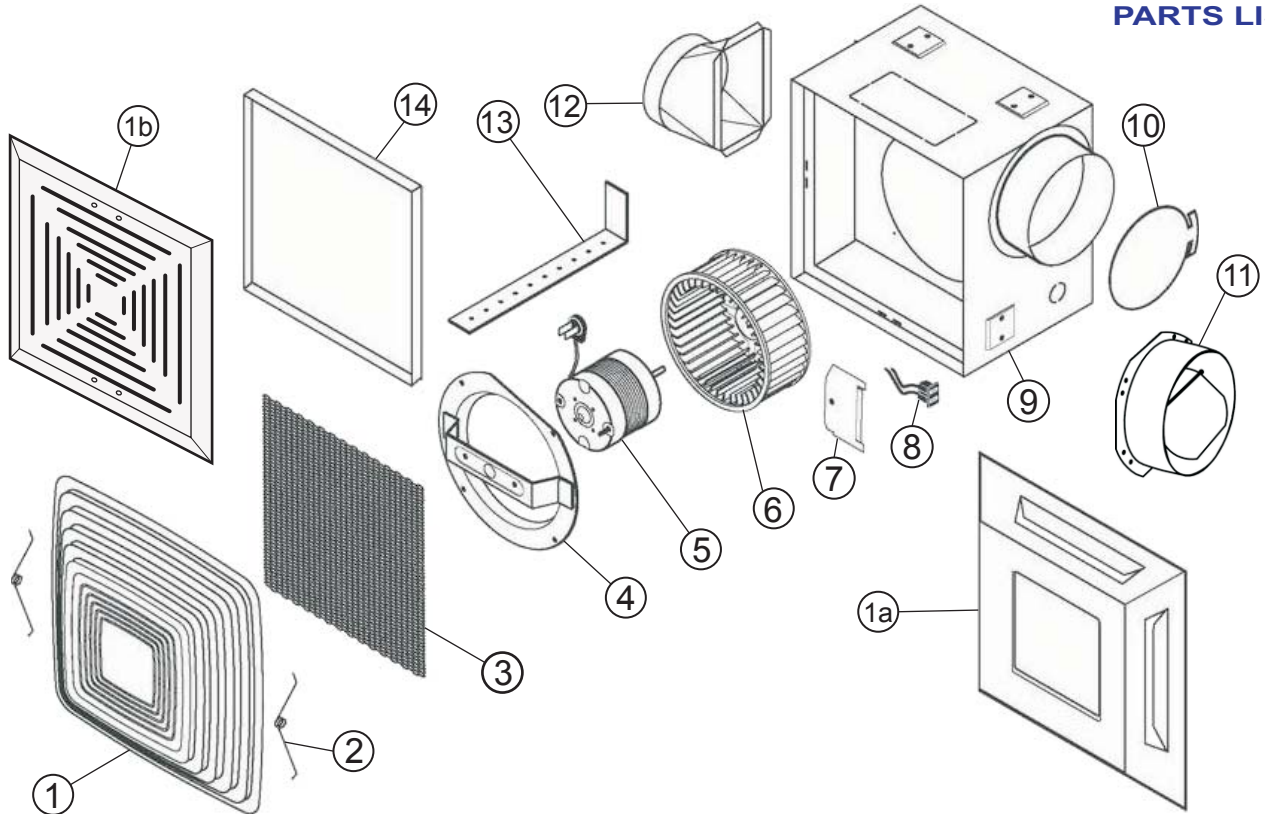




PARTS LIST



REFERENCE	DESCRIPTION	PART NO.	
1	Grille Plastic (Hi-Impact Styrene)	014191	
1a	Grille (Painted White)	011056	
1b	Grille Aluminum (Painted White)	011104	
2	Torsion Spring	014004	
3	Filter - No Frame	014067	
4	Motor Bracket	010234	
5	Motor BK100	013024	
6	Blower Wheel BK100	013211	
7	Cover Plate	011141	
8	Receptacle	014001	
9	Housing	010105	
10	Neoprene Damper	014035	
11	5" dia. Plastic Backdraft Damper	PBD5	
12	Transition (In-line)	BK100T-05	
13	Hanging Bracket	011135	
14	S. Plate (In-line)	011126	

Reversomatic Manufacturing Ltd.