



ECM CONSTANT FLOW TECHNOLOGY

RCF100-3

SUPER QUIET MULTI SPEED ECM CONSTANT FLOW BATHROOM EXHAUST FAN

The RCF100-3 fan is designed to deliver constant CFM up to 1" static pressure at any floors on high-rise buildings regardless the chimney effects. This fan is equipped with an Electronically Commutated Motorized DC brush-less motorized Impeller with a built-in (0-10V DC) Potentiometer to provide multiple speed to get desired CFM. It also features with uniquely designed mounting slots for easy installation on concrete ceiling or wooden joints. The fan constructed from corrosion resistant heavy gauge satin coat steel.



Plastic Backdraft Damper

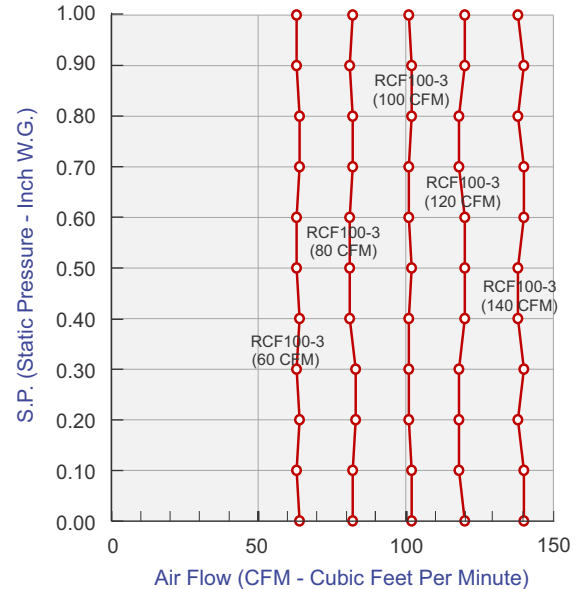
Standard:
White High Impact Styrene Grille (13.5" x 13.5")

Aluminum Louvered Grille (13" x 13")

Optional Grilles:
Slotted White Grille

Louvered Grille (13" x 13")

RCF100-3 FAN DATA



ACCESSORIES

Standard:

- 0-10V DC Potentiometer
- Insulated housing
- Hi-Impact Polystyrene / Aluminum Louvered grille
- Mounting brackets
- Metal collar with neoprene damper / Plastic backdraft damper

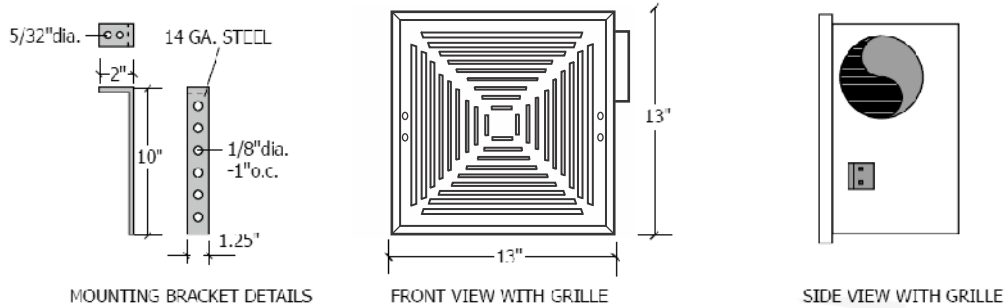
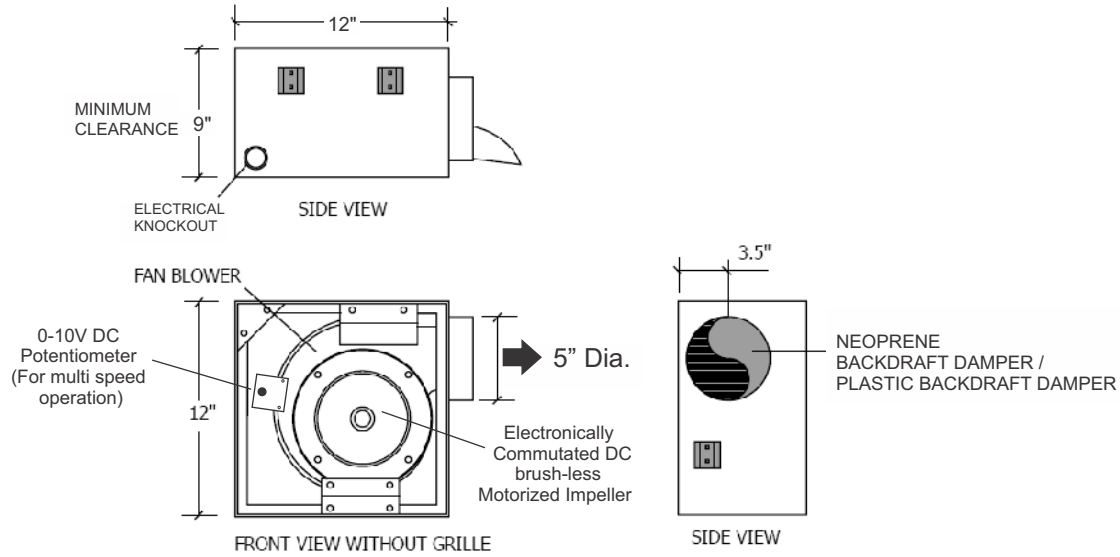
Optional:

- Aluminum backdraft damper
- Slotted white grille
- Aluminum Louvered grille



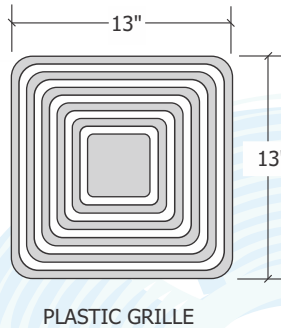
Reversomatic Manufacturing Ltd.

790 Rowntree Dairy Road, Woodbridge, ON Canada L4L 5V3 • Tel: 905-851-6701 • Fax: 905-851-8376
www.reversomatic.com • info@reversomatic.com



HVI CERTIFIED RATINGS

MODEL	@ 0.10" S.P		
	WATTS	CFM	SONES
RCF100-3	8	60	0.5
	10	80	1.0
	15	100	1.5



FAN DATA

MODEL	MOTOR 120 VAC 60 Hz				CUBIC FEET PER MINUTE											
	RPM	AMPS	WATTS	S.P	0.00	0.10	0.20	0.25	0.30	0.40	0.50	0.60	0.70	0.80	0.90	1.00
RCF-100-3	1800	0.50	28	CFM	64	63	64	64	63	64	63	63	64	64	63	63
	2200	0.60	45	CFM	82	82	83	83	83	81	81	81	82	82	81	82
	2800	0.80	50	CFM	102	102	101	101	101	101	102	101	101	102	102	101
	3050	1.00	64	CFM	120	118	118	118	118	120	120	120	118	118	120	120
	3300	1.20	73	CFM	140	140	138	139	140	138	138	140	140	138	140	138

RPM (Revolution Per Minute) shown is nominal and performance is based on actual speed of test.
 Unit was tested with inlet grille, backdraft damper and outlet duct.
 All S.P. in inch W.G.

Contractor:		RCF100-3		
Architect:	Job:	Date	Supersedes	Drawing No.
Engineer:	Date Submitted:	2020/07/20		