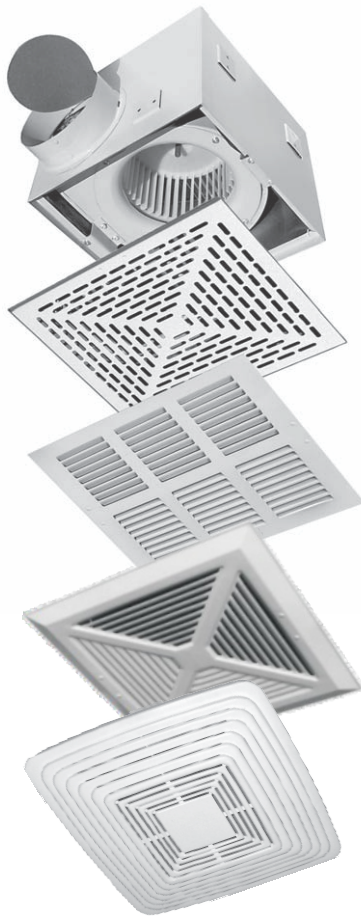




SUPER QUIET EXHAUST FANS

The QK-160E and QK-180E fans are designed for high performance and super quiet operation. These fans are equipped with uniquely designed mounting slots that allow for easy installation on concrete ceiling or wooden joists. These fans are constructed with corrosion resistant, heavy gauge satin coat steel. The QK-160E fan is also suitable for kitchen exhaust with a grease filter.



Hi-Impact Polystyrene Collar

Standard Slotted White Grille

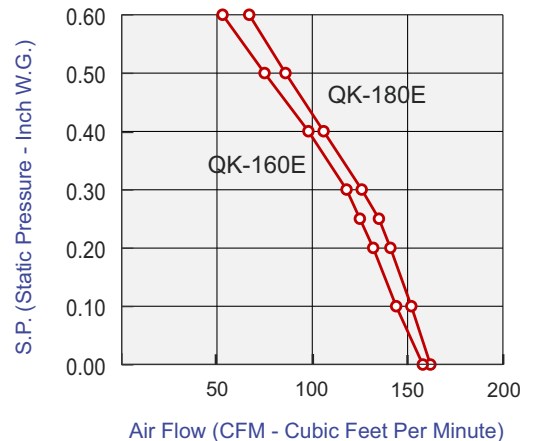
Optional Grilles:

Louvered Grille (13" x 13")

Aluminum Louvered Grille (13" x 13")

White High Impact Styrene Grille (13.5" x 13.5")

QK-160E & QK-180E FAN DATA



ACCESSORIES

Standard:

- Insulated housing
- Slotted white grille
- Mounting brackets
- Metal collar with neoprene damper

Optional:

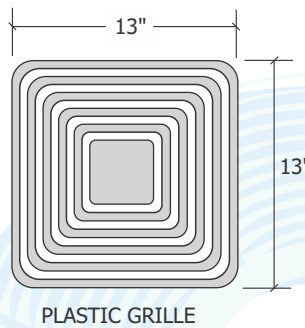
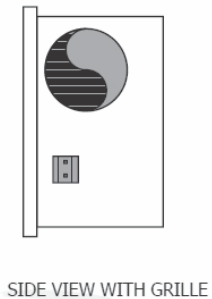
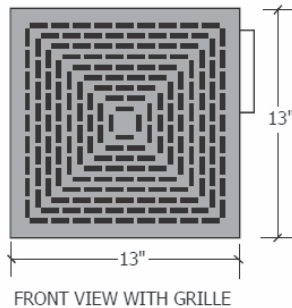
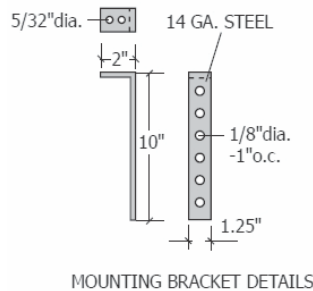
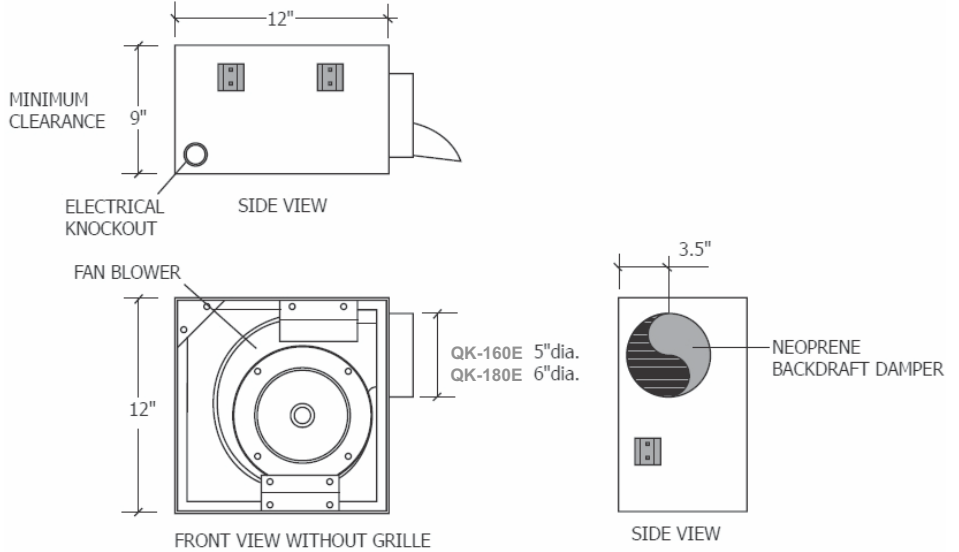
- Variable speed control
- Aluminum backdraft damper
- Hi-Impact Polystyrene Collar
- Aluminum mesh grease filter (QK-160E)



QK-180E

Reversomatic Manufacturing Ltd.

790 Rowntree Dairy Road, Woodbridge, ON Canada L4L 5V3 • Tel: 905-851-6701 • Fax: 905-851-8376
www.reversomatic.com • info@reversomatic.com



HVI CERTIFIED RATING

MODEL	SONES	CFM
QK-160E	2.0	140 CFM @ 0.10" S.P
QK-180E	2.0	150 CFM @ 0.10" S.P

FAN DATA

MODEL	MOTOR 120 VAC 60 Hz			CUBIC FEET PER MINUTE									
	RPM	AMPS	WATTS	S.P	0.00	0.10	0.20	0.25	0.30	0.40	0.50	0.60	0.70
QK-160E	1000	0.35	40	CFM	158	144	132	125	118	98	75	53	-
QK-180E	1050	0.40	42	CFM	162	152	141	135	126	106	86	67	51

RPM (Revolution Per Minute) shown is nominal and performance is based on actual speed of test.

Unit was tested with inlet grille, backdraft damper and outlet duct.

All S.P. in inch W.G.

Contractor:				QK-160E, QK-180E			
Architect:		Job:		Date	Supersedes	Drawing No.	
Engineer:		Date Submitted:		2020/07/17			

Reversomatic Manufacturing Ltd.

790 Rowntree Dairy Road, Woodbridge, ON Canada L4L 5V3 • Tel: 905-851-6701 • Fax: 905-851-8376
www.reversomatic.com • info@reversomatic.com