



SMP-260, SMP-350

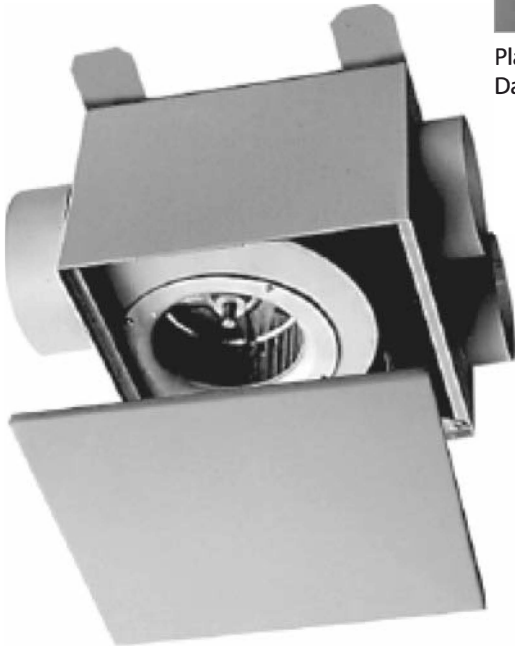
May, 2020

SUPER QUIET IN-LINE EXHAUST FAN

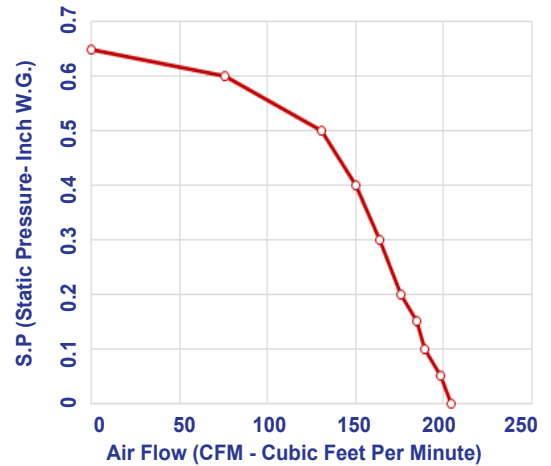
SMP universal exhaust system was designed to move large volume of air under severe static pressure conditions. Its housing consists of heavy duty insulated satin coat galvanized steel finish, which successfully lowers noise levels. This fan features a compact housing and is only 8" high (model SMP-260) or 9" (model SMP-350) which simplifies installation in those tight ceiling spaces. They also meet Washington State Ventilation and Indoor Air Quality Code.



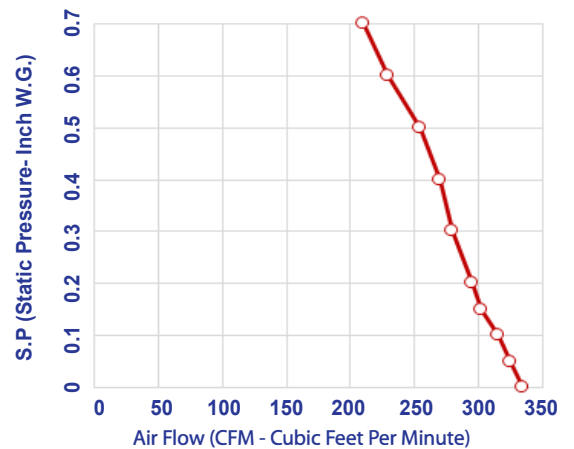
Plastic backdraft Damper



SMP-260 FAN DATA



SMP-350 FAN DATA



ACCESSORIES

Standard:

- Insulated cabinet
- Mounting brackets
- Plastic backdraft damper or metal collar with neoprene damper

Optional:

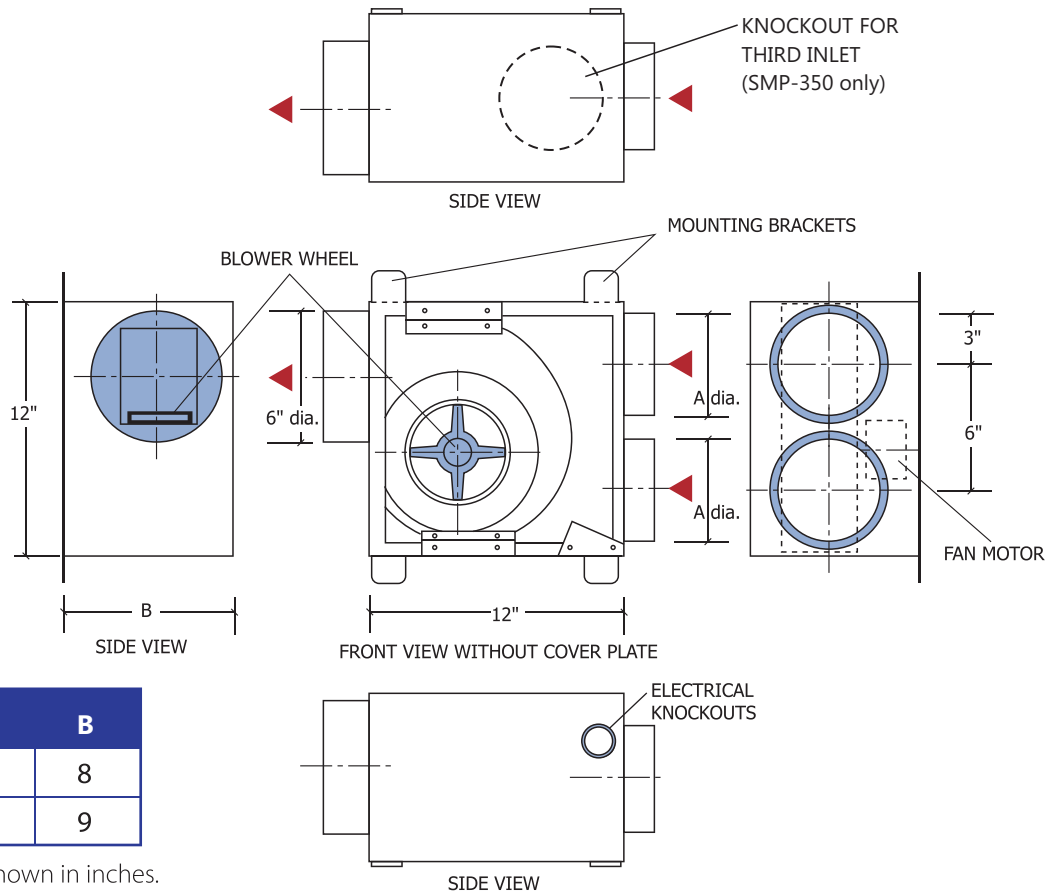
- Balance box
- Variable speed control
- Aluminum backdraft damper



Reversomatic Manufacturing Ltd.

790 Rowntree Dairy Road, Woodbridge, ON Canada L4L 5V3 • Tel: 905-851-6701 • Fax: 905-851-8376
www.reversomatic.com • info@reversomatic.com

SMP-260, SMP-350



MODEL	A	B
SMP-260	5	8
SMP-350	5	9

All dimensions are shown in inches.

HVI CERTIFIED RATINGS

MODEL	CFM @0.20" S.P.
SMP-260	170
SMP-350	290

FAN DATA

MODEL	MOTOR 120VAC 60Hz			CUBIC FEET PER MINUTE										
	RPM	AMPS	HP	S.P.	0.00	0.05	0.10	0.15	0.20	0.30	0.40	0.50	0.60	0.70
SMP-260	1550	1.9	1/16	CFM	204	198	189	185	176	164	150	131	76	—
SMP-350	1550	3.3	1/16	CFM	335	325	315	305	295	280	270	255	230	210

RPM (Revolution Per Minute) shown is nominal and performance is based on actual speed of test. Unit was tested with inlet bell, backdraft damper and outlet duct.

Contractor:		SMP-260, SMP-350		
Architect:	Job:	Date	Supersedes	Drawing NO.
Engineer:	Date Submitted:	25/05/2020		

Reversomatic Manufacturing Ltd.

790 Rowntree Dairy Road, Woodbridge, ON Canada L4L 5V3 • Tel: 905-851-6701 • Fax: 905-851-8376
www.reversomatic.com • info@reversomatic.com