

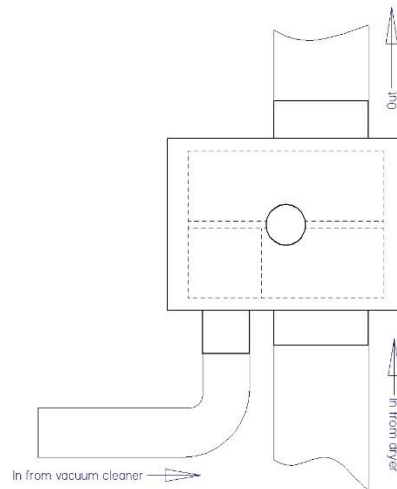
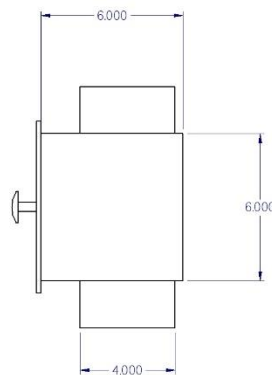
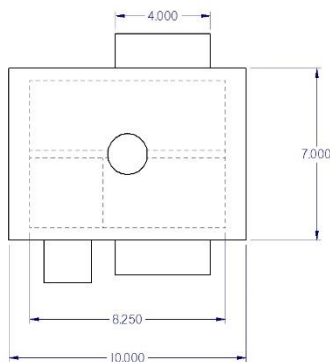
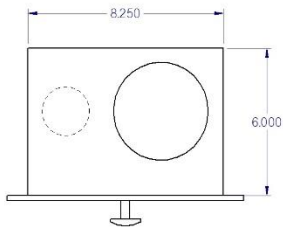


**LINT TRAP - DRYER AND
VACUUM CLEANER COMBO
SURFACE MOUNTED**

LT-250V is equipped with filter frame attached to the removable door for easy operation.
Model LT250V-45 lint trap has 4" dia. inlet for dryer connection and 5" dia. outlet for better performance.
Also available in 4" dia. outlet (Model # LT-250V-44).
Please specify when ordering.



DIMENSIONS:

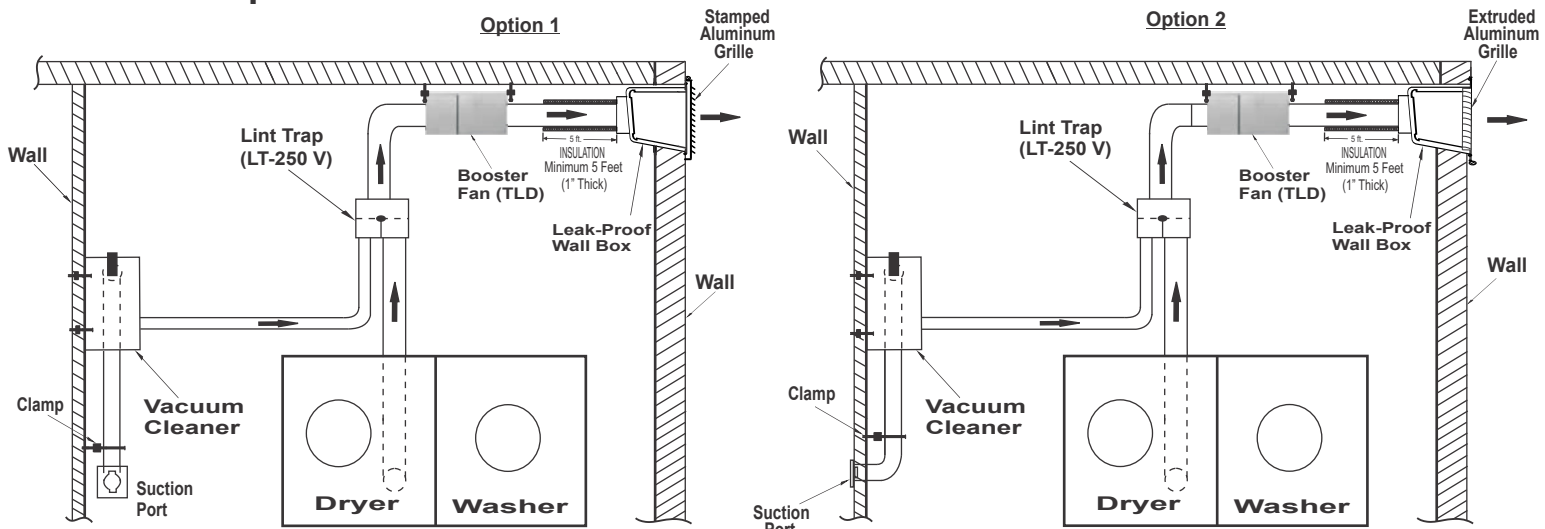


Contractor:		LT-250V		
Architect:	Job:	Date	Supersedes	Drawing No.
Engineer:	Date Submitted:	OCT 09 2019		

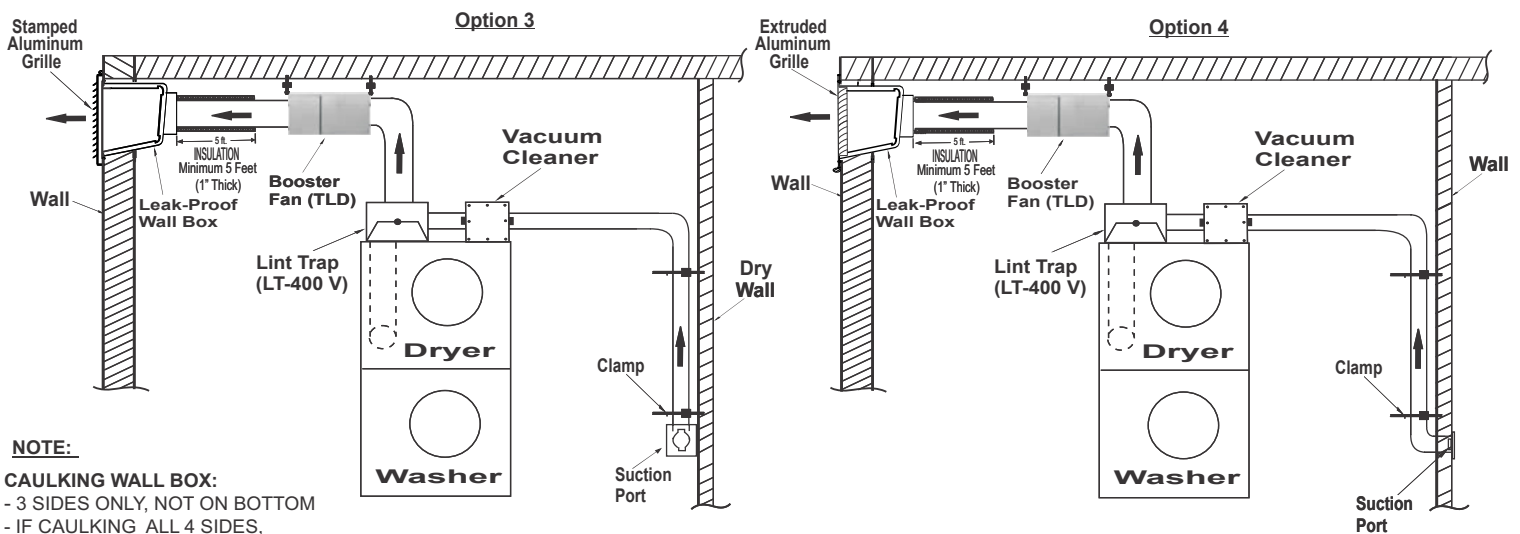
INSTALLATION



Installation Options:



“ON” and Dryer must be “OFF”.



NOTE:

- CAULKING WALL BOX:
- 3 SIDES ONLY, NOT ON BOTTOM
- IF CAULKING ALL 4 SIDES,
- MUST HAVE DRAINING HOLES.