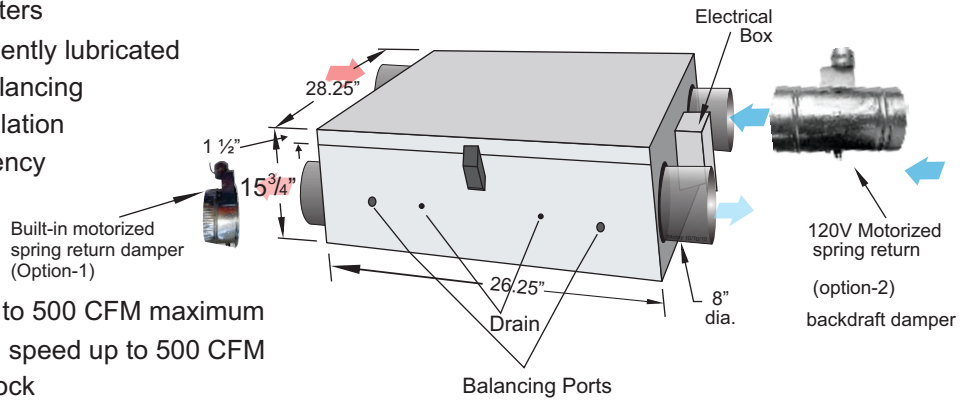




**Features**

- Over all size 28.25" (W) x 26.25" (D) x 15.75" (H)
- Power ratings: 115V / 1 / 60 Hz, 5.2 Amp., Standby current is 7W only
- Washable Polypropylene core and Filters
- High efficiency energy saving permanently lubricated variable speed PSC motors for air balancing
- Suitable for horizontal & vertical installation
- Tilted core design for maximum efficiency
- Automatic fan cycled defrost
- Exhaust up to four washrooms
- Suitable for Corridor
- Two Speed exhaust (High / Low) - up to 500 CFM maximum
- Continuous fresh air supply at Normal speed up to 500 CFM
- Furnace / Fan-coil / Heat Pump Interlock
- Dual Protection: If exhaust fan fails, the outside fresh-air supply will be closed by shutting off supply motor and the relay contact for motorized damper and interlock will be opened. Fan Coil/Furnace low speed will be stopped and at normal operation no air will enter into the system
- In case of power failure, optional motorized spring return damper stops the fresh air intake and prevent core from freezing
- Weight approximately 100 lbs., 2 years warranty on parts

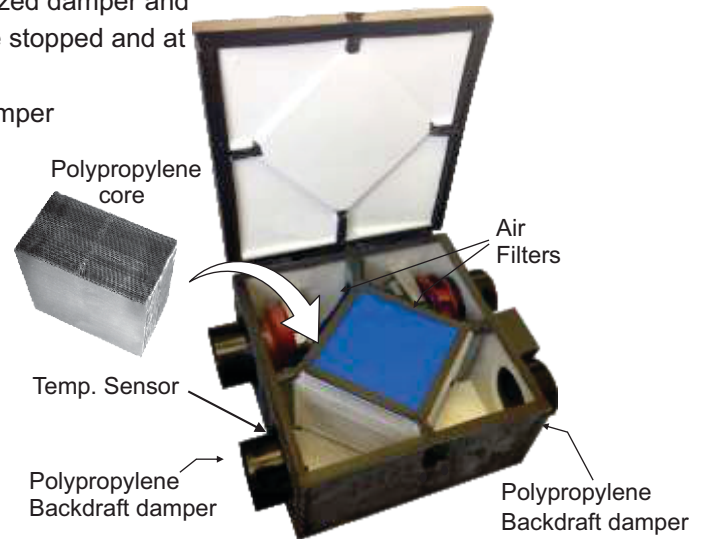


**Accessories (Included):**

- Mounting brackets and Drain plugs

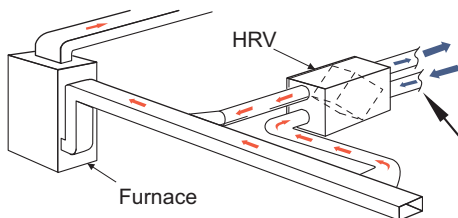
**Optional:**

- Motorized Damper (120V AC), option 1 & 2
- Dehumidistat
- Pipe and "T" connector
- Time Delay Switch (120V AC)
- 2 sets (Webbing/Brackets/Ladder lock)
- Intermittent Switch (5VDC)
- Push button timer switch (20/40/60 Min., 5VDC)

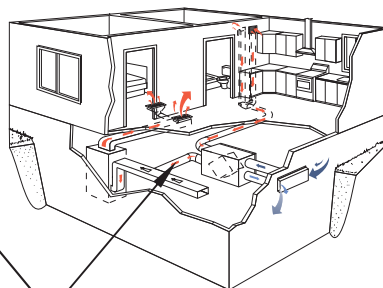


**Installation Options for house**

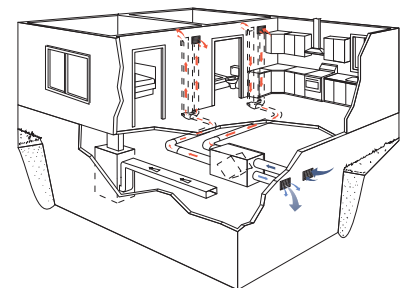
**Furnace Return Air-duct Connection**



**Semi Ducted System**



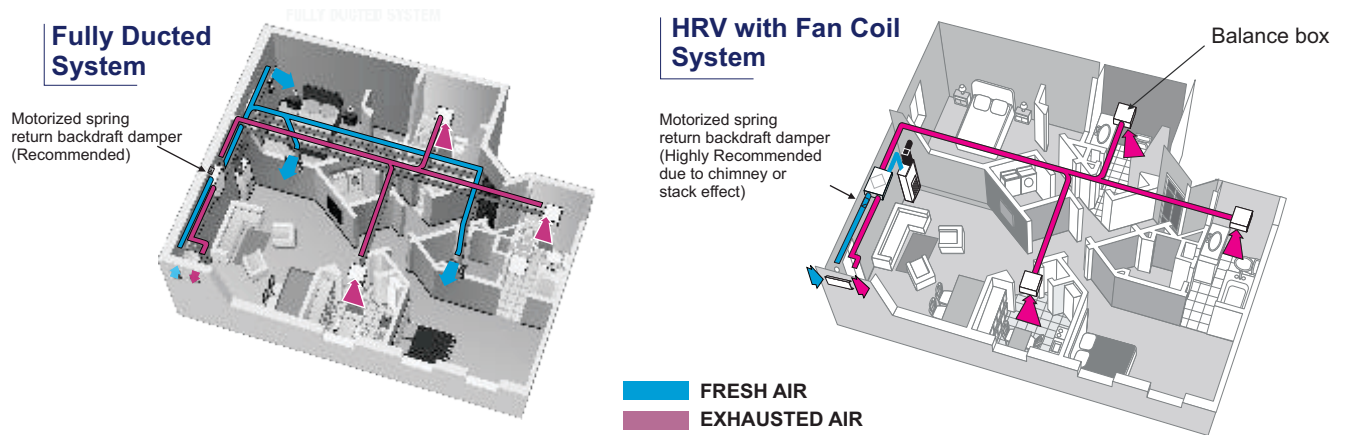
**Fully Ducted System**



Motorized spring return damper (Highly Recommended)



## Installation Options for High-Rise Condominium



## VENTILATION PERFORMANCE

| Model #    | Normal Speed Supply/Exhaust (Constant Ventilation) | High Speed Exhaust (Activated by switch) | Maximum Power Rating 120V / 1 / 60Hz |
|------------|--|--|--------------------------------------|
| RHRV-S500P | 100 ~ 500 CFM variable                             | 100 ~ 500 CFM variable                   | 5.20 Amp.                            |

### SOUND:

|                              |           |
|------------------------------|-----------|
| 30 (L/s)<br>@ 0.2 (IN. W.G.) | 2.2 sones |
|------------------------------|-----------|

\*Normal and high speed can be adjusted by either installer or factory using speed controllers mounted on the main controller of the unit.

## ENERGY PERFORMANCE

| RHRV-S500P |     | Supply Temperature |    | Net Airflow |     | Supply / Exhaust Flow Ratio | Average Power (Watts) | Sensible Recovery Efficiency | Apparent Sensible Effectiveness | Net Moisture Transfer |
|------------|-----|--------------------|----|-------------|-----|-----------------------------|-----------------------|------------------------------|---------------------------------|-----------------------|
|            |     | °C                 | °F | L/S         | CFM |                             |                       |                              |                                 |                       |
| Heating    | i   | 0                  | 32 | 24          | 50  | 1.01                        | 64                    | 72                           | 86                              | 0.01                  |
|            | ii  | 0                  | 32 | 32          | 67  | 1.06                        | 76                    | 71                           | 85                              | 0.02                  |
|            | iii | 0                  | 32 | 44          | 94  | 1.06                        | 90                    | 69                           | 78                              | 0.01                  |
|            | iv  | 0                  | 32 | 67          | 141 | 1.03                        | 118                   | 65                           | 74                              | 0.01                  |
|            | v   | 0                  | 32 | 121         | 257 | 1.02                        | 178                   | 61                           | 70                              | 0.01                  |
|            | vi  | 0                  | 32 | 177         | 376 | 1.05                        | 257                   | 57                           | 65                              | 0.01                  |
| Cooling    | vii |                    |    |             |     |                             |                       |                              |                                 |                       |

\*\* Indicate Total Recovery Efficiency not Sensible Recovery Efficiency

|             |                 |            |            |             |
|-------------|-----------------|------------|------------|-------------|
| Contractor: |                 | RHRV-S500P |            |             |
| Architect:  | Job:            | Date       | Supersedes | Drawing No. |
| Engineer:   | Date Submitted: | 05/10/20   |            | Rev. II     |

### Reversomatic Manufacturing Ltd.

790 Rowntree Dairy Road, Woodbridge, ON Canada L4L 5V3 • Tel: 905-851-6701 • Fax: 905-851-8376  
www.reversomatic.com • info@reversomatic.com