



**REVERSOMATIC**  
MANUFACTURING LIMITED

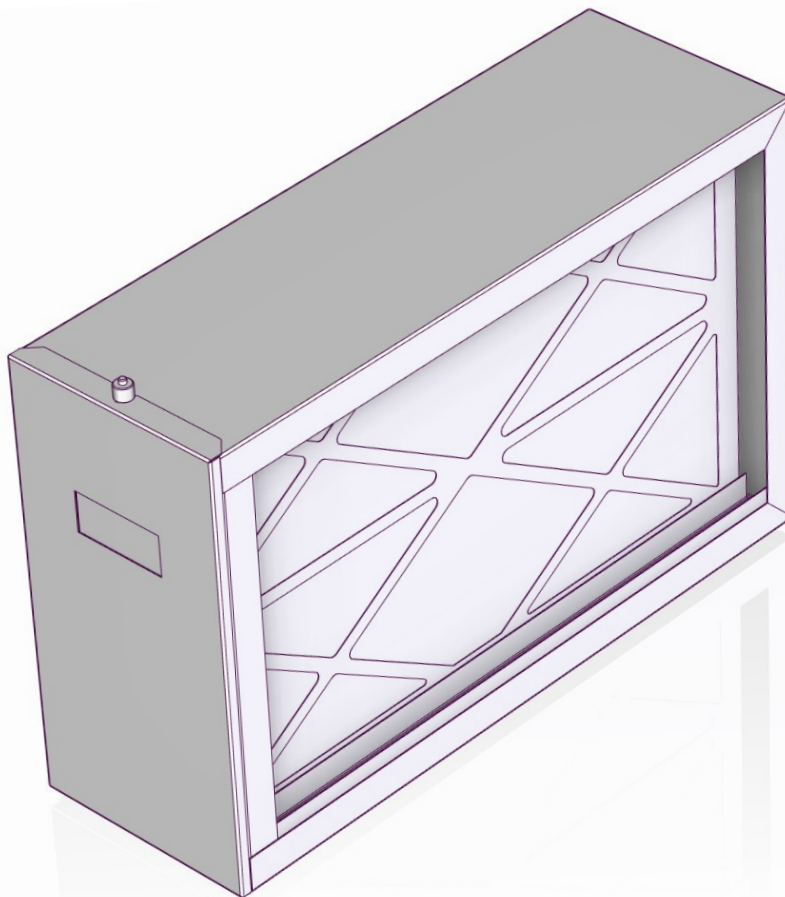
## **RF-200 MEDIA AIR CLEANER**

FEB 2019

**Models: RF-200-1625, RF-200-2025, RF-200-2020**

**WHOLE - HOUSE AIR FILTRATION, HELPING TO MAKE YOUR HOME:**

- Cleaner
- Healthier
- Safer
- More comfortable

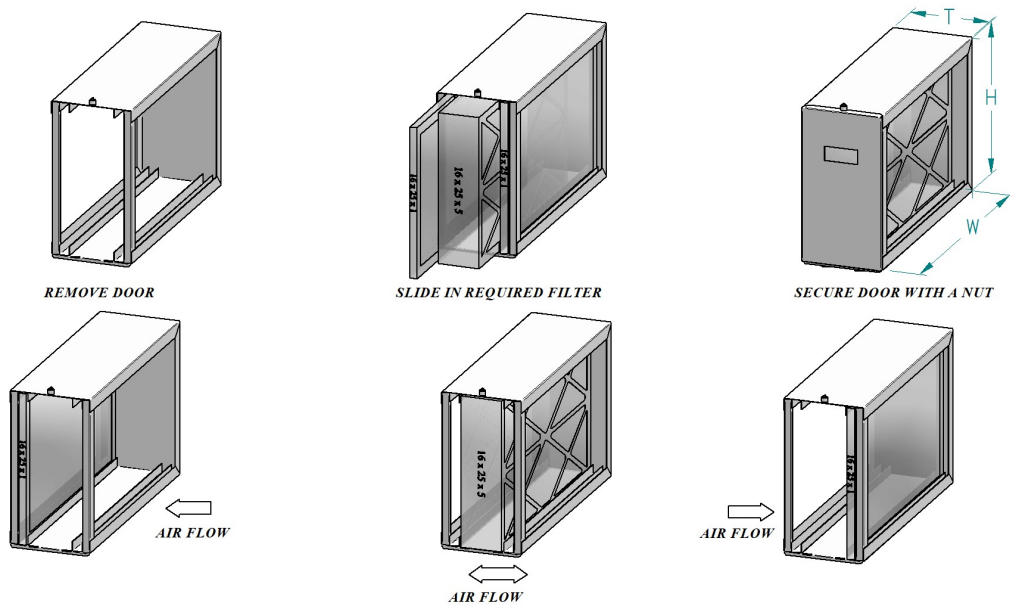


**Available in 11 to 14 merv with 3M filters**

Get cleaner indoor air now. Upgrade from your 1" filter to the Reversomatic RF-200 Media Air Filter Cleaner. RF-200 High-Capacity, High-Efficiency is up to 40 times more efficient than traditional 1" filters at removing airborne dust, pollen and other contaminants, that are potentially harmful to your health.

**Reversomatic Manufacturing Ltd.**

790 Rowntree Dairy Road, Woodbridge, ON Canada L4L 5V3 • Tel: 905-851-6701 • Fax: 905-851-8376  
www.reversomatic.com • info@reversomatic



MODEL	H	W	T	FILTERS SIZE		
RF-200-1625	16"	25"	8.5"	1" X 16" X 25"	or	5" X 16" X 25"
RF-200-2025	20"	25"	8.5"	1" X 20" X 25"	or	5" X 20" X 25"
RF-200-2020	20"	20"	8.5"	1" X 20" X 20"	or	5" X 20" X 20"

The Reversomatic high efficiency air cleaner housing is easily installed with any type of forced air heating/cooling system. Standard sheet metal procedures are followed and no special tools are required. The Reversomatic air cleaner housing is mounted in the Return Air Duct - horizontally, vertically, or at an angle as required.

The Reversomatic high efficiency air cleaner housing has two bays of 1" (can be for left or right installation) and one for 5" thick filter allowing better choice of installation for new construction. Continuous low speed air circulation is recommended for best results. Set the furnace blower to run constantly at low speed.

Protect your family's health by installing a quality Reversomatic® Air Cleaner.

Filter change:

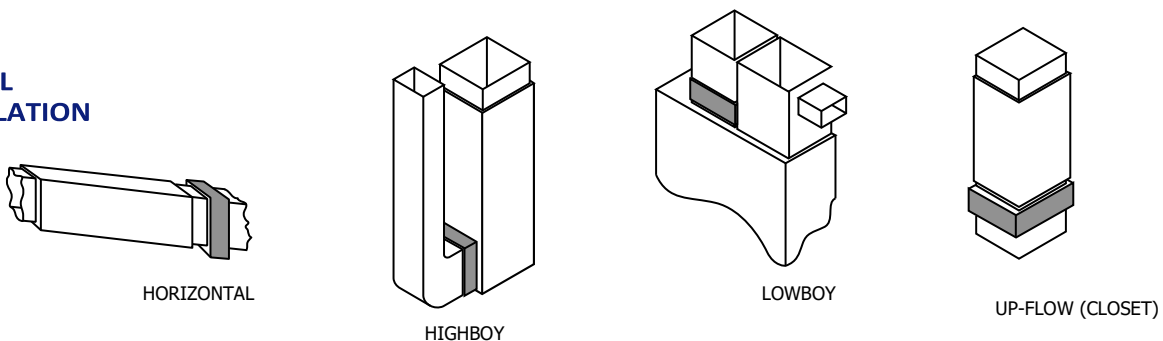
Vacation home or single occupant and no pets or allergies: every 6-12 months.

Average suburban home without pets: every 90 days.

Add a dog or cat: every 60 days.

Add more than one pet or anyone has allergies: 20-45 days.

**TYPICAL INSTALLATION**



Contractor:		RF-200 Media Air Cleaner		
Architect:	Job:	Date	Supersedes	Drawing NO.
Engineer:	Date Submitted:	Feb 28 2019		

**Reversomatic Manufacturing Ltd.**

790 Rowntree Dairy Road, Woodbridge, ON Canada L4L 5V3 • Tel: 905-851-6701 • Fax: 905-851-8376  
 www.reversomatic.com • [info@reversomatic.com](mailto:info@reversomatic.com)