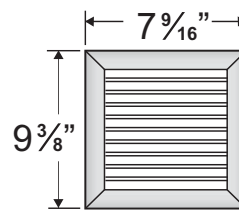
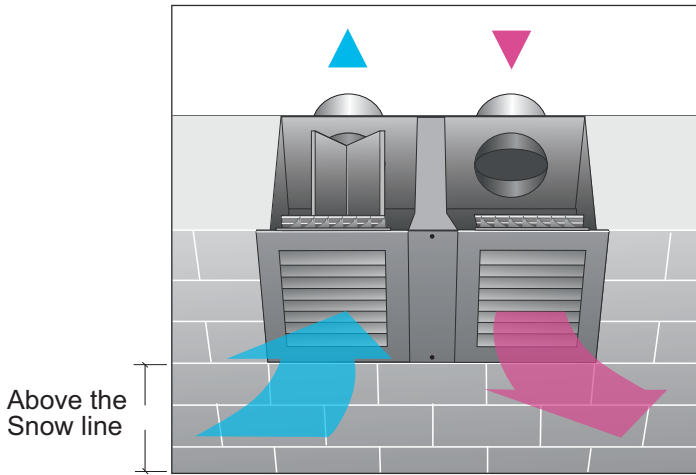


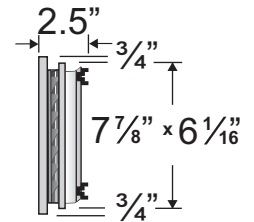


**HRV/ERV INTAKE AND EXHAUST VENTS**

**Double Vent (DVG-200) c/w extruded aluminum grilles**



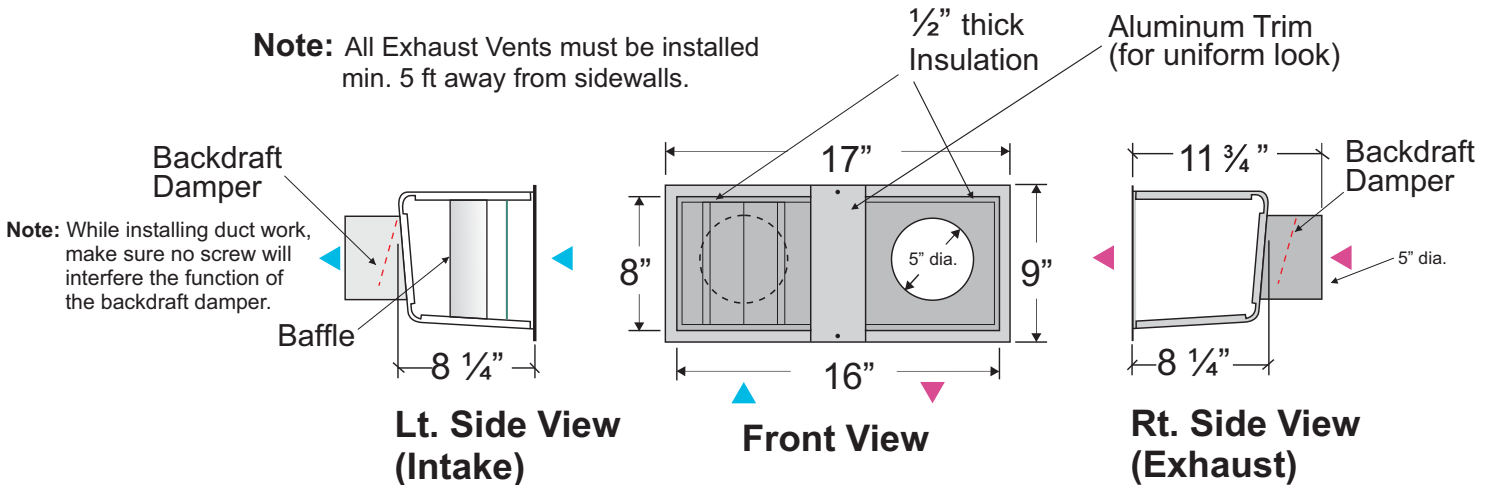
**Front View**



**Side View**

**Tested @ 400Pa according to ASTM E547-00 for water penetration test.**  
**Re-circulation Efficiency - 98% at 100 CFM.**  
**(Tested @ 5 - 10mph wind velocity with Reversomatic Extruded Aluminum Grille) 50% free area.**

**Note:** All Exhaust Vents must be installed min. 5 ft away from sidewalls.



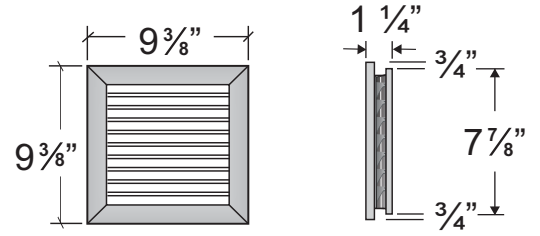
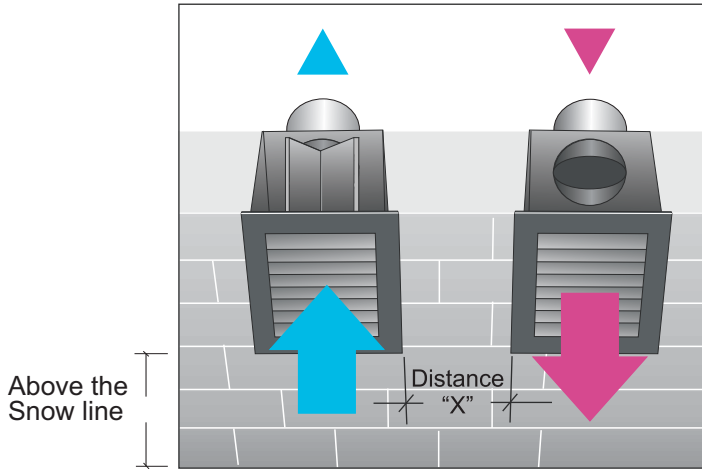
Contractor:		Double Vent (DVG-200)		
Architect:	Job:	Date	Supersedes	Drawing No.
Engineer:	Date Submitted:	01/16/19		

**Reversomatic Manufacturing Ltd.**

790 Rowntree Dairy Road, Woodbridge, ON, Canada L4L 5V3 • Tel: 905-851-6701 • Fax: 905-851-8376  
 www.reversomatic.com • info@reversomatic.com

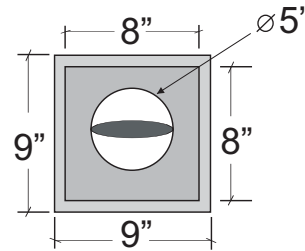


**Exhaust (SVE-50) & Intake (SVI-50)  
Single Vents c/w extruded aluminum grilles**



**Front View**

**Side View**

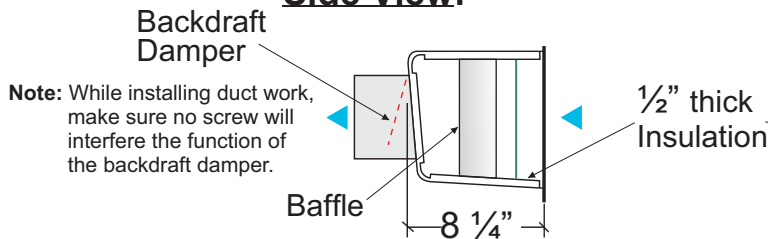


**Back View**

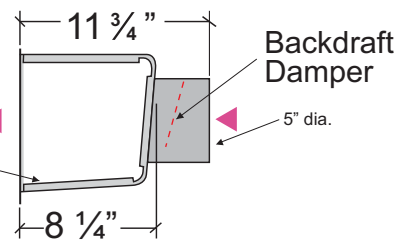
**Tested @ 400Pa according to  
ASTM E547-00 for water penetration test.  
Re-circulation Efficiency If distance  
"X" is 5ft - 97.5% "X" is 3ft - 95% at 100 CFM.  
(Tested @ 5-10 mph wind velocity with  
Reversomatic Extruded Aluminum Grille)**

**Intake Vent (SVI-50)**

**Side View:**



**Exhaust Vent (SVE-50)**

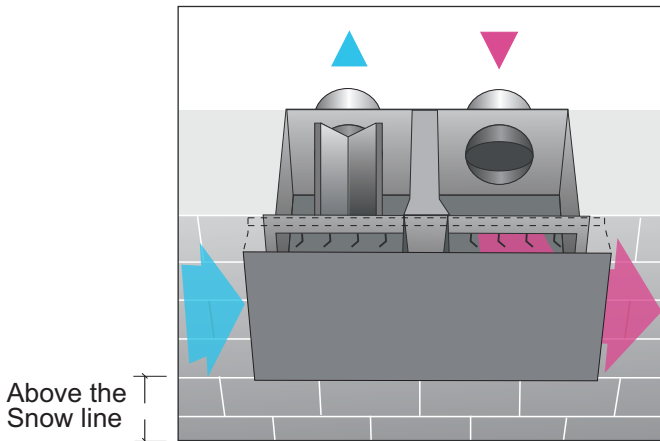


Contractor:		SVE-50 and SVI-50		
Architect:	Job:	Date	Supersedes	Drawing No.
Engineer:	Date Submitted:	01/16/19		

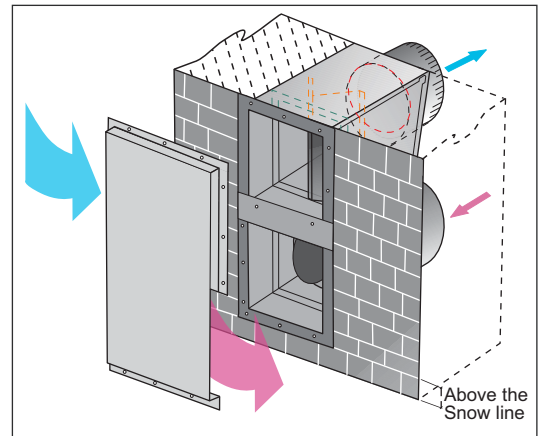


**HRV/ERV INTAKE AND EXHAUST VENTS**

**Double vent (DVS-100) c/w  
Side Exhaust / Intake hood**

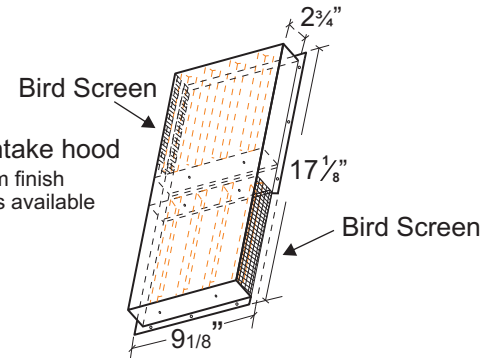
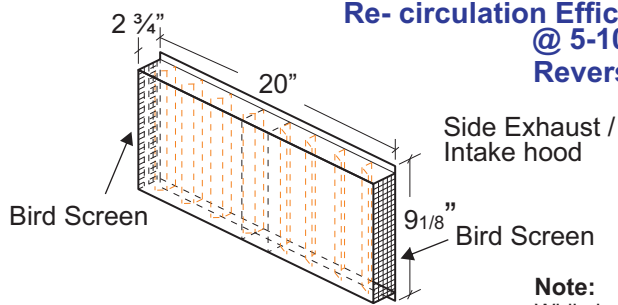


**Double vent (DVV-100) c/w  
Vertical Exhaust / Intake hood**



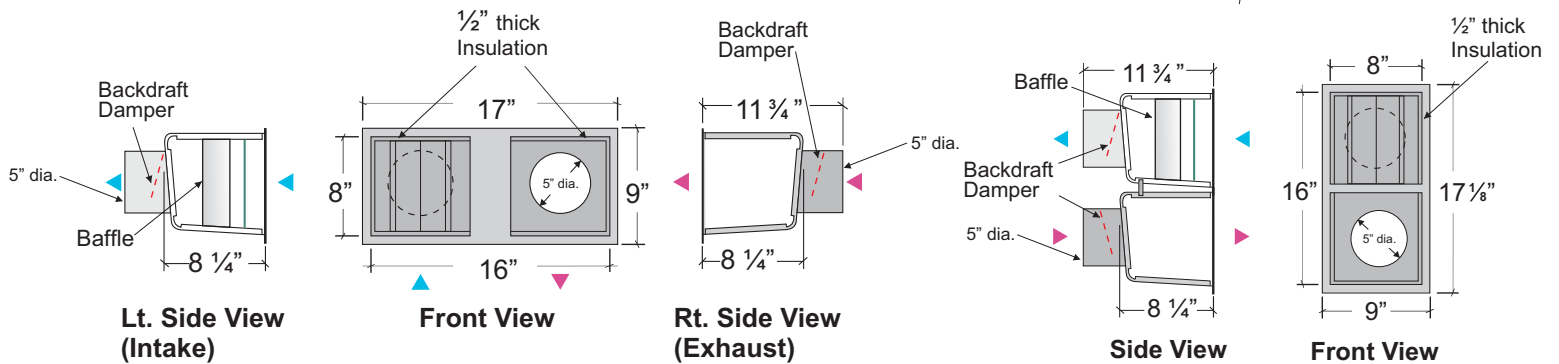
**Tested @ 400Pa according to ASTM E547-00 for water penetration test.**

**Re-circulation Efficiency - 96.5% at 100 CFM.  
@ 5-10 mph wind velocity with  
Reversomatic hood as shown.**



Exhaust / Intake hood  
Plain Aluminum finish  
(Custom colors available  
upon request)

**Note:**  
While installing duct work, make sure no screw  
will interfere the function of the backdraft damper.



**Note:** All Exhaust Vents must be installed min. 5 ft away from sidewalls.

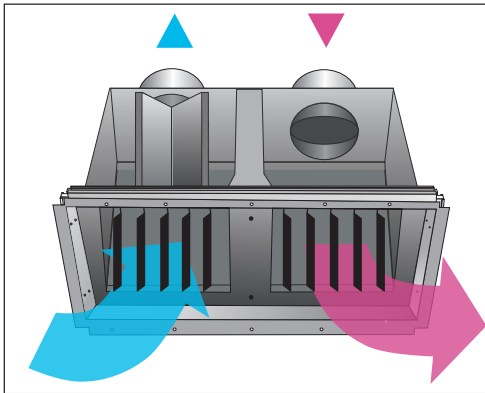
Contractor:		Double Vent (DVS / DVV-100)		
Architect:	Job:	Date	Supersedes	Drawing No.
Engineer:	Date Submitted:	01/16/19		

**Reversomatic Manufacturing Ltd.**

790 Rowntree Dairy Road, Woodbridge, ON, Canada L4L 5V3 • Tel: 905-851-6701 • Fax: 905-851-8376  
www.reversomatic.com • info@reversomatic.com

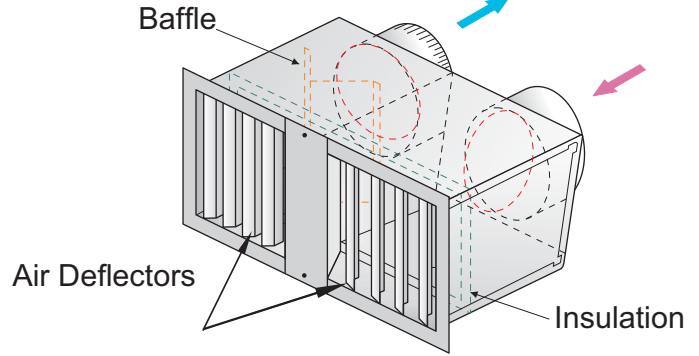


**HRV/ERV INTAKE AND EXHAUST VENTS**

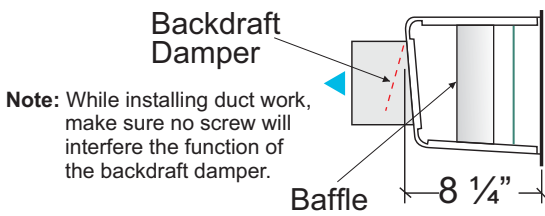
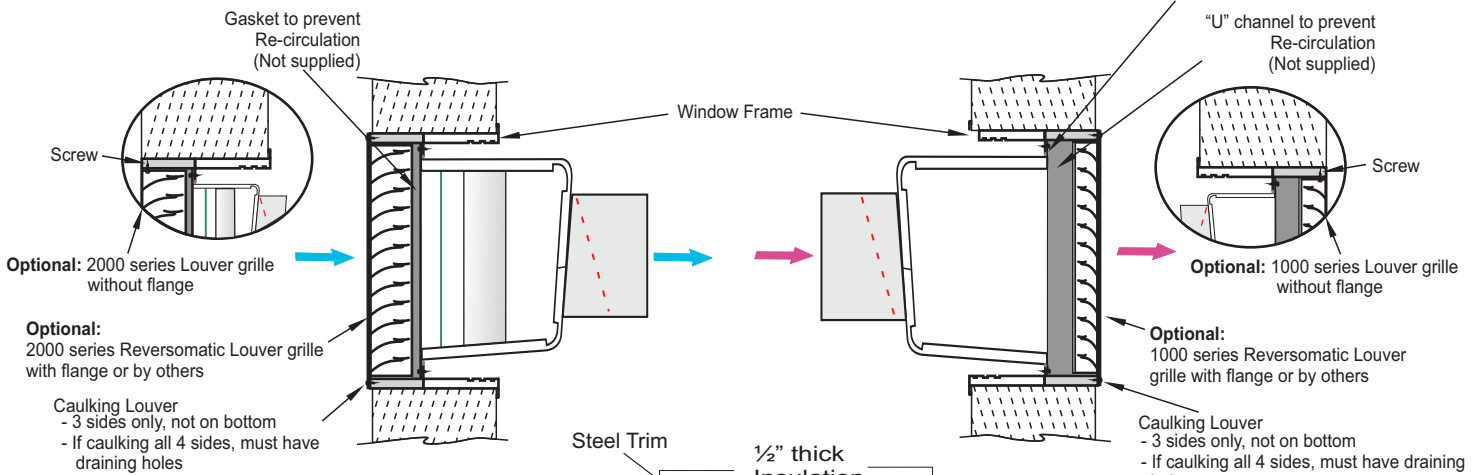


**Tested @ 400Pa according to ASTM E547-00 for water penetration test.**  
**Re-circulation Efficiency - 98.5% at 100 CFM.**  
**(Tested with Reversomatic louver grille @ 5-10 mph wind velocity) 50% free area.**

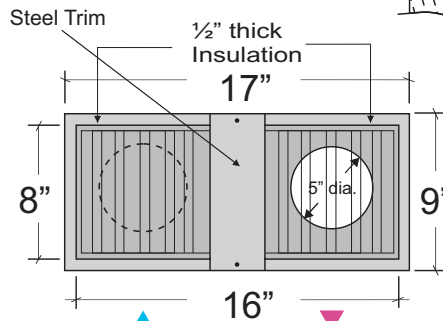
**Double Vent (DV-200)  
For Window Panel**



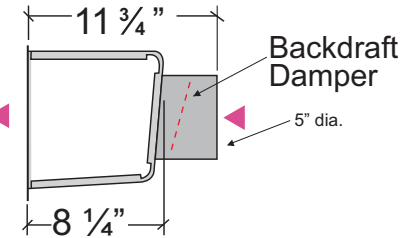
**Note:** All Exhaust Vents must be installed min. 5 ft away from sidewalls.



**Lt. Side View (Intake)**



**Front View**



**Rt. Side View (Exhaust)**

Contractor:		Double Vent (DV-200)		
Architect:	Job:	Date	Supersedes	Drawing No.
Engineer:	Date Submitted:	01/16/19		