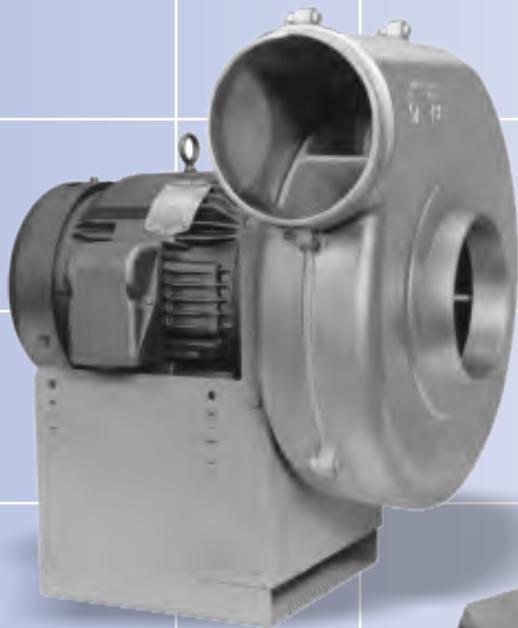




**REVERSOMATIC**  
MANUFACTURING LIMITED

# AF PRESSURE BLOWERS

MANUFACTURERS OF  
HIGH EFFICIENCY  
FAN/ BLOWERS/  
DUST COLLECTORS



**AF CAST ALUMINUM  
PRESSURE BLOWERS**

790 Rowntree Dairy Road,  
Woodbridge, ON Canada L4L 5V3

Tel: 905-851-6701 • Fax: 905-851-8376  
Toll Free: 1.800.810.3473 (Canada) • 1.866.890.6457 (U.S.A.)  
e-mail: [info@reversomatic.com](mailto:info@reversomatic.com)

[www.reversomatic.com](http://www.reversomatic.com)

# AF PRESSURE BLOWERS

Model AF features a rugged, lightweight and rustproof cast aluminum housing and wheel making it ideal for demanding industrial applications. Model AF is available in direct or belt drive with a variety of accessories to meet your requirements.

Capacity selections are available up to 3600 CFM and pressure selections up to 20" SP w.g.

- Split housing for maintenance ease
- Even O.D. pipe sizes on inlet and outlet
- Non-sparking cast aluminum wheel and housing
- Assortment of wheel sizes to pinpoint your performance required
- Reliability
- Wheels both statically and dynamically balanced
- Rustproof
- Low initial cost
- Available in arrangements 1, 2, 4, 8 and 9

## APPLICATIONS

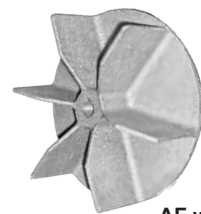
- Rubber processing
- Food processing
- Chemical processing
- Fume Control
- Dust Control
- Combustion air for incinerators, ovens, furnaces, kilns and dryers
- Cooling electronic equipment motors, generators and transformers
- Paper and printing machinery
- Light materials conveying
- Woodworking machinery
- Textile machinery
- Forced drying



Arrangement 4  
Flange Mount



Arrangement 4  
(Steel Base)



AF wheel



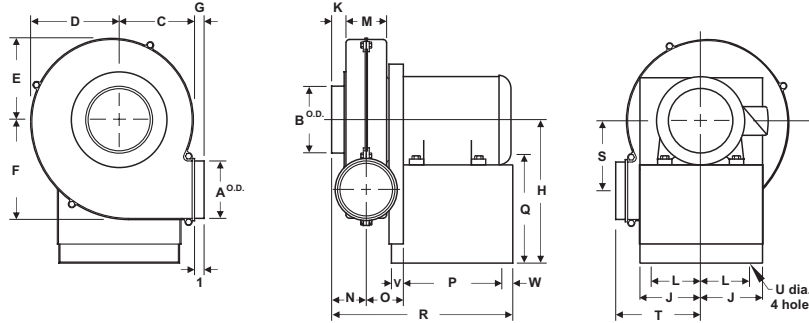
Arrangement 9  
(Arrangement 1 same as shown  
less motor and drives)

Available in wheel diameters from 8" thru 16 1/2". Offered in 5 sizes from 1/3 to 15 HP. Model AF features cast aluminum wheel and housing. CFM from 350 to 3600. Static Pressure to 20" WG. Model AF can be used in many applications, including material handling, dust and fume control and electronic equipment cooling. Bulletin AF-0301.

# AF PRESSURE BLOWERS

## DIRECT DRIVEN

### Arrangement 4 (Steel Base)



ALL DIMENSIONS SHOWN IN INCHES

AF SIZE	A	B	C	D	E	F	G	H	J	K	L	M	N	O	P	Q	R	S	T	U	V	W	Frame Size
8	4	4	4 15/16	5 13/16	5 3/32	6 11/16	1 3/8	8 1/2	3 3/4	1 1/8	2 3/4	3 1/2	2 7/8	2 7/8	5	5	11 3/4	4 9/16	6 5/16	7/16	1	-	-
9	4	5	6	7 1/4	6 17/32	7 3/4	1 3/16	10 1/2	3 3/4	1 3/16	2 3/4	3 3/4	3 1/16	3 1/16	6	7	13 1/8	5 5/8	7 3/16	7/16	1	-	-
10	5	6	6 11/16	8 5/8	7 15/32	9	1 1/8	11 1/2	5	1 1/2	4	3 3/4	3 3/8	3 1/4	7	8	14 7/16	6 3/8	7 13/16	7/16	1 1/16	13/16	143-T 145-T
12	6	7	7 3/4	9 1/4	8 1/2	10 7/16	1 1/8	11 1/2	5	1 1/2	4	4 1/4	3 5/8	3 9/16	7	8	15	7 5/16	8 7/8	7/16	1 1/16	13/16	56 143-T 145-T
12	6	7	7 3/4	9 1/4	8 1/2	10 7/16	1 1/8	11 1/2	5	1 1/2	4	4 1/4	3 5/8	3 9/16	8	7	16 1/8	7 5/16	8 7/8	7/16	1 1/16	15/16	182-T 184-T
15	8	*	9 3/8	11	10	12	1 9/16	15	6 5/16	1 1/2	4 7/8	5 7/8	4 7/16	5 1/8	8 3/4	11 1/2	20 1/2	7 7/8	10 15/16	9/16	1 7/8	2 3/16	56 143-T 145-T
15	8	*	9 3/8	11	10	12	1 9/16	15	6 5/16	1 1/2	4 7/8	5 7/8	4 7/16	5 1/8	8 3/4	10 1/2	20 1/2	7 7/8	10 15/16	9/16	1 7/8	2 3/16	182-T 184-T
15	8	*	9 3/8	11	10	12	1 9/16	15	6 5/16	1 1/2	4 7/8	5 7/8	4 7/16	5 1/8	8 3/4	9 3/4	20 1/2	7 7/8	10 15/16	9/16	1 7/8	2 3/16	213-T 215-T

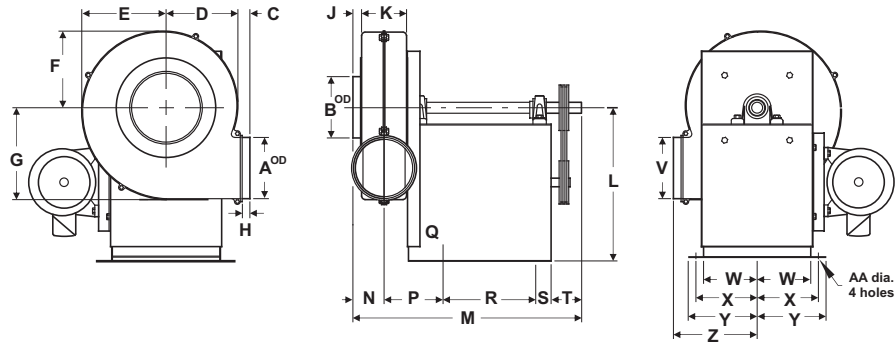
\*"B" Dimension on AF-15 = 7,8 or 10

\* AF-15 CW or CCW-DB, add one inch to dimension shown

## BELT DRIVEN

### Arrangement 9

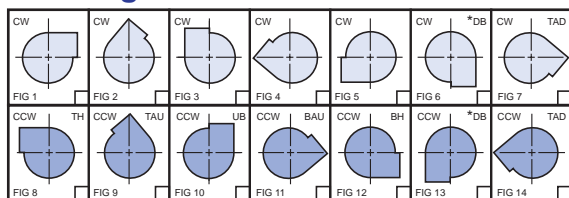
(Arrangement 1 same as shown, less motor and drives)



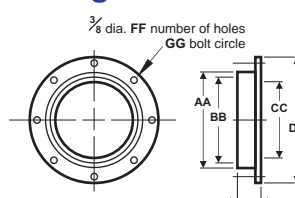
ALL DIMENSIONS SHOWN IN INCHES

AF SIZE	A	B	C	D	E	F	G	H	J	K	L	M	N	P	Q	R	S	T	V	W	X	Y	Z	AA	SHAFT DIA.	Keyway	MAXIMUM MOTOR FRAME SIZE
8	4	4	1 3/8	4 19/16	5 13/16	5 3/32	6 1/16	1	1 1/8	3 1/2	15	21 1/8	2 7/8	3	1	12	1	3	4 3/16	5	6	7	6 5/16	7/16	3/4	3/16 x 3/32	184-T
9	4	5	1 3/16	6	7 1/4	6 17/32	7 3/4	1	1 3/16	3 3/4	15	22 3/16	3 1/16	3 3/8	1	12	1	3	5 5/8	5	6	7	7 3/16	7/16	3/4	3/16 x 3/32	184-T
10	5	6	1 1/8	6 11/16	8 5/16	7 15/32	9	1	1 1/2	3 3/4	15	22 1/2	3 3/8	3 1/8	1	12	1	3	6 3/8	5	6	7	7 13/16	7/16	1	1/4 x 1/8	184-T
12	6	7	1 1/8	7 3/4	9 1/4	8 1/2	10 7/16	1	1 1/2	4 1/4	15	23	3 5/8	3 3/8	1	12	1	3	7 5/16	5	6	7	8 7/8	7/16	1	1/4 x 1/8	184-T
15	8	*	1 9/16	9 3/8	11	10	12	1	1 1/2	5 7/8	19 1/16	31	4 7/16	7 5/8	4 7/16	12	2 3/16	4 3/4	7 7/8	7	8	9	10 15/16	9/16	1 7/16	3/16 x 3/32	256-T

## Discharge Positions



## Flanges



Collar O.D.	AA	BB	CC	DD	EE	FF	GG
4	4 1/16	4 1/2	3 5/16	7 3/4	1 1/4	4	6 3/8
5	5 5/8	5 3/2	4 1/8	7 7/8	1 1/4	4	6 3/4
6	6 1/16	6 3/2	5 1/2	9	1 1/16	4	8
7	7 1/2	7 3/2	6 3/4	9 5/8	1 1/16	8	8 3/8
8	9	8 3/2	7 1/2	13 1/2	1 1/2	8	11 3/4
10	10 3/16	10 3/2	-	16	1 1/4	8	14 1/4









**REVERSOMATIC**  
MANUFACTURING LIMITED

CLICK HERE TO  
DOWNLOAD PARTS LIST

# PARTS LIST



**AF CAST ALUMINUM  
PRESSURE BLOWER**

790 Rowntree Dairy Road,  
Woodbridge, ON Canada L4L 5V3

Tel: 905-851-6701 • Fax: 905-851-8376  
Toll Free: 1.800.810.3473 (Canada) • 1.866.890.6457 (U.S.A.)  
e-mail: [info@reversomatic.com](mailto:info@reversomatic.com)

[www.reversomatic.com](http://www.reversomatic.com)

06-10-11 ver. 003