



ACCESSORIES: STANDARD WALL BOXES

June 2008

Test Standard:

Cyclic Static Test ASTM E547-00

Tested @ 200 Pa

Grills standard: aluminum stucco.

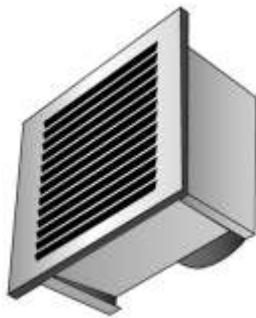
Grills option: smooth finish.



SINGLE WALL BOX:
Models SWBS-8, SWBS-12



DOUBLE WALL BOX:
Models DWBS-8, DWBS-12



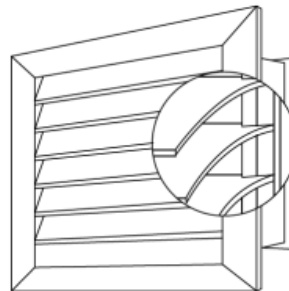
JUNIOR WALL BOX:
Models JWB-4



TRIPLE WALL BOX:
Models TWBS-8, TWBS-12



SOFFIT WALL BOX:
Model SFWB



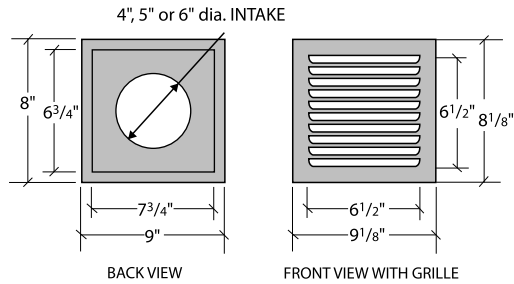
EXTRUDED ALUMINUM GRILLE:
Available for Single, Double, Triple and
Custom wall boxes

Reversomatic Manufacturing Ltd.

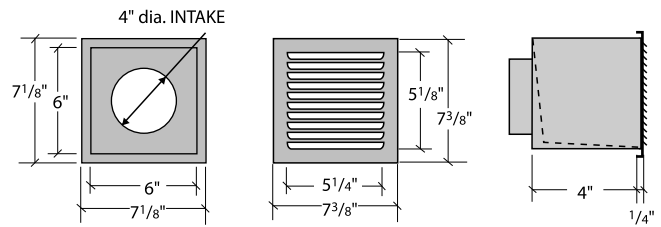
790 Rowntree Dairy Road, Woodbridge, ON Canada L4L 5V3 • Tel: 905-851-6701 • Fax: 905-851-8376
www.reversomatic.com • info@reversomatic.com

ACCESSORIES: Standard Wall Boxes

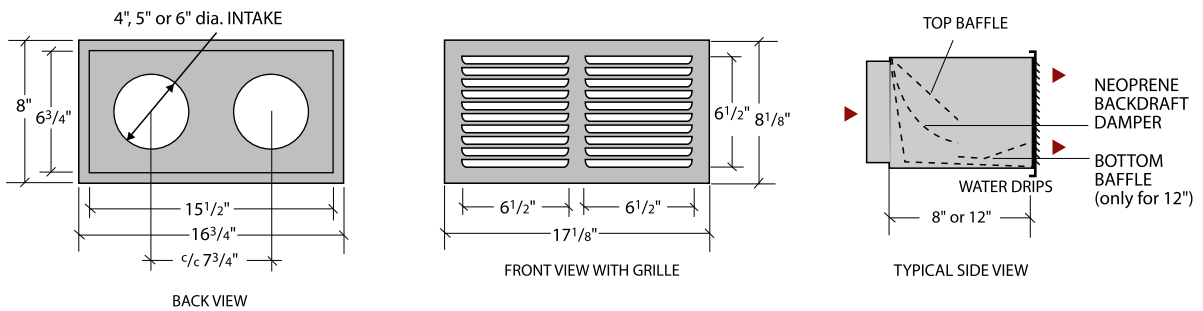
SINGLE WALL BOX: Models SWB-8, SWB-12



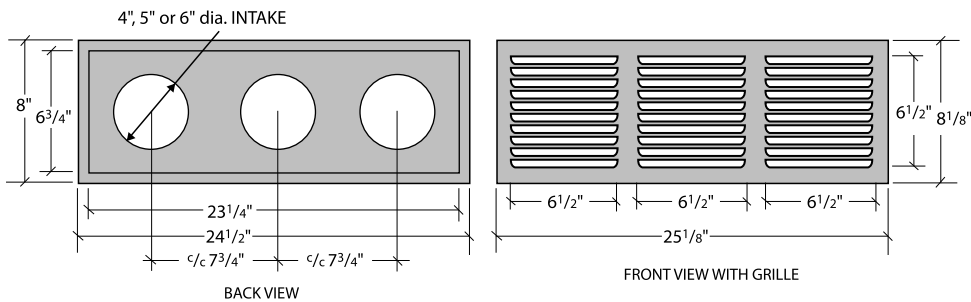
JUNIOR WALL BOX: Model JWB-4



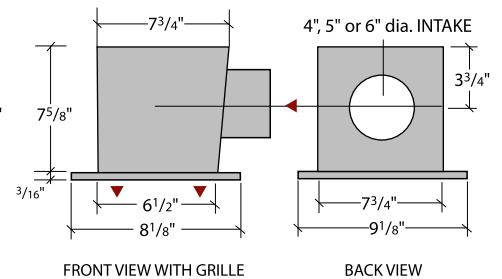
DOUBLE WALL BOX: Models DWB-8, DWB-12



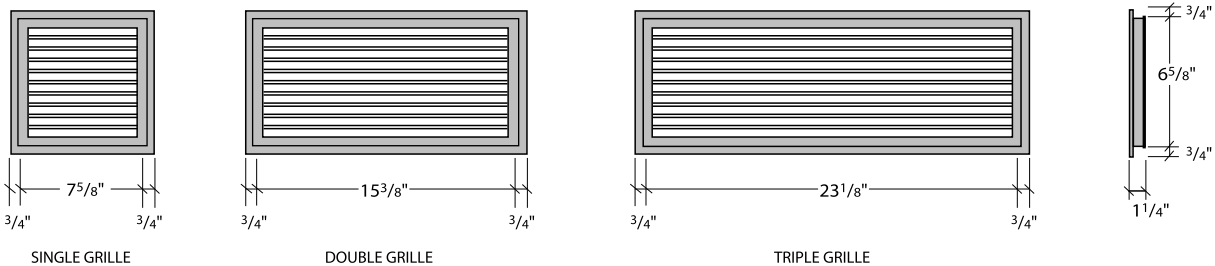
TRIPLE WALL BOX: Models TWB-8, TWB-12



SOFFIT WALL BOX: Model SFWB



EXTRUDED ALUMINUM GRILLES



Contractor:		STANDARD WALL BOXES		
Architect:	Job:	Data	Supersedes	Drawing NO.
Engineer:	Date Submitted:			

Reversomatic Manufacturing Ltd.

790 Rowntree Dairy Road, Woodbridge, ON Canada L4L 5V3 • Tel: 905-851-6701 • Fax: 905-851-8376
www.reversomatic.com • info@reversomatic.com