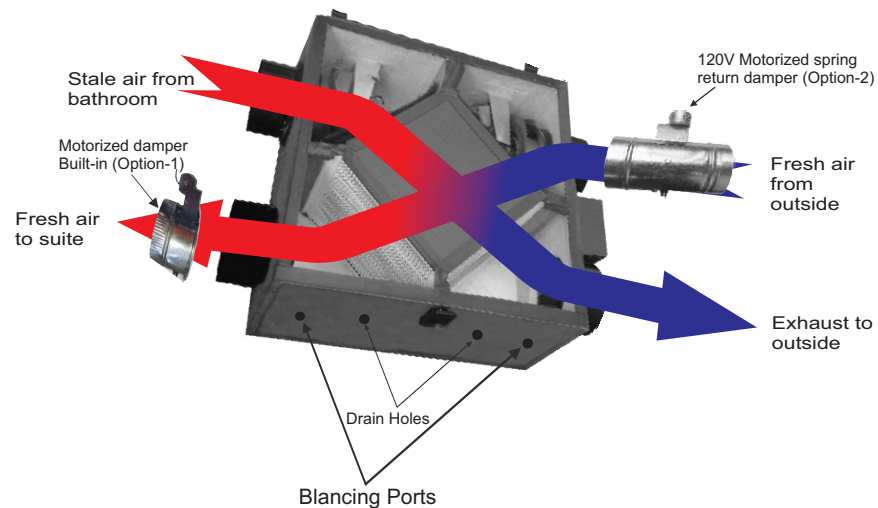
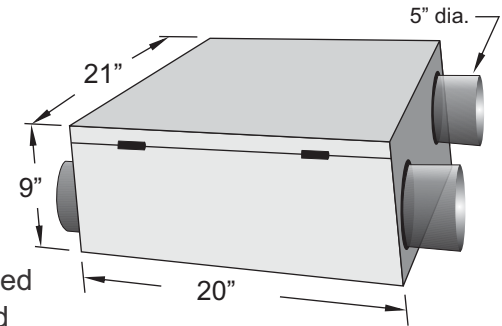


## RHRV-C100P

HRV Compact Unit  
(Polypropylene Core)

### Features

- Over all size 20" (W) x 21" (D) x 9" (H), App. weight 32 lbs.
- Power ratings: 115V/1/60 Hz, 0.70 Amp.
- Washable Polypropylene Core
- High efficiency energy saving permanently lubricated variable speed PSC motors for air balancing
- Furnace / Fan-coil / Heat Pump Interlock
- Dual Protection: If the exhaust fan fails, the outside fresh-air supply will be closed by shutting off the supply motor and the relay contact for motorized damper and interlock will be opened. Fan Coil/Furnace low speed will be stopped and at normal operation no air will enter into the system
- Automatic non-recirculating defrost
- washable filters
- Tilted core design
- continuous fresh air supply up to 80 CFM
- Ideal for horizontal and vertical installation
- 4 mounting brackets and 2 drain plugs are included

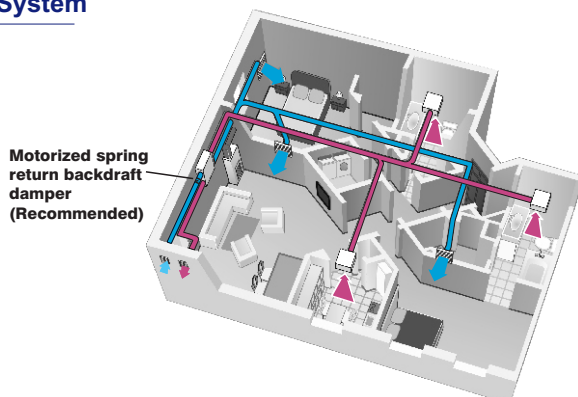


### OPTIONAL ACCESSORIES:

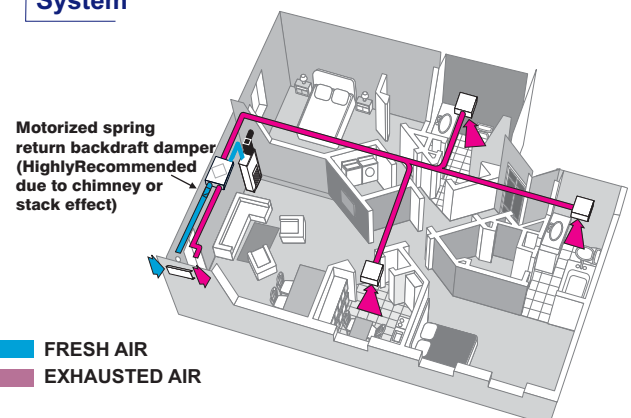
- Push button Timer Switches (5VDC)
- Dehumidistat
- Time Delay Switch (120VAC)
- Intermittent Switch (5VDC)(See on Back side)
- Motorized spring return damper (Option 1 or 2)
- Adjustable mounting straps or chain mounting system



### Fully Ducted System



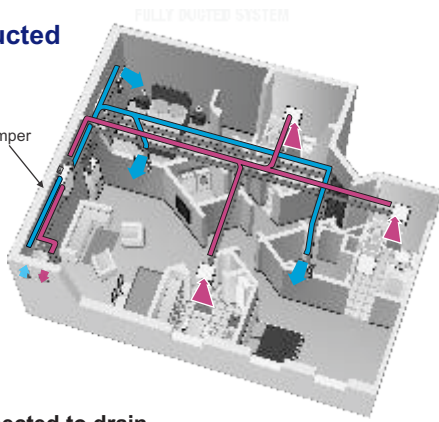
### HRV with Fan Coil System



## Installation Options for High-Rise Condominium

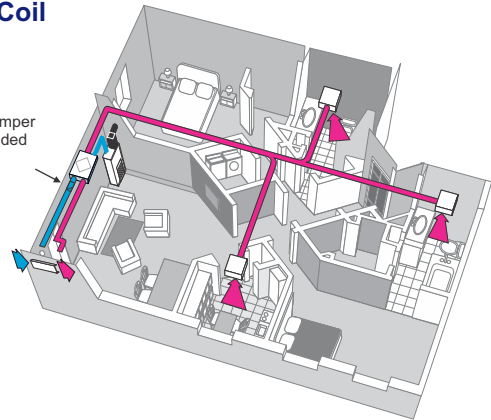
### Fully Ducted System

Motorized spring return backdraft damper (Recommended)



### HRV with Fan Coil System

Motorized spring return backdraft damper (Highly Recommended due to chimney or stack effect)



**FRESH AIR**  
**EXHAUSTED AIR**

**Note:**

- HRV must be connected to drain.
- ERV does not require any drain. However, we recommend to connect ERV to drain in areas where extreme cold weather conditions are expected.

### ENERGY PERFORMANCE

RHRV-C100P	Supply Temperature		Net Airflow		Supply / Exhaust Flow Ratio	Average Power (Watts)	Sensible Recovery Efficiency	Apparent Sensible Effectiveness	Net Moisture Transfer	
	°C	°F	L/S	CFM						
Heating	i	0	32	23	48	1.01	36	80	88	0.05
	ii	0	32	30	64	1.02	46	77	86	0.03
	iii	0	32	33	70	1.00	48	77	83	0.02
	iv									
	v	-25	-13	37Δ	77Δ	0.99*	46Δ	55Δ	76Δ	0.01Δ
	vi	-25	-13	26Δ	56Δ	1.11*	34Δ	57Δ	77Δ	0.01Δ
Cooling	vii									

### VENTILATION PERFORMANCE

Model #	Normal Speed Supply/Exhaust (Constant Ventilation) @ 50 Pa	High Speed Exhaust (Activated by switch) @ 50 Pa	Maximum Power Rating 120V / 1 / 60Hz
RHRV-C100P	20 ~ 80 CFM variable	70 ~ 115 CFM variable	0.70 Amp.

\* Normal / High Speed and air-flow balancing can be achieved by adjusting speed controller knob located on the main controller.

\* The Supply / Exhaust Flow Ratio at 22°C prior to the start of the 72 Hours Cold Weather Test

Δ The Calculation is based on last 60 Hours of the 72 Hours Cold Weather Test

### ACCESSORIES

**Double Vent with Extruded Aluminum Grilles**  
Exhaust and Intake (DVG-200)  
Optional: Stamped Aluminum Grilles

**DVV-100C - Double Vent** c/w Vertical Exhaust / Intake hood (Only for Compact unit)

**Double Vent with Side Exhaust / Intake (DVS-100)**

**Double Vent for window panel Exhaust and Intake (DV-200)**

**Access Doors**  
FLAT - ADF 26  
PROJECT - ADP 24  
DETACHABLE - ADD 24

**Single Vent with Extruded Aluminum Grille (RSVG100)**  
Optional: Stamped Grille

**Single Vent with Standard Stamped Aluminum Grille (RSVG200)**  
Optional: Extruded Aluminum Grille

**Motorized Damper**  
5 inch diameter spring return round damper  
NSPRD024-5 (24V DC) & SPRD110-5 (110V AC)

**Electronic Timer Switch (5V DC)**  
Activates the unit on high speed for 20, 40, 60 minutes. Suitable for Deluxe, Superior & Compact Units. (TC100)

**Intermittent Switch (IC 100-5V)**  
Low/High/Intermittent/Off mode. In Intermittent mode, HRV/ERV runs for 20 min. in low speed & 40min. OFF. and cycles continuously.

**Dehumidistat**  
Wall-mount unit allows to control indoor humidity level. Suitable for Superior Series & Compact Units. (RH100)

**Wall Cap**  
Exhaust / Intake WCE-5", WCI-5"

Contractor:		RHRV-C100P		
Architect:	Job:	Date	Superse.des	Drawing No.
Engineer:	Date Submitted:	03/09/2017		

• **Softaire** •