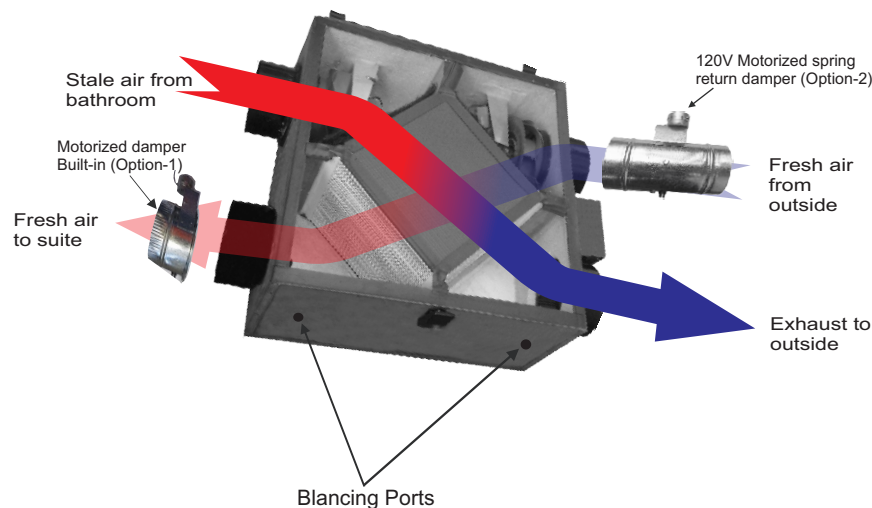
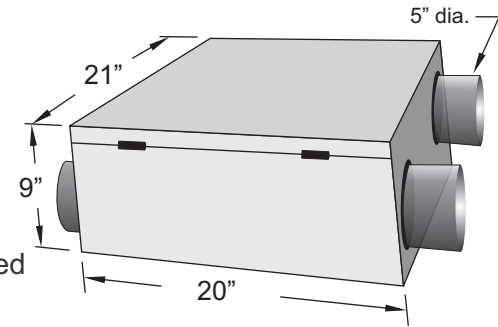


Shop Drawing RERV-C100

ERV Compact Unit
(Enthalpy Core)

Features

- Over all size 20" (W) x 21" (D) x 9" (H), App. weight 32 lbs.
- Power ratings: 115V/1/60 Hz, 0.70 Amp.
- Washable high efficiency **Dpoint Enthalpy core** suitable for -25°C
- High efficiency energy saving permanently lubricated variable speed PSC motors for air balancing
- Furnace / Fan-coil / Heat Pump Interlock
- Dual Protection: If the exhaust fan fails, the outside fresh-air supply will be closed by shutting off the supply motor and the relay contact for motorized damper and interlock will be opened. Fan Coil/Furnace low speed will be stopped and at normal operation no air will enter into the system
- Automatic non-recirculating defrost
- Washable filters
- Tilted core design
- Continuous fresh air supply up to 80 CFM
- Ideal for horizontal and vertical installation
- 4 mounting brackets and 2 drain plugs are included
- Exhaust up to two washrooms

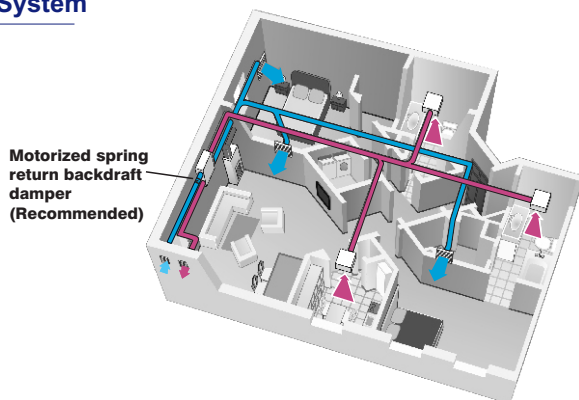


OPTIONAL ACCESSORIES:

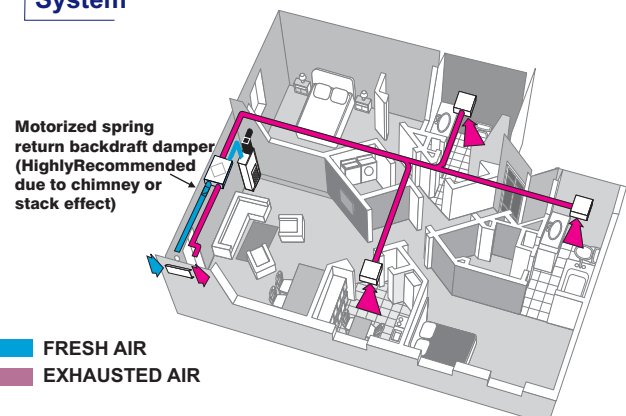
- Push button Timer Switches (5VDC)
- Time Delay Switch (120VAC)
- Intermittent Switch (5VDC) (See on Back side)
- Dehumidistat
- Motorized spring return damper (Option 1 or 2)
- Adjustable mounting straps or chain mounting system



Fully Ducted System



HRV with Fan Coil System



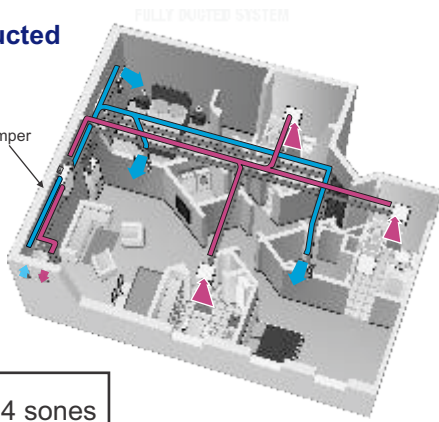
■ FRESH AIR
■ EXHAUSTED AIR

• Softaire •

Installation Options for High-Rise Condominium

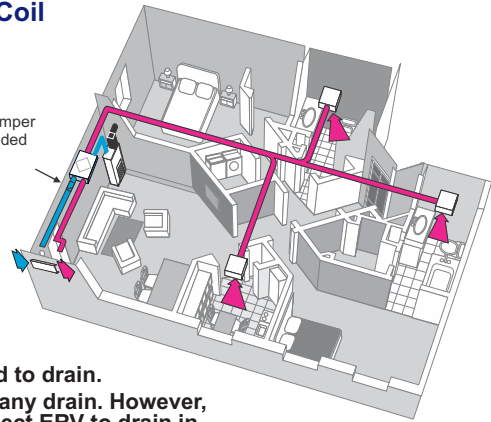
Fully Ducted System

Motorized spring return backdraft damper (Recommended)



ERV with Fan Coil System

Motorized spring return backdraft damper (Highly Recommended due to chimney or stack effect)



SOUND:

29 (L/s) @ 0.2 (IN. W.G.)	1.4 sones (@ 50 Pa)
------------------------------	------------------------

Note:

- HRV must be connected to drain.
- ERV does not required any drain. However, we recommend to connect ERV to drain in areas where extreme cold weather conditions are expected.

■ FRESH AIR
■ EXHAUSTED AIR

VENTILATION PERFORMANCE

Model #	Normal Speed Supply/Exhaust (Constant Ventilation) @ 50 Pa	High Speed Exhaust (Activated by switch) @ 50 Pa	Maximum Power Rating 120V / 1 / 60Hz
RERV-C100	20 ~ 80 CFM variable	70 ~ 115 CFM variable	0.70 Amp.

* Normal / High Speed and air-flow balancing can be achieved by adjusting speed controller knob located on the main controller.

ENERGY PERFORMANCE

RERV C100	Supply Temperature		Net Airflow		Supply / Exhaust Flow Ratio	Average Power (Watts)	Sensible Recovery Efficiency	Apparent Sensible Effectiveness	Net Moisture Transfer	
	°C	°F	L/S	CFM						
Heating	i	0	32	22	46	1.00	36	70	80	56 %
	ii	0	32	30	64	1.00	42	69	76	52 %
	iii	0	32	38	81	1.02	48	66	73	48 %
	iv	-25	-13							
Cooling	v	35	95	22	46	0.97	36	54**	74	52 %
	vi	35	95	30	64	0.98	44	51**	70	47 %

* The Supply / Exhaust Flow Ratio at 22°C to the start of the 72 Hour Cold Weather Test

** Indicate Total Recovery Efficiency not Sensible Recovery Efficiency

ACCESSORIES

Double Vent with Extruded Aluminum Grilles
Exhaust and Intake (DVG-200)
Optional: Stamped Aluminum Grilles

DVV-100C - Double Vent w/w Vertical Exhaust / Intake hood (Only for Compact unit)

Double Vent with Side Exhaust / Intake (DVS-100)

Double Vent for window panel Exhaust and Intake (DV-200)

Motorized Damper
5 inch diameter spring return round damper.
NSPRD024-5 (24V DC) & SPRD110-5 (110V AC)

Electronic Timer Switch (5V DC)
Activates the unit on high speed for 20, 40, 60 minutes. Suitable for Deluxe, Superior & Compact Units. (TC100)

Single Vent with Extruded Aluminum Grille (RSVG100)
Optional: Stamped Grille

Single Vent with Standard Stamped Aluminum Grille (RSVG200)
Optional: Extruded Aluminum Grille

Intermittent Switch (IC 100-5V)
Low/High/Intermittent/Off mode. In Intermittent mode, HRV/ERV runs for 20 min. in low speed & 40min. OFF. and cycles Continuously.

Dehumidistat
Wall-mount unit allows to control indoor humidity level. Suitable for Superior Series & Compact Units. (RH100)

Wall Cap
Exhaust / Intake WCE-5", WCI-5"

Access Doors

FLAT - ADF 26

PROJECT - ADP 24

DETACHABLE - ADD 24

Contractor:		RERV-C100		
Architect:	Job:	Date	Superse.des	Drawing No.
Engineer:	Date Submitted:	11/15/2016		

• **Softaire** •