

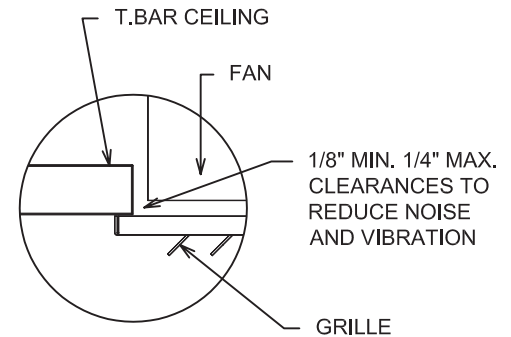
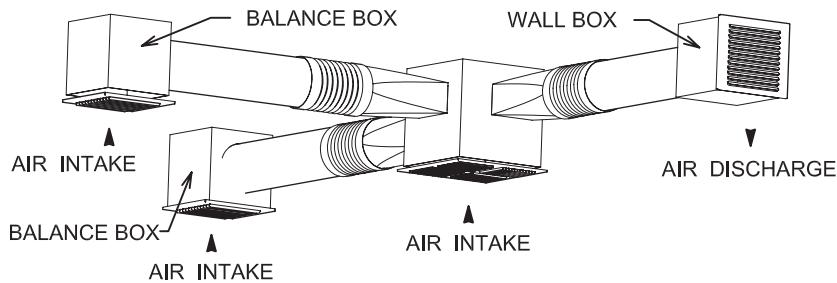
# XL SERIES FANS

## INSTALLATION INSTRUCTIONS

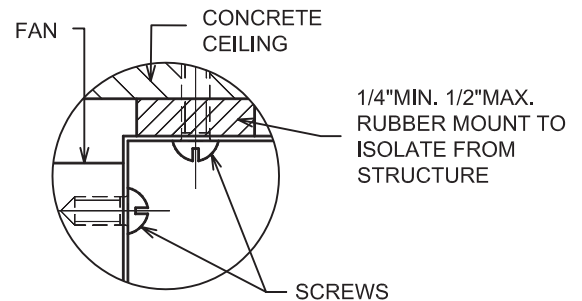
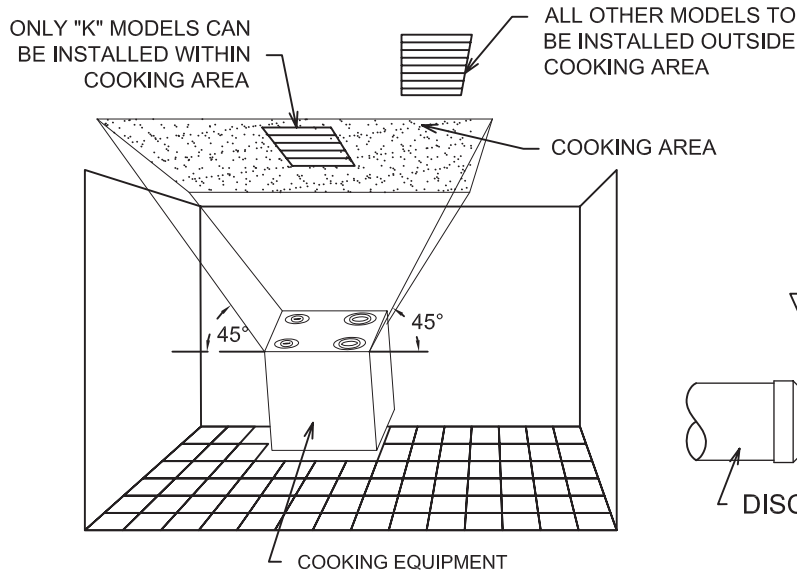
### READ AND SAVE THESE INSTRUCTIONS

**CAUTION: TO AVOID THE RISK OF FIRE, ELECTRIC SHOCK OR INJURY, TURN POWER OFF AT SERVICE PANEL BEFORE INSTALLATION OR CLEANING OR SERVICING THIS UNIT.**

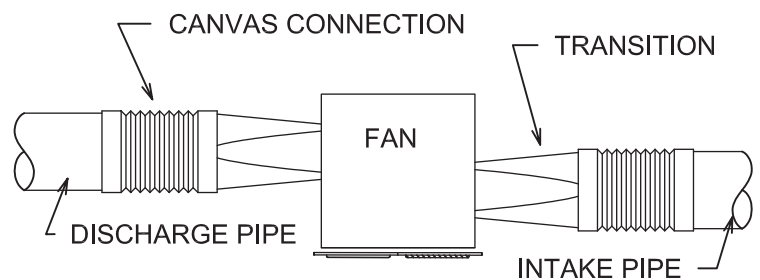
### CF225,CF375,CF425, BB100,BK100,QB200



USE FAN WITH SP PLATE INSTEAD OF INTAKE GRILLE TO CONVERT BB-100 OR BK-100 IN TO CEILING FAN.



### IN LINE INSTALLATION



### WARNING

FOR PROPER INSTALLATION AND

REDUCTION OF NOISE AND VIBRATION:

- DO NOT SUSPEND FAN FROM DRYWALL OR LATHING CHANNELS, SUSPEND FROM CONCRETE CEILING OR WOOD FRAME.
- AVOID DIRECT CONTACT OF FAN WITH "T" BAR OR CEILING.
- MAKE SURE THAT RUBBER MOUNTS, GASKETS AND GROMMETS ARE IN PLACE.

- AVOID USE OF FLEXIBLE PIPE.

- CONNECT FAN WITH FLEXIBLE CANVAS DUCT CONNECTOR

OILING MIGHT EXTEND LIFE OF MOTORS. IF SO DESIRED USE 20 WEIGHT NON DETERGENT AUTOMOTIVE OIL.



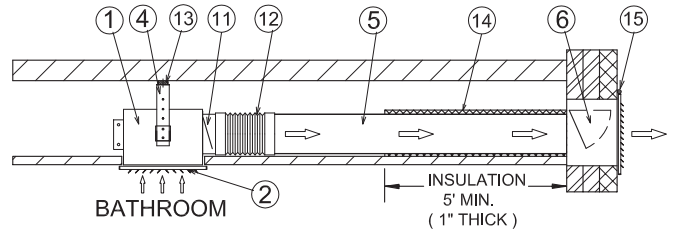
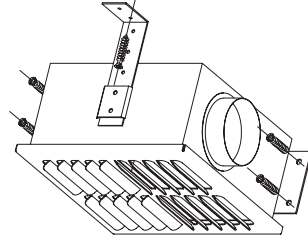
**REVERSOMATIC**  
MANUFACTURING LIMITED

790 Rowntree Dairy Road, Woodbridge ON, Canada L4L 5V3  
Tel: 905-851-6701 • Fax: 905-851-8376 • info@reversomatic.com

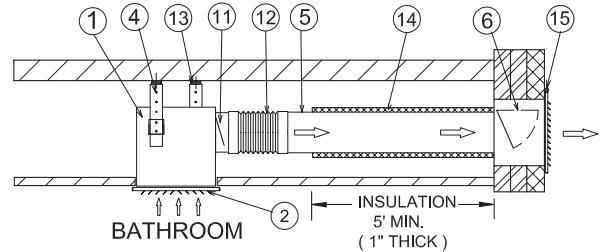
[www.reversomatic.com](http://www.reversomatic.com)

# EB & XL SERIES FAN

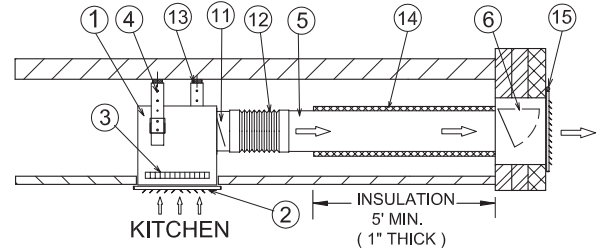
EB45 B60  
 EB50 QB60  
 EB55 RS85  
 EB60 RS90  
 EB70 RS100  
 EB80  
 EB100



EB50FF B100 QCF95 CFS150  
 EB60FF QB80 QCF110 CFS250  
 EB70FF QB100 QCF125 CFS350  
 EB80FF QB100S QCF130 RS 95  
 EB100FF QB120 QCF145 RS90FF  
 CF 100 QB130 QCF150 RS100FF  
 CF 130 QB140 QCF170 LSF80  
 CF 170 QB150



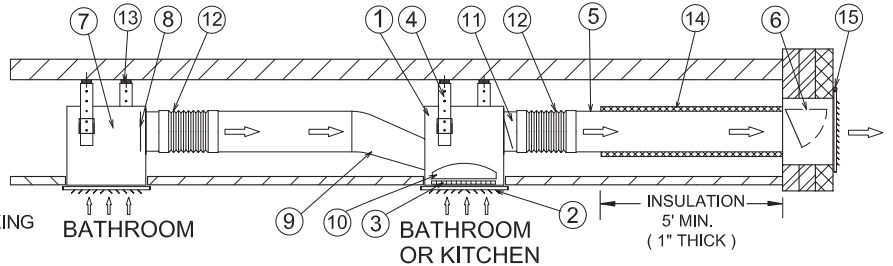
K100  
 BK100  
 QK100



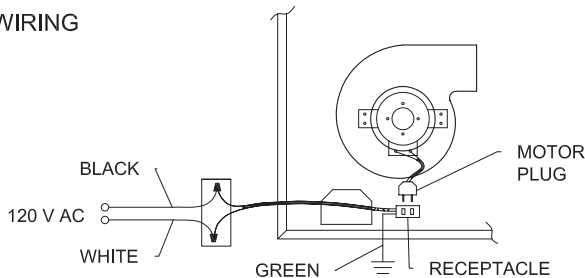
NOTE : GREASE FILTER MUST BE INSTALLED FOR KITCHEN USE ONLY.

BB100 BK100 QB200

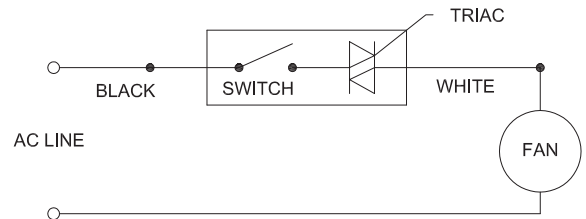
- |                                   |   |
|-----------------------------------|---|
| 1. FAN                            | 9. TRANSITION   |
| 2. GRILLE                         | 10. BAFFLE  |
| 3. GREASE FILTER (OPTIONAL)       | 11. BACK DRAFT DAMPER   |
| 4. MOUNTING BRACKET (OPTIONAL)    | 12. FLEXIBLE CANVAS DUCT CONNECTOR  |
| 5. DISCHARGE PIPE                 | 13. RUBBER GROMMET  |
| 6. LEAKPROOF WALL BOX             | 14. INSULATION  |
| 7. BALANCE BOX                    | 15. CAULKING (3 SIDES ONLY, NOT ON BOTTOM, IF CAULKING ALL 4 SIDES, MUST HAVE DRAINING HOLES) |
| 8. HAND ADJUSTABLE BALANCE DAMPER |   |



## TYPICAL WIRING DIAGRAM



## CONNECTION DIAGRAM FOR FAN SPEED CONTROL



**IMPORTANT** - MINIMUM CFM FOR VENTILATION AND/OR INTERCONNECTIONS OF DUCTS AND FANS COULD BE REGULATED BY YOUR LOCAL BY-LAWS. VERIFY ACCEPTANCE OF INSTALLATION WHEN NECESSARY.  
 - ALL FANS SHOULD HAVE BACKDRAFT DAMPER AT OUTLET. FANS WITH PRESSURE SENSING DEVICE MUST HAVE WALL-BOX EQUIPPED WITH BACKDRAFT DAMPER AS PER DRAWING.

**WARNING** - MOVING PARTS, DISCONNECT POWER SUPPLY BEFORE REMOVING ELECTRICAL BOX COVER.



**REVERSOMATIC**  
 MANUFACTURING LIMITED

790 Rowntree Dairy Road, Woodbridge ON, Canada L4L 5V3  
 Tel: 905-851-6701 • Fax: 905-851-8376 • info@reversomatic.com

[www.reversomatic.com](http://www.reversomatic.com)