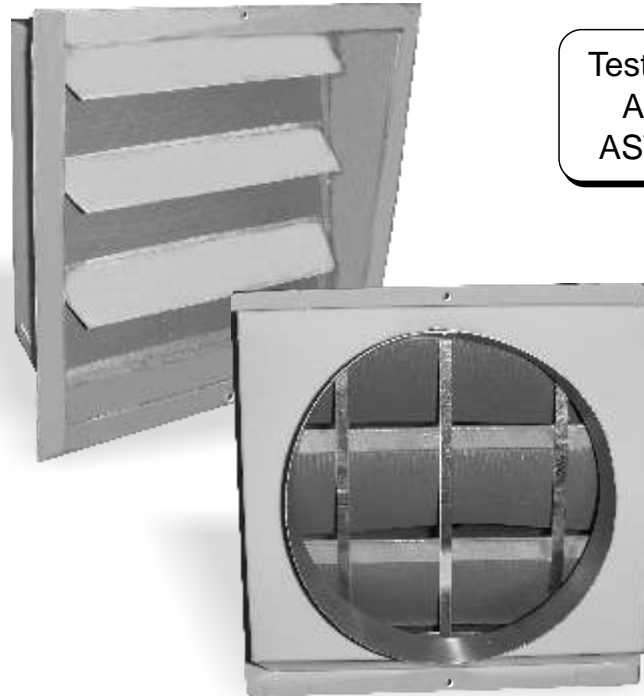




REVERSOMATIC
MANUFACTURING LIMITED

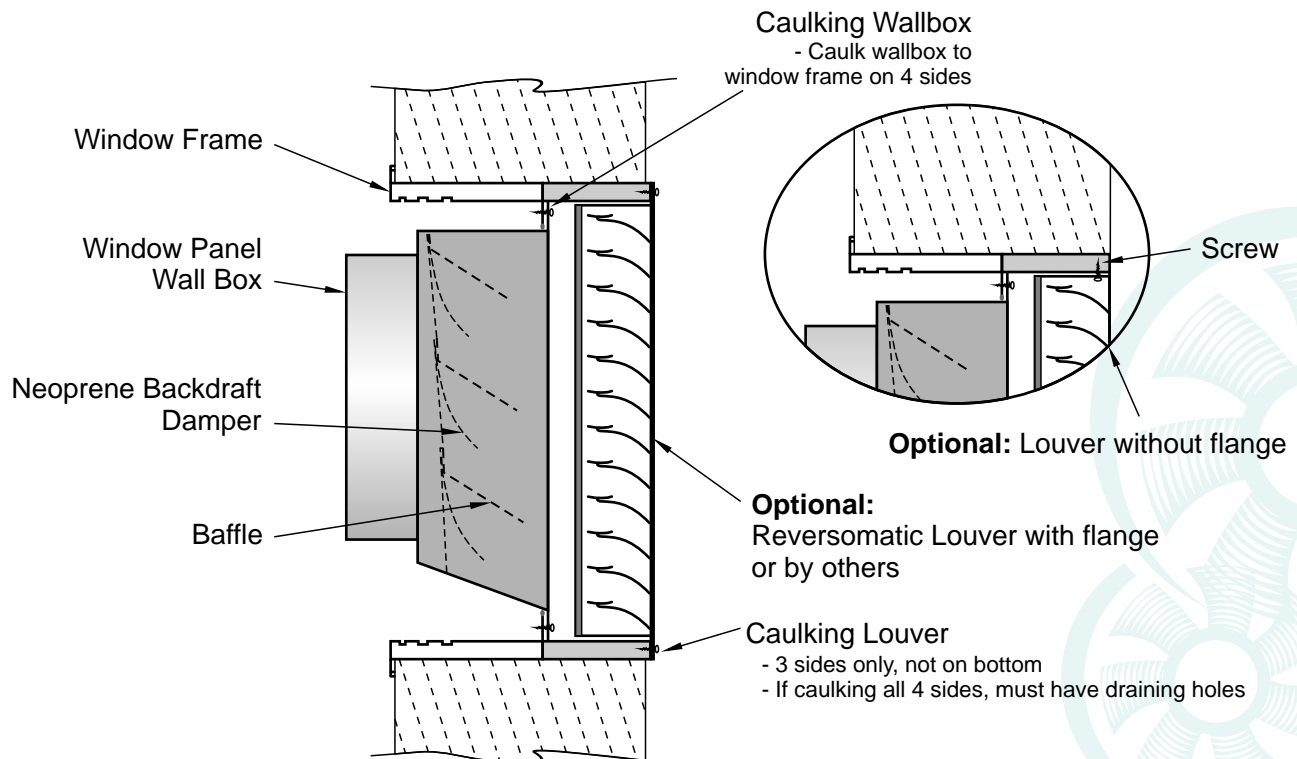
NEW WINDOW PANEL EXHAUST BOX



Tested @ 400 pa
According to
ASTM ES47-00

Available sizes:

4" dia. (WPEB4)
5" dia. (WPEB5)
6" dia. (WPEB6)

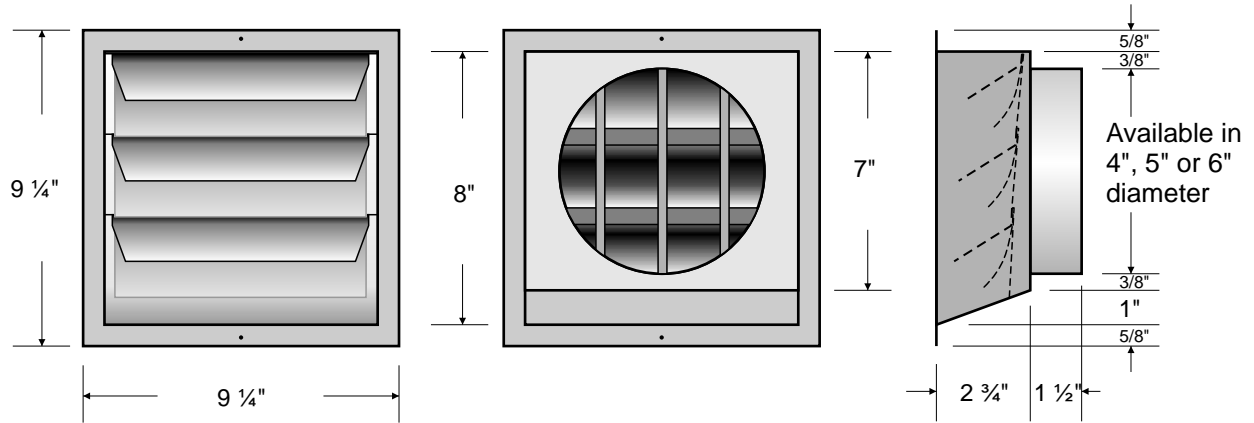


Reversomatic Manufacturing Ltd.

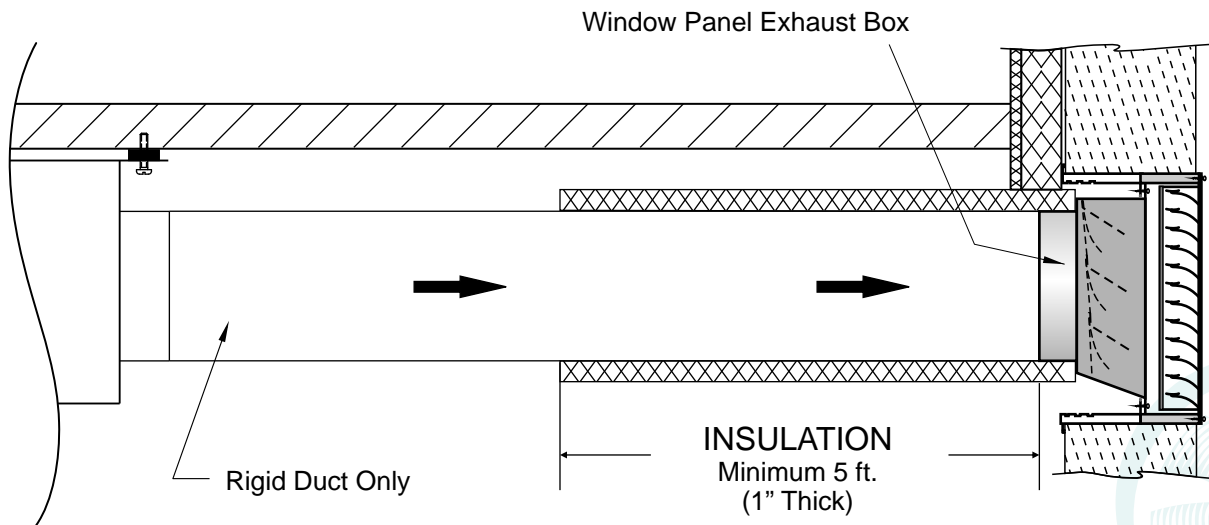
790 Rowntree Dairy Road, Woodbridge, ON Canada L4L 5V3 • Tel: 905-851-6701 • Fax: 905-851-8376
www.reversomatic.com • info@reversomatic.com

WINDOW PANEL EXHAUST BOX

Dimensions:



Typical Installation:



***FOLLOW YOUR LOCAL BUILDING CODE**

Contractor:		WINDOW PANEL WALLBOX		
Architect:	Job:	Date	Supersedes	Drawing No.
Engineer:	Date Submitted:			

Reversomatic Manufacturing Ltd.

790 Rowntree Dairy Road, Woodbridge, ON Canada L4L 5V3 • Tel: 905-851-6701 • Fax: 905-851-8376
www.reversomatic.com • info@reversomatic.com