



ACCESSORIES: WEATHER-TIGHT WALL BOXES WITH MAGNET

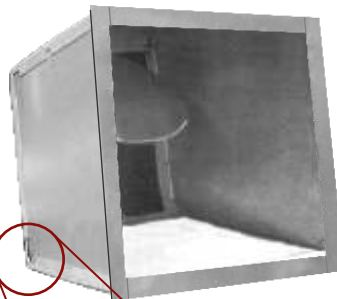
PATENT PENDING

A single coat of epoxy paint applied to the interior surface of the box and two coats of epoxy paint applied to the exterior.

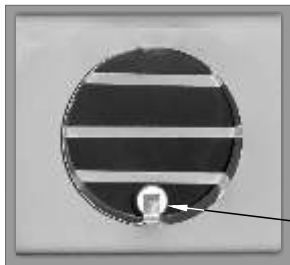
TEST STANDARDS:
Static Test ASTM E331-00
Cyclic Static Test ASTM E547-00
Tested @ 700 Pa

SINGLE WALL BOX

MODEL: SWBWM-8



Extruded Aluminum Grille
(optional for all sizes)



Back View

Magnet
- Factory set to prevent 0.05" to 0.10" W.C.
back-draft created inside the house/condo

Leak Proof Seamless
Flanged Wrap Construction

NOTE:
Different magnet strengths are available upon request to accommodate higher back-draft

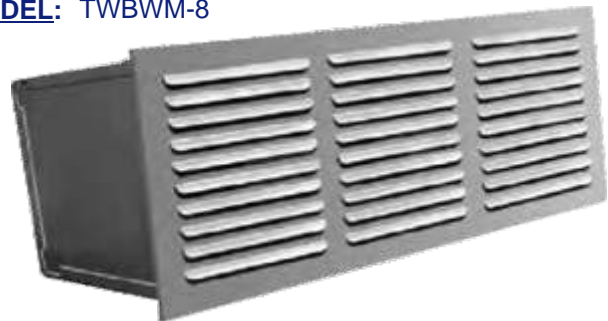
DOUBLE WALL BOX

MODEL: DWBWM-8



TRIPLE WALL BOX

MODEL: TWBWM-8



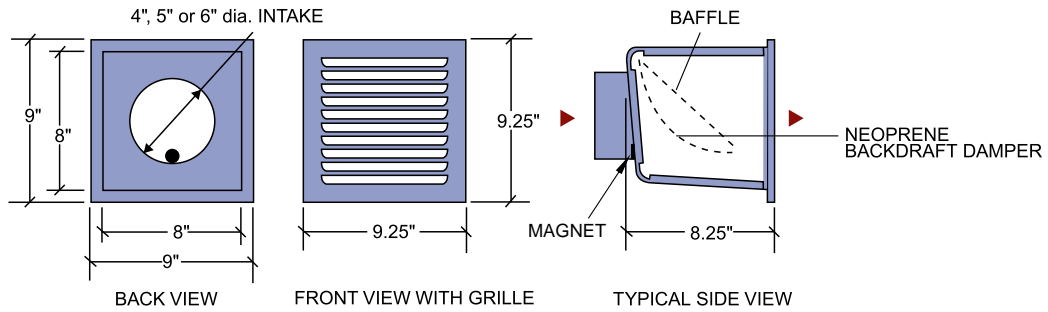
OCT. 19, 2010

Grills standard: aluminum stucco.
Grills option: smooth finish.

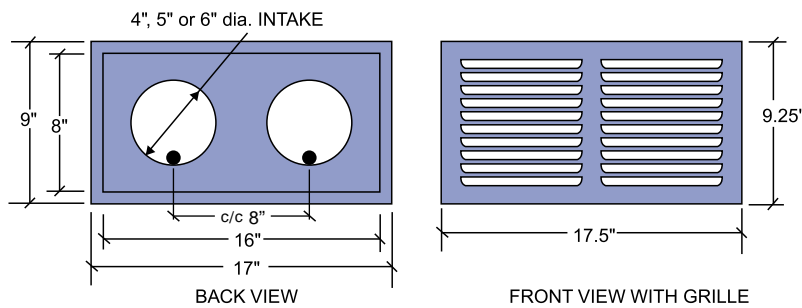
ACCESSORIES: WEATHER-TIGHT WALL BOXES WITH MAGNET

PATENT PENDING

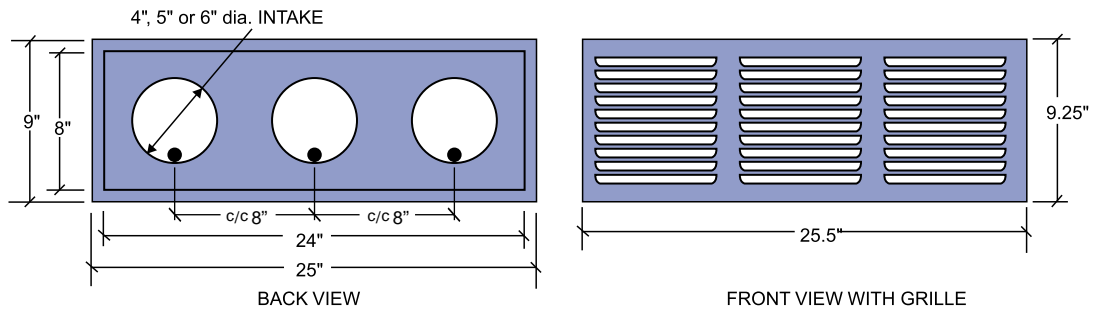
SINGLE WALL BOX MODEL: SWBWM-8



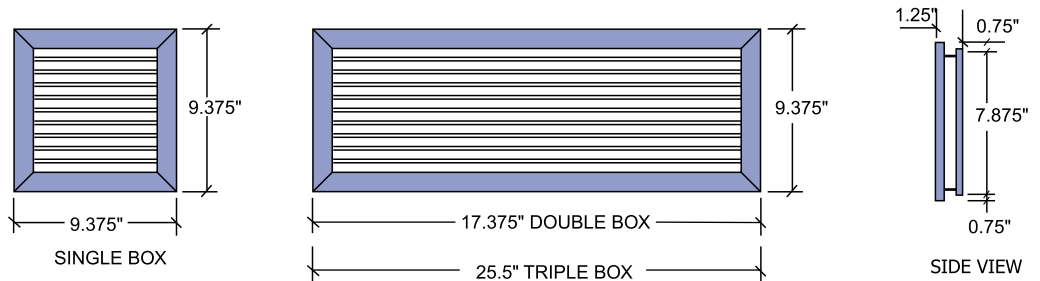
DOUBLE WALL BOX MODEL: DWBWM-8



TRIPLE WALL BOX MODEL: TWBWM-8



EXTRUDED ALUMINUM GRILLES



Contractor:		WEATHER-TIGHT WALL BOXES		
Architect:	Job:	Date	Supersedes	Drawing No.
Engineer:	Date Submitted:			

Reversomatic Manufacturing Ltd.

790 Rowntree Dairy Road, Woodbridge, ON Canada L4L 5V3 • Tel: 905-851-6701 • Fax: 905-851-8376
 www.reversomatic.com • info@reversomatic.com