



ACCESSORIES: WEATHER-TIGHT WALL BOXES

MARCH 2010

A single coat of epoxy paint applied to the interior surface of the box and two coats of epoxy paint applied to the exterior.

TEST STANDARDS:

Static Test ASTM E331-00

Cyclic Static Test ASTM E547-00

Tested @ 700 Pa

SINGLE WALL BOX

MODEL: SWBW-8



Extruded Aluminum Grille
(optional for all sizes)

Leak Proof Seamless
Flanged Wrap Construction

DOUBLE WALL BOX

MODEL: DWBW-8



TRIPLE WALL BOX

MODEL: TWBW-8



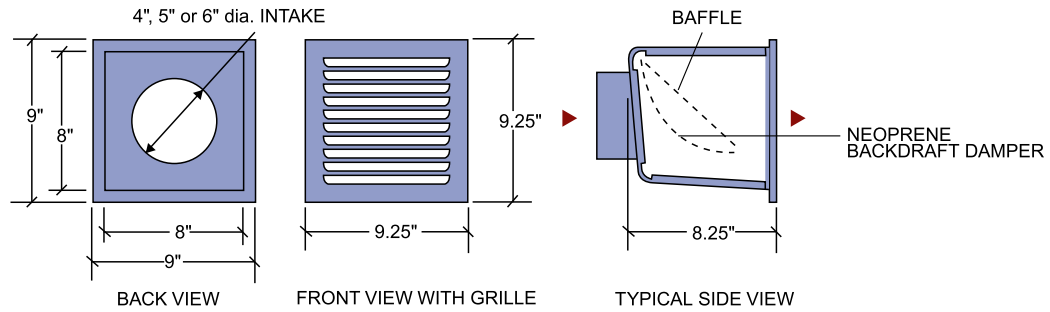
Grills standard: aluminum stucco.
Grills option: smooth finish.

Reversomatic Manufacturing Ltd.

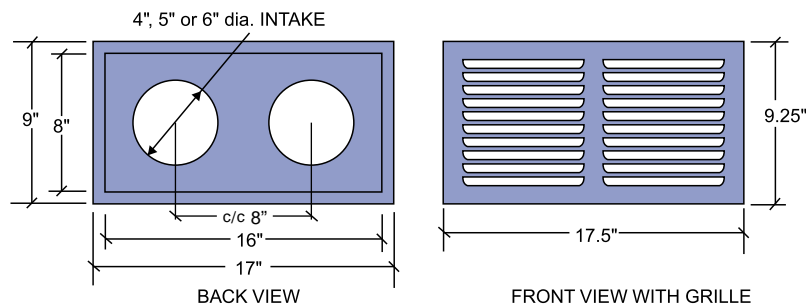
790 Rowntree Dairy Road, Woodbridge, ON Canada L4L 5V3 • Tel: 905-851-6701 • Fax: 905-851-8376
www.reversomatic.com • info@reversomatic.com

WEATHER-TIGHT BOXES

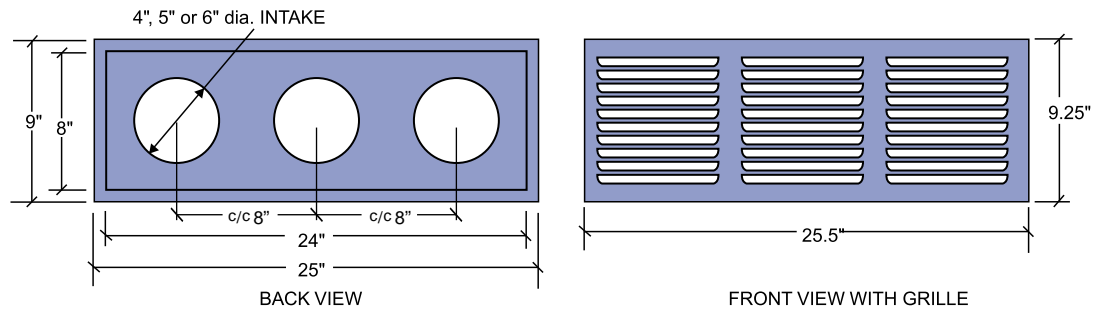
SINGLE WALL BOX MODEL: SWBW-8



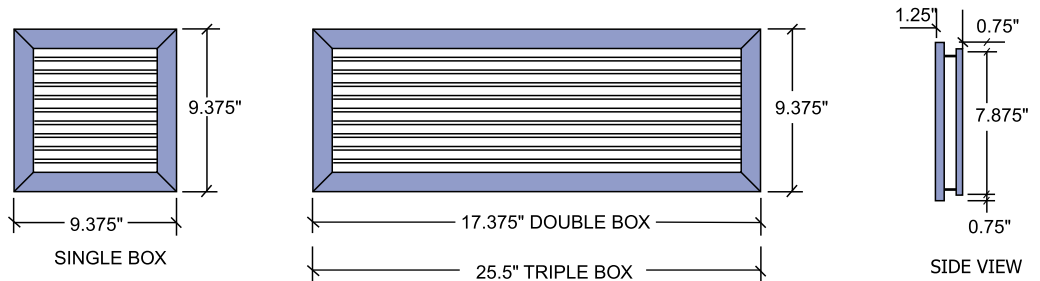
DOUBLE WALL BOX MODEL: DWBW-8



TRIPLE WALL BOX MODEL: TWBW-8



EXTRUDED ALUMINUM GRILLES



Contractor:		WEATHER-TIGHT WALL BOXES		
Architect:	Job:	Date	Supersedes	Drawing No.
Engineer:	Date Submitted:			

Reversomatic Manufacturing Ltd.

790 Rowntree Dairy Road, Woodbridge, ON Canada L4L 5V3 • Tel: 905-851-6701 • Fax: 905-851-8376
 www.reversomatic.com • info@reversomatic.com