



**REVERSOMATIC**  
MANUFACTURING LIMITED



## STANDARD "CUSTOM RANGE HOODS"

with internal twin blower  
or roof/wall ventilator



*The unique design of  
STANDARD "CUSTOM HOODS"  
provides effective and  
powerful ventilation for  
kitchen ranges or indoor  
barbeques while offering  
the versatility of personal  
styling to accent any  
kitchen decor.*

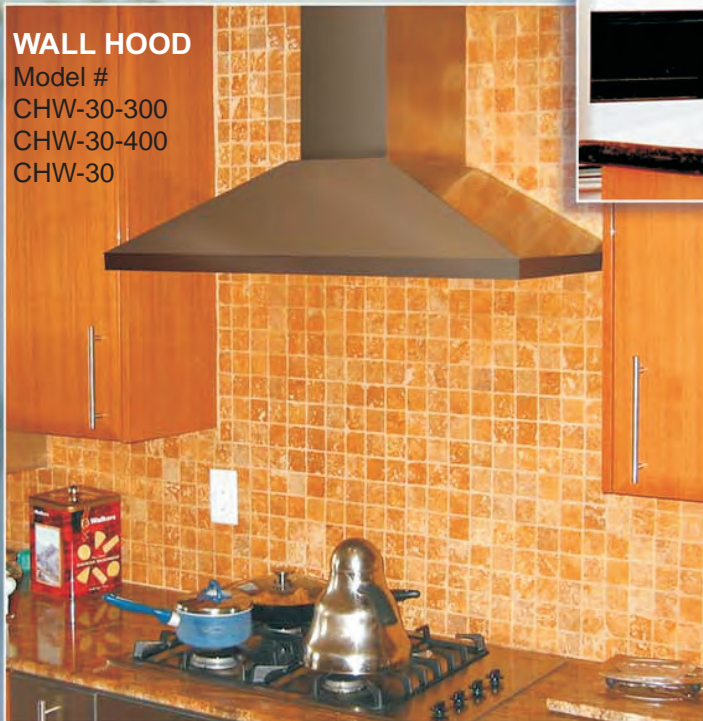
### ISLAND HOOD

Model #  
CHI-36-300  
CHI-36-400  
CHI-36



### WALL HOOD

Model #  
CHW-30-300  
CHW-30-400  
CHW-30

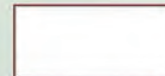


TWIN BLOWER UNIT

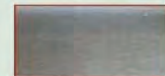


ROOF/WALL VENTILATOR

HOODS ARE AVAILABLE IN



WHITE PAINTED



STAINLESS STEEL

Reversomatic Manufacturing Ltd.

790 ROWNTREE DAIRY ROAD, WOODBRIDGE, ONTARIO, CANADA L4L 5V3 · PHONE (905) 851-6701 · FAX (905) 851-8376  
www.reversomatic.com EMAIL: info@reversomatic.com

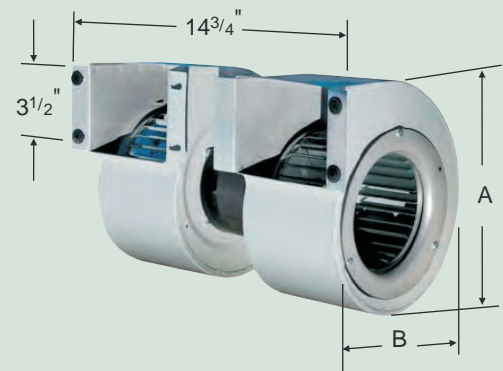
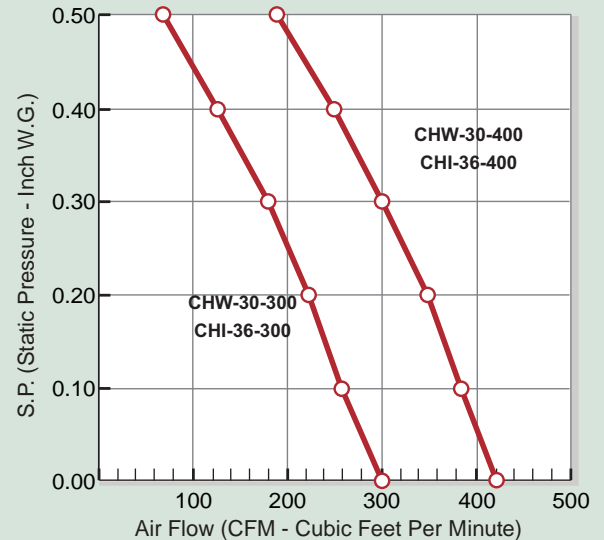
# STANDARD "CUSTOM HOODS"

## WITH INTERNAL TWIN BLOWER OR ROOF/WALL VENTILATOR

REVERSOMATIC is pleased to introduce the most efficient, powerful and attractive custom designed standard "Custom Hoods" to bring your culinary experience to new heights. Aside from providing optimum ventilation, Reversomatic's advanced technology works hard at whisper quiet levels to remove undesirable elements such as heat, odors, grease and smoke.

### SPECIAL FEATURES:

- Simple operation, enduring quality, attractive styling, elegant finish
- Sizes: 30" (Wall hood); 36" (Island Hood)
- An option to use either the twin blower unit or a Roof/Wall ventilator with the standard "Custom Hood"
- Powerful ventilation provided by highly efficient internal twin centrifugal blowers - 300 CFM & 400 CFM
- Two 20W halogen lights (included) for multi level cook top lighting
- Washable aluminum grease filter
- Keyhole mounting slots (wall hood) for easy installation
- Equipped with variable speed switch and rotary ON/OFF light switch
- 8" round duct connector support system
- Telescopic duct fits up to 9'6" high ceilings
- Fully adjustable mounting system for existing or new installation



### DIMENSIONAL DATA

BLOWERS	A	B
300 CFM	7 <sup>3</sup> / <sub>4</sub>	7 <sup>1</sup> / <sub>2</sub>
400 CFM	8 <sup>7</sup> / <sub>8</sub>	8 <sup>1</sup> / <sub>4</sub>

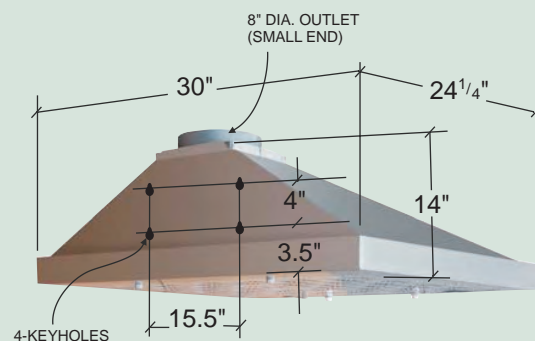
### HOOD DATA WITH INTERNAL TWIN BLOWER

MODEL	MOTOR 120 VAC 60 Hz		CUBIC FEET PER MINUTE							SONES
	RPM	AMPS	S.P.	0.0	0.10	0.20	0.30	0.40	0.50	
CHW-30-300 CHI-36 -300	1500	1.3	CFM	301	263	223	181	125	72	4.0
CHW-30-400 CHI-36 -400	1500	2.4	CFM	420	386	349	304	255	190	5.0

NOTE: Models CHI-36 & CHW-30 come without internal blower. Use roof/wall ventilator for these models.



ISLAND HOOD

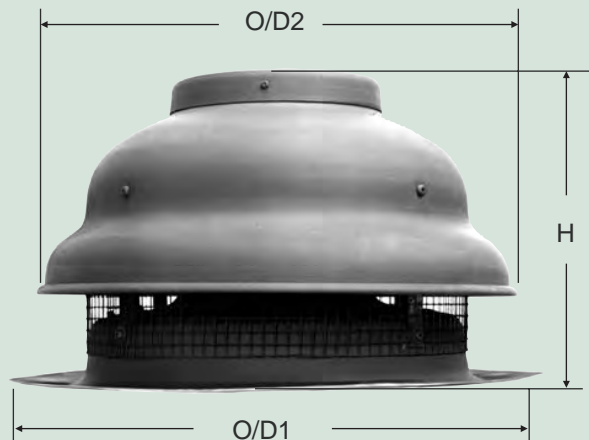


WALL HOOD

# ROOF OR WALL VENTILATOR FOR STANDARD "CUSTOM HOOD"

## RV-400, RV-800, RV-1200 ROOF MOUNTED FANS WRV-400, WRV-800, WRV-1200 WALL MOUNTED FANS

You have the opportunity of choosing three powerful ventilators. For smaller kitchens and canopies less than 3 ft. use RV-400. For large kitchens and canopies 3 ft.- 4 ft. use RV-800. For extra large kitchens and canopies 4 ft. or greater, use RV-1200. These powerful ventilators are equipped with backward inclined impellers that have superior suction for cooking odours, i.e. grease and smoke from heavy duty cooking. Due to a well balanced impeller motor, the noise level is less than 2.0 sones. Tests were done when each unit was installed 8 feet away from the hood.



MODEL	O/D1	O/D2	H"	Inlet Duct Dia.
RV-400, WRV-400	24"	17.5"	9.25	6"
RV-800, WRV-800	28"	21.3"	13.25	8"
RV-1200, WRV-1200	30"	25"	15	8"



IMPELLER / MOTOR UNIT  
FOR FANS RV/WRV-400, 800, 1200



### SPECIAL FEATURES:

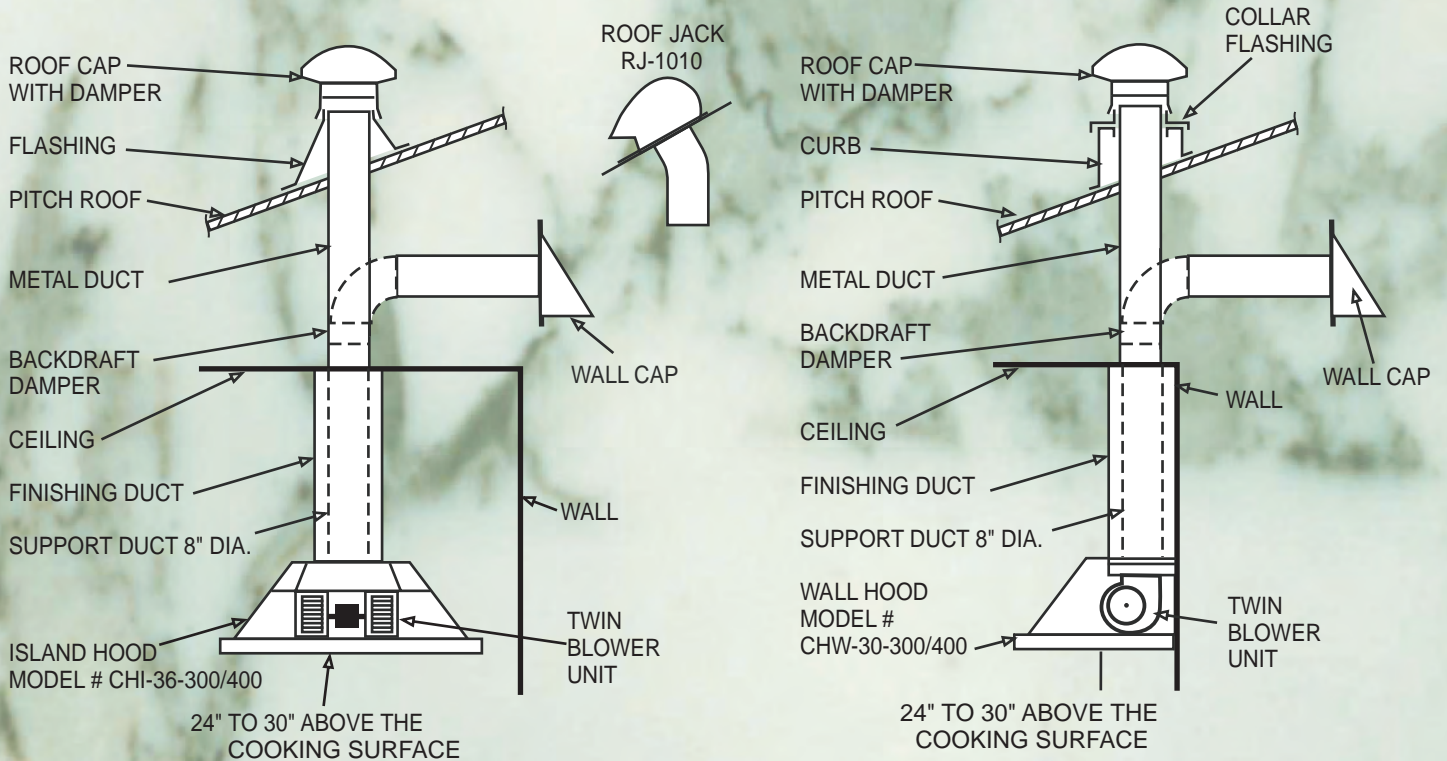
- SELF CLEANING IMPELLER
- COMPACT
- QUIET
- HIGH STATIC PRESSURE
- SEALED BALL BEARINGS
- GALVANIZED STEEL /ALUMINUM/ PLASTIC IMPELLER
- CAPACITOR (PSC MOTOR) FOR HIGH EFFICIENCY

### FAN DATA

MODEL	MOTOR 120 VAC 60Hz		CAPACITY (CUBIC FEET PER MINUTE)							
	RPM	AMP	S.P.	0.0	0.10	0.20	0.25	0.30	0.40	0.50
RV-400, WRV-400	1675	0.90	CFM	416	386	346	327	308	266	204
RV-800, WRV-800	1540	1.10		760	702	627	605	545	487	430
RV-1200, WRV-1200	1570	1.50		1050	1012	964	937	910	843	773

# TYPICAL INSTALLATION WITH TWIN BLOWER UNIT

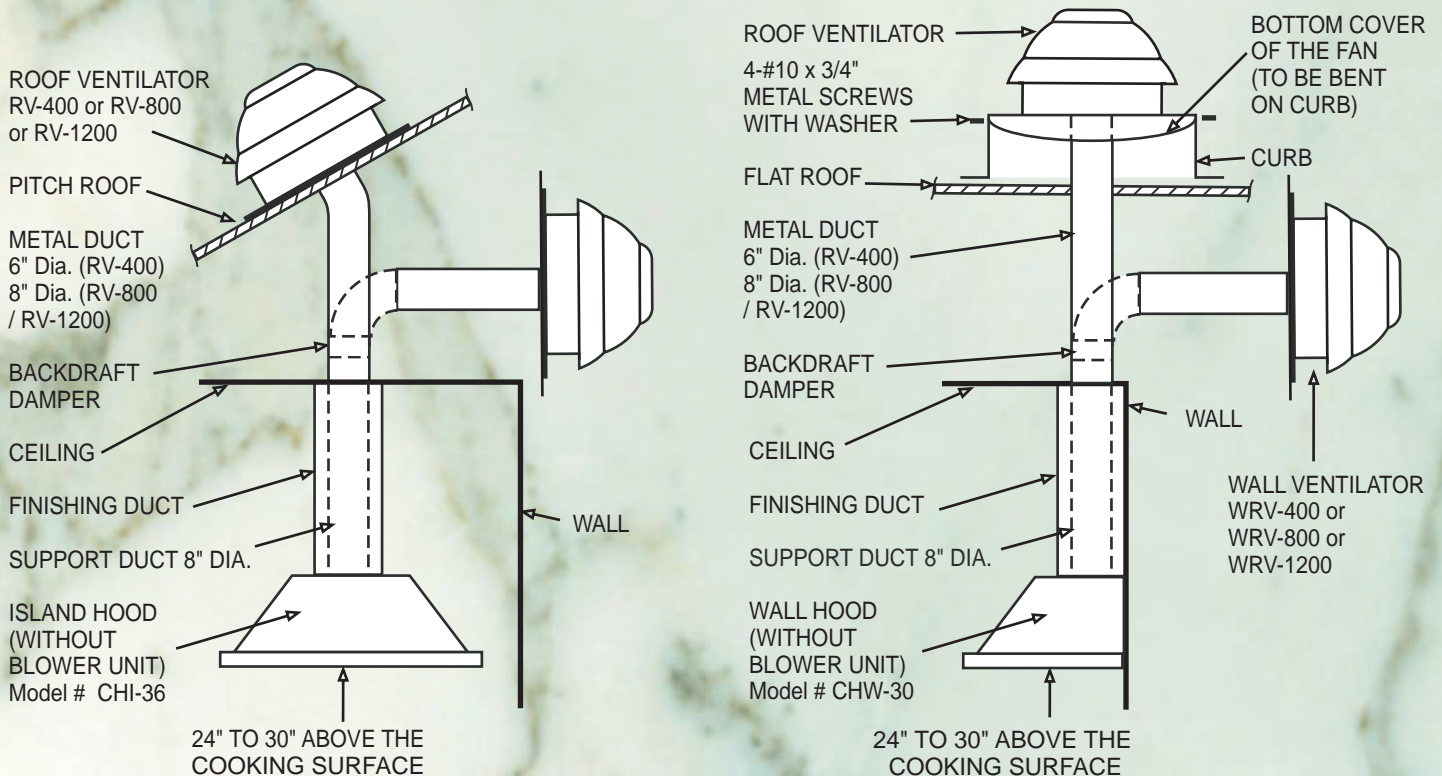
MODELS #CHI-36-300/400, CHW-30-300/400 WITH TWIN BLOWER UNIT



NOTE: USE ROOF JACK OR ROOF CAP OR WALL CAP TO EXHAUST AIR OUTSIDE AS SHOWN ABOVE.

# TYPICAL INSTALLATION WITH ROOF OR WALL VENTILATOR

MODELS #CHI-36, CHW-30 NO BLOWER (USE AS A CONTROL UNIT FOR ROOF/WALL VENTILATOR)



**REVERSOMATIC**  
MANUFACTURING LIMITED

790 Rowntree Dairy Road, Woodbridge, Ontario, Canada L4L 5V3  
Tel: 905-851-6701 • Fax: 905-851-8376 • info@reversomatic.com

[www.reversomatic.com](http://www.reversomatic.com)