



ACCESSORIES: LEAK-PROOF WALL BOXES

August 2009

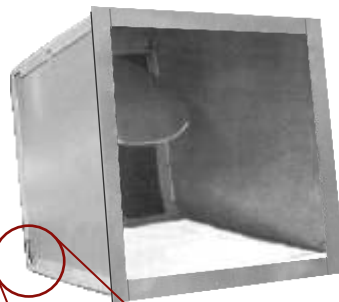
Test Standard:

Cyclic Static Test ASTM E547-00

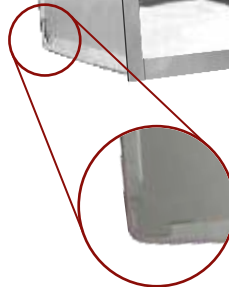
Tested @ 400 Pa

SINGLE WALL BOX

MODEL: SWBL-8



Extruded Aluminum Grille
(optional for all sizes)



Leak Proof Seamless
Flanged Wrap Construction

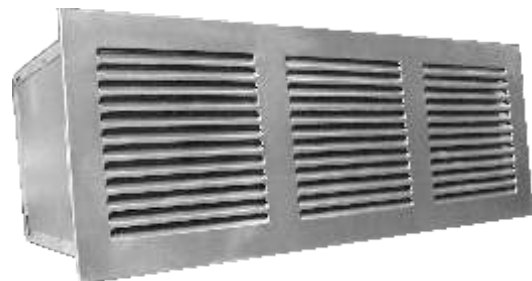
DOUBLE WALL BOX

MODEL: DWBL-8



TRIPLE WALL BOX

MODELS: TWBL-8



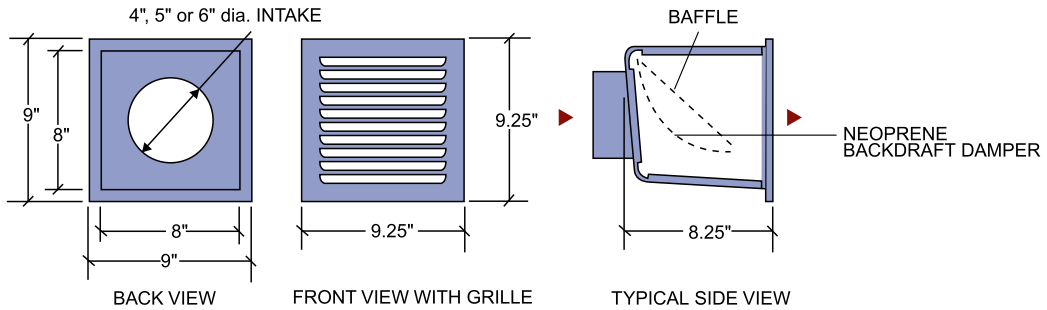
Grills standard: aluminum stucco.
Grills option: smooth finish.

Reversomatic Manufacturing Ltd.

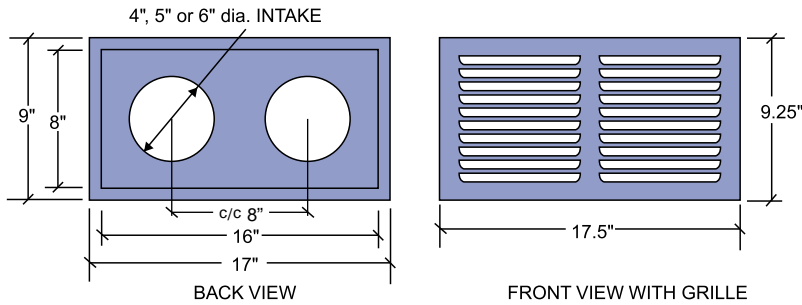
790 Rowntree Dairy Road, Woodbridge, ON Canada L4L 5V3 • Tel: 905-851-6701 • Fax: 905-851-8376
www.reversomatic.com • info@reversomatic.com

ACCESSORIES: LEAK-PROOF WALL BOXES

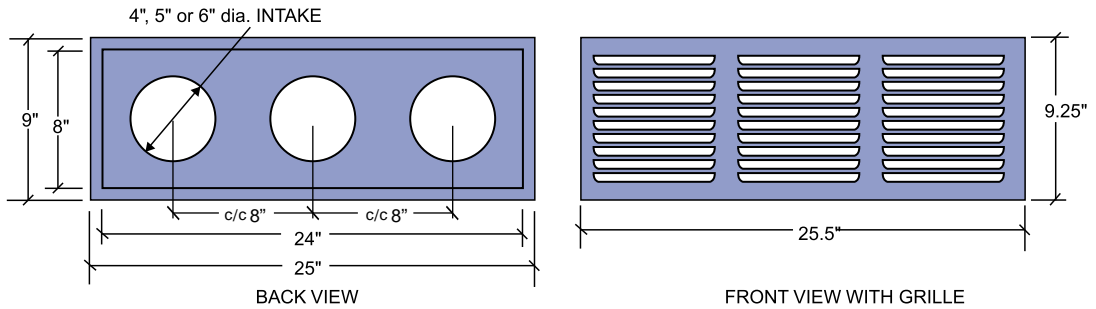
SINGLE WALL BOX MODEL: SWBL-8



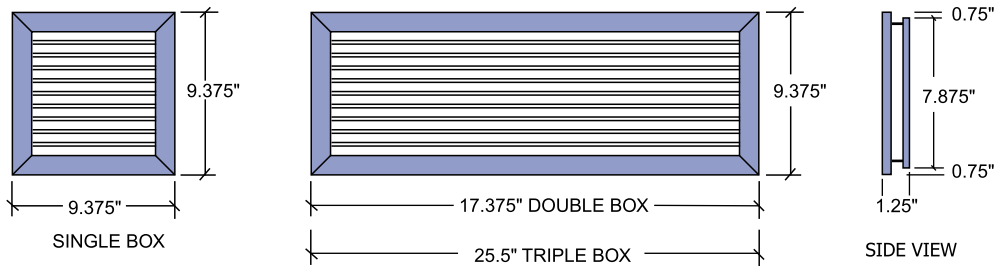
DOUBLE WALL BOX MODEL: DWBL-8



TRIPLE WALL BOX MODEL: TWBL-8



EXTRUDED ALUMINUM GRILLES



Contractor:		LEAK-PROOF WALL BOXES		
Architect:	Job:	Date	Supersedes	Drawing No.
Engineer:	Date Submitted:			