



REVERSOMATIC
MANUFACTURING LIMITED

LEAK PROOF FRESH AIR INTAKE WALL BOX

REVERSOMATIC Leak Proof Fresh Air Intake Wallbox is comply with AMCA Standard 511 for testing weather penetration effectiveness.

SINGLE WALL BOX



DOUBLE WALL BOX



TRIPLE WALL BOX



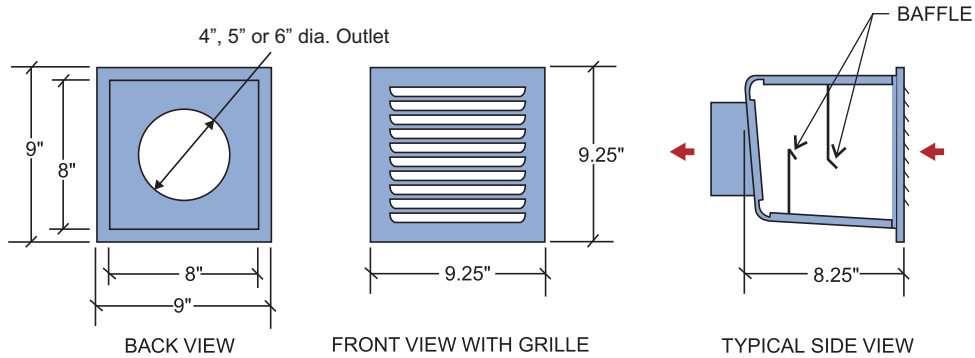
Grills standard: aluminum stucco.
Grills option: smooth finish.

Reversomatic Manufacturing Ltd.

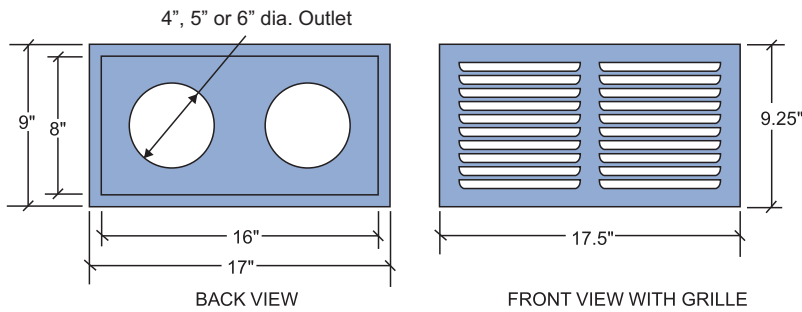
790 Rowntree Dairy Road, Woodbridge, ON Canada L4L 5V3 • Tel: 905-851-6701 • Fax: 905-851-8376
www.reversomatic.com • info@reversomatic.com

LEAK PROOF FRESH AIR INTAKE WALL BOX

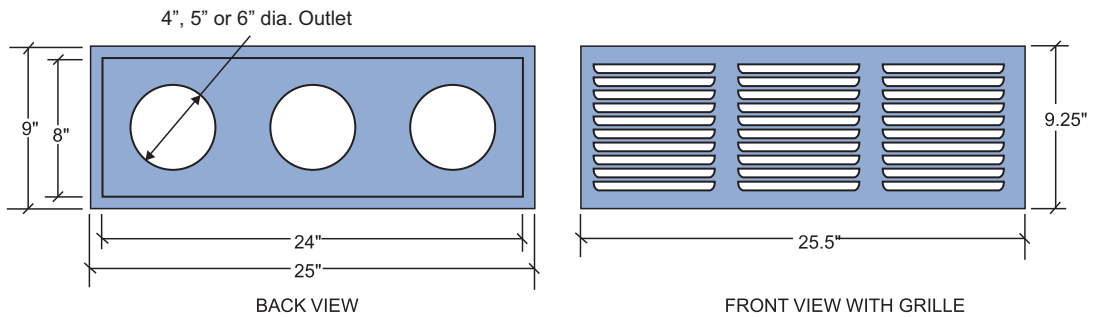
SINGLE WALL BOX



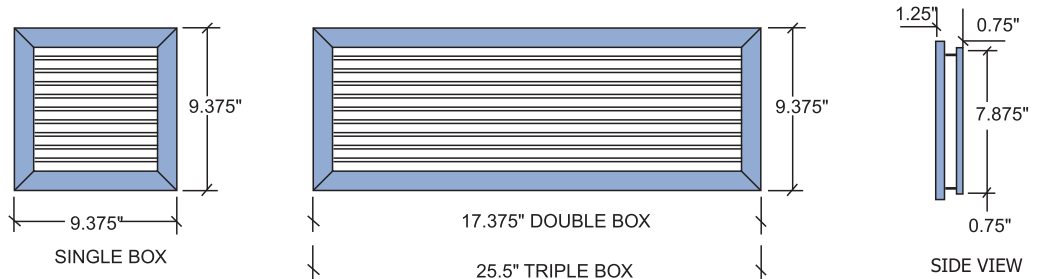
DOUBLE WALL BOX



TRIPLE WALL BOX



EXTRUDED ALUMINUM GRILLES



Check your local building codes before installation.

Contractor:		LEAK PROOF FRESH AIR INTAKE WALL BOXES		
Architect:	Job:	Date	Supersedes	Drawing No.
Engineer:	Date Submitted:			

Reversomatic Manufacturing Ltd.

790 Rowntree Dairy Road, Woodbridge, ON Canada L4L 5V3 • Tel: 905-851-6701 • Fax: 905-851-8376
www.reversomatic.com • info@reversomatic.com