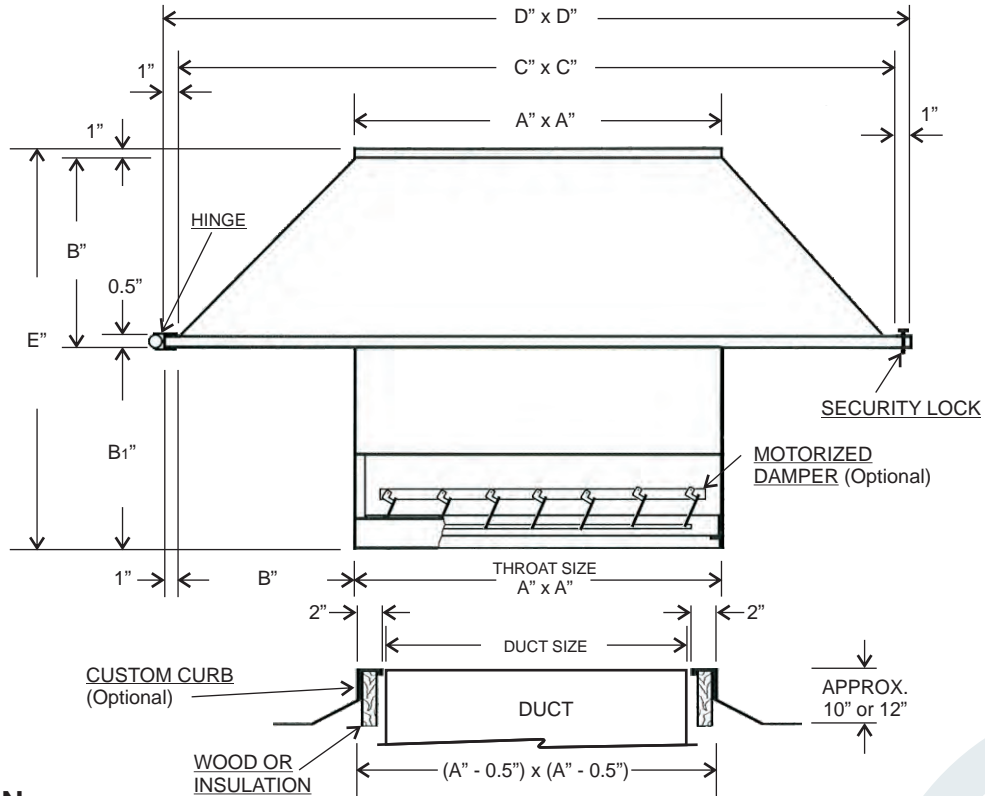




ROOF TOP EXHAUST (EH) & INTAKE (IH) HOOD DETAIL



DIMENSION

MODEL	DUCT SIZE	A''x A''	B''	B1''	C''	D''	E''	SHIPPING WEIGHT	
								LBS.	KG.
EH 12 IH 12	12 x 12	18 x 18	8 ½	8 ½	35	37	18	25	11.36
EH 16 IH 16	16 x 16	22 x 22	8 ½	8 ½	39	41	18	34	15.45
EH 18 IH 18	18 x 18	24 x 24	8 ½	8 ½	41	43	18	48	21.82
EH 20 IH 20	20 x 20	26 x 26	8 ½	8 ½	43	45	18	61	27.73
EH 24 IH 24	24 x 24	30 x 30	8 ½	8 ½	47	49	18	73	33.18
EH 30 IH 30	30 x 30	36 x 36	10 ½	10 ½	57	59	22	95	43.18
EH 36 IH 36	36 x 36	42 x 42	12	12	66	68	25	119	54.10
EH 42 IH 42	42 x 42	49 x 49	14 ½	14 ½	78	80	30	142	64.55
EH 48 IH 48	48 x 48	55 x 55	16	16	87	89	33	168	76.36
EH 54 IH 54	54 x 54	60 x 60	17.5	17.5	95	97	36	195	88.64
EH 60 IH 60	60 x 60	68 x 68	20	20	108	110	41	220	100.00

NOTE:

Exhaust Hood (EH)
- come w/ Steel Mesh

Intake Hood (IH)
- come w/ Aluminum Filter

*Add 6'' for Gravity Shutter and for Motorized Shutter in B1 dimension

All dimensions are shown in inches.

Contractor:		<input type="checkbox"/> Exhaust <input type="checkbox"/> Intake Hood		
Architect:	Job:	Date	Supersedes	Drawing No.
Engineer:	Date Submitted:			

Reversomatic Manufacturing Ltd.

790 Rowntree Dairy Road, Woodbridge, ON, Canada L4L 5V3 • Tel: 905-851-6701 • Fax: 905-851-8376
www.reversomatic.com • info@reversomatic.com