



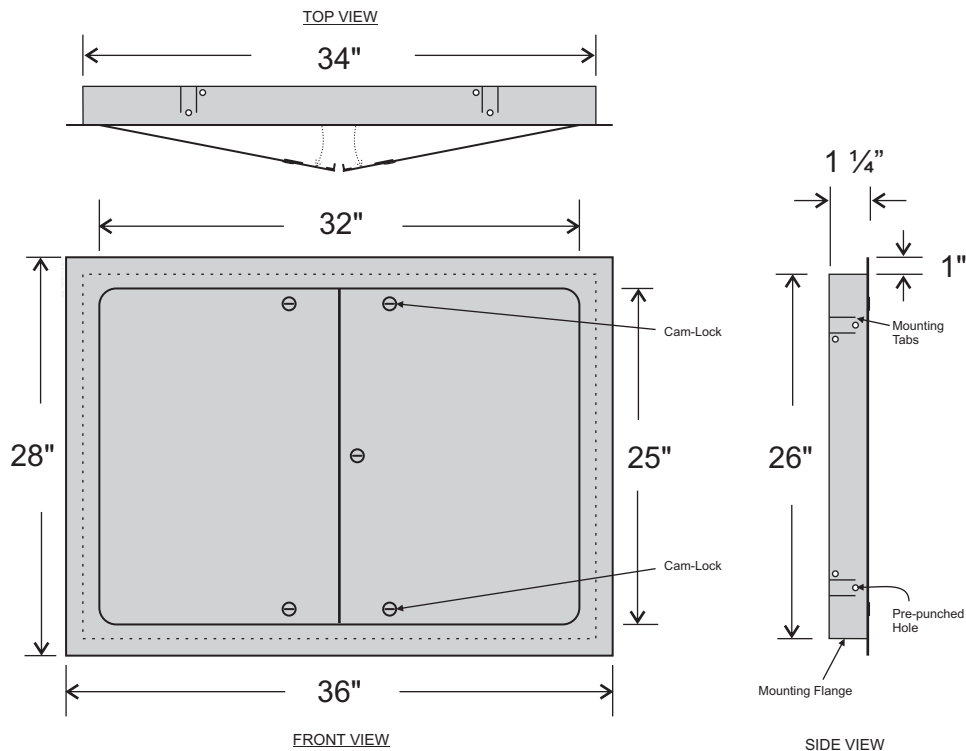
FLAT - ADF 3426

The "ADF 3426" are manufactured from 20 gauge satin coat steel for corrosion resistance and come with a screwdriver operated cam-lock.

These doors are featured with round cornered flange invisible hinge and flush mounted door panel. They can be installed on drywall, masonry and tiles surfaces.

For easy and quick installation bend back all mounting tabs onto drywall or use pre-punched holes to secure the door onto adjacent studs.

Custom Sizes, powder coated finishing and various color options are available upon request.



Weight:
App.11.2 lbs.

Contractor:		ADF 3426		
Architect:	Job:	Date	Supersedes	Drawing No.
Engineer:	Date Submitted:			