



REVERSOMATIC
MANUFACTURING LIMITED

NEW

DSC300-115

DRYER STARTER CONTROL BOX
FOR 115V DRYER

**NO MORE WORRIES ABOUT LINT &
HUMIDITY DUE TO FAN FAILURE**



Dryer Starter Control DSC300-115 is a pre-wired unit with dryer plug for easy and simple installation for the electrician. This control works in conjunction with the booster fan. When booster fan is in "ON" it will engage power to the starter control box and only then the dryer can be turned "ON".

NOTE:

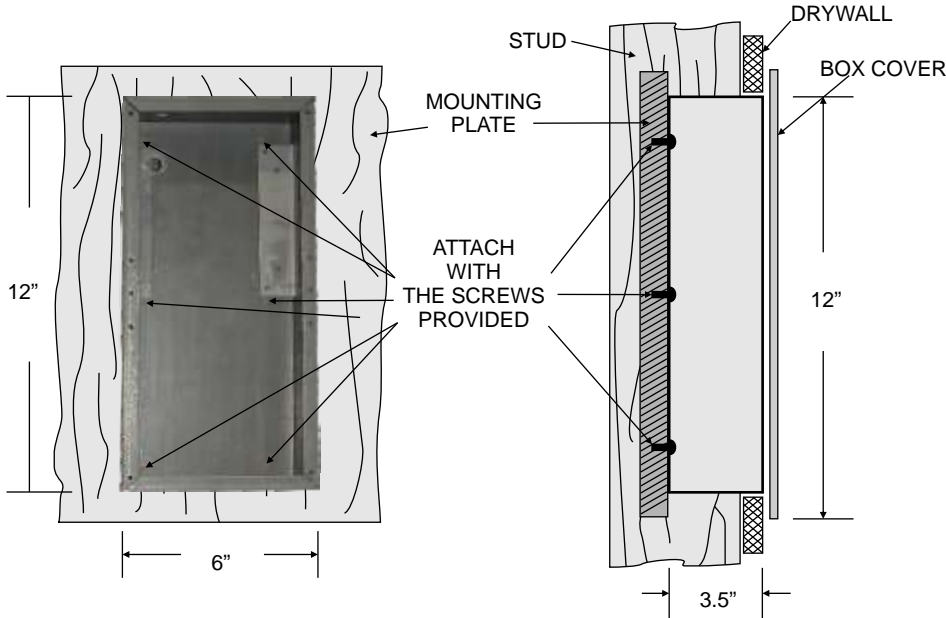
If booster fan for any reason does not work, the dryer can not be turned "ON"



Reversomatic Manufacturing Ltd.

790 Rowntree Dairy Road, Woodbridge, ON Canada L4L 5V3 • Tel: 905-851-6701 • Fax: 905-851-8376
www.reversomatic.com • info@reversomatic.com

STEP 1 : Install rough-in starter control box and provide power supply



STEP 2: Install Control Assembly



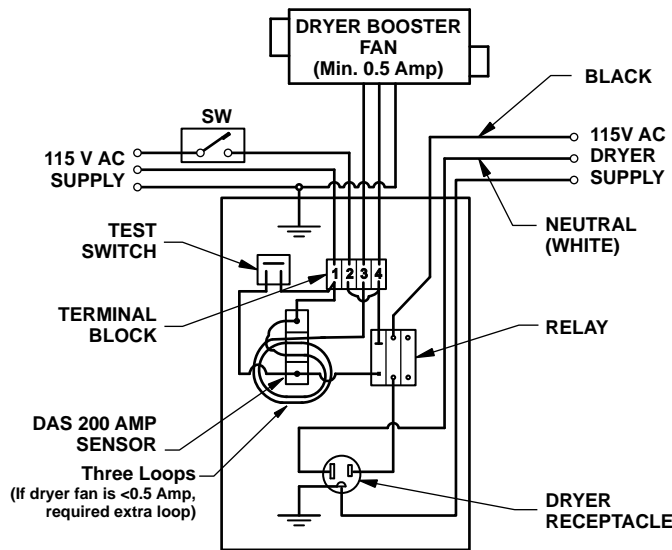
FAN : 120V, 60Hz, 15A max.
DRYER : 120V, 60Hz, 15A max.

STEP 3: Install dryer receptacle



NOTE: DSC300-115 is also available for 115V, 20 Amp. dryer. Contact factory

STEP 4: Connect Power Supply



SCHEMATIC WIRING DIAGRAM

STEP 5: Install Cover Plate



WARNING :

Installation of these units and the corresponding electrical wiring must be done by a qualified person and be in accordance with all municipal and national codes and standards.

Before wiring or servicing the units, switch power off at the service panel and lock it. If service panel is unlocked others could turn the power ON unexpectedly and cause fatal electric shock to the installer or service person.

Reversomatic Manufacturing Ltd.

790 Rowntree Dairy Road, Woodbridge, ON Canada L4L 5V3 • Tel: 905-851-6701 • Fax: 905-851-8376
www.reversomatic.com • info@reversomatic.com



REVERSOMATIC
MANUFACTURING LIMITED

DSC300-240

DRYER STARTER CONTROL BOX

NO MORE WORRIES ABOUT LINT & HUMIDITY DUE TO FAN FAILURE



Dryer Starter Control DSC300-240 is a pre-wired unit with dryer plug for easy and simple installation for the electrician. This control works in conjunction with the booster fan. When booster fan is in "ON" it will engage power to the starter control box and only then the dryer can be turned "ON".

NOTE:

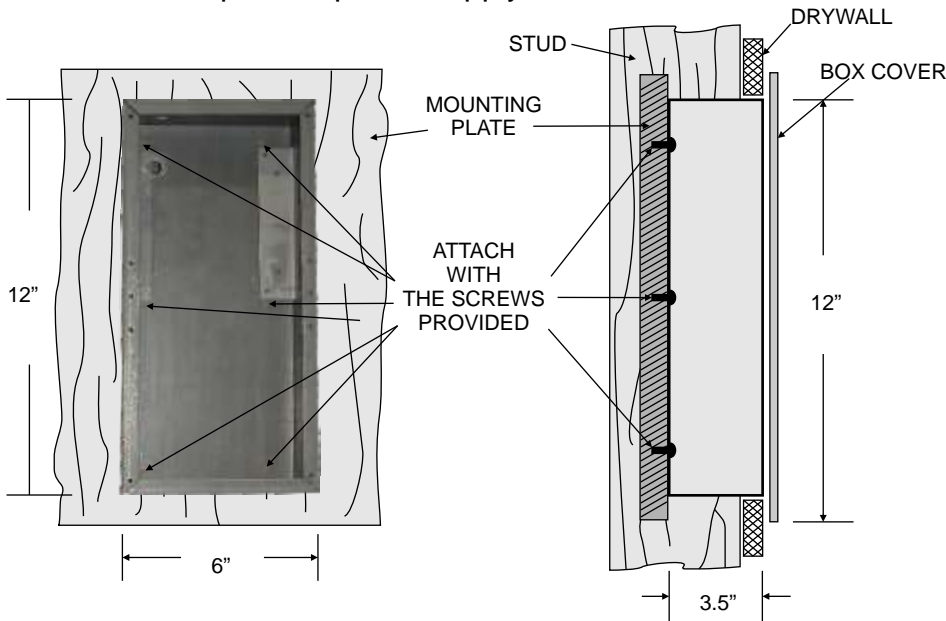
If booster fan for any reason does not work, the dryer can not be turned "ON"



Reversomatic Manufacturing Ltd.

790 Rowntree Dairy Road, Woodbridge, ON Canada L4L 5V3 • Tel: 905-851-6701 • Fax: 905-851-8376
www.reversomatic.com • info@reversomatic.com

STEP 1 : Install rough-in starter control box and provide power supply



STEP 2: Install Control Assembly

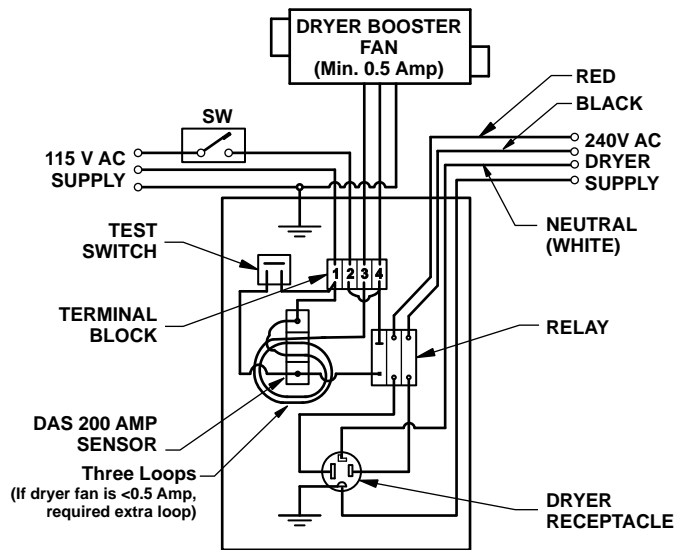


STEP 3: Install dryer receptacle



FAN : 120V, 60Hz, 15A max.
DRYER : 240V, 60Hz, 30A max.

STEP 4: Connect Power Supply



SCHEMATIC WIRING DIAGRAM

STEP 5: Install Cover Plate



WARNING :

Installation of these units and the corresponding electrical wiring must be done by a qualified person and be in accordance with all municipal and national codes and standards.

Before wiring or servicing the units, switch power off at the service panel and lock it. If service panel is unlocked others could turn the power ON unexpectedly and cause fatal electric shock to the installer or service person.

Reversomatic Manufacturing Ltd.

790 Rowntree Dairy Road, Woodbridge, ON Canada L4L 5V3 • Tel: 905-851-6701 • Fax: 905-851-8376
www.reversomatic.com • info@reversomatic.com