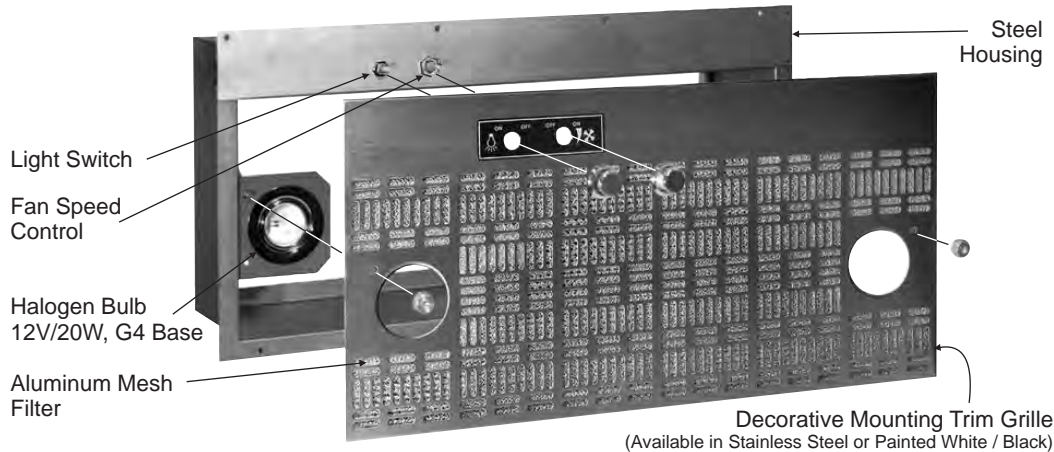




CU-500 / 700

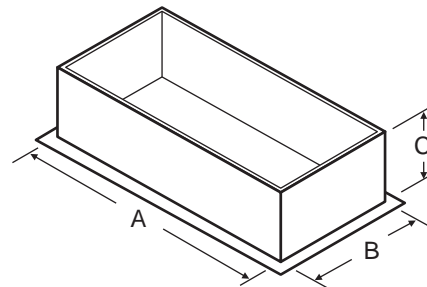
CONTROL UNIT FOR CUSTOM RANGE HOOD

These control units are installed in custom hoods when exterior roof or wall fans are used. They feature Solid State Speed Control plus Light Control for two 12V/20W, G4 base halogen lights mounted on the housing.



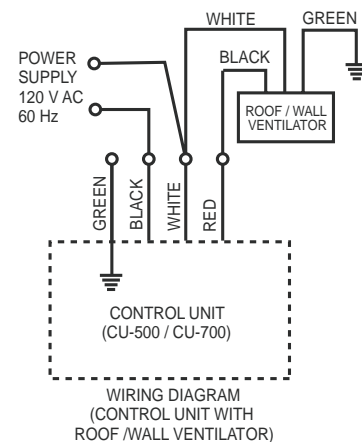
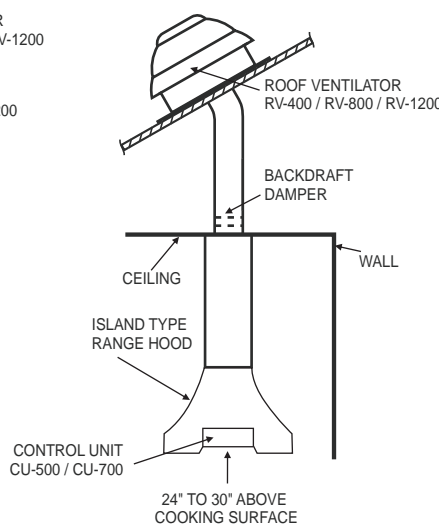
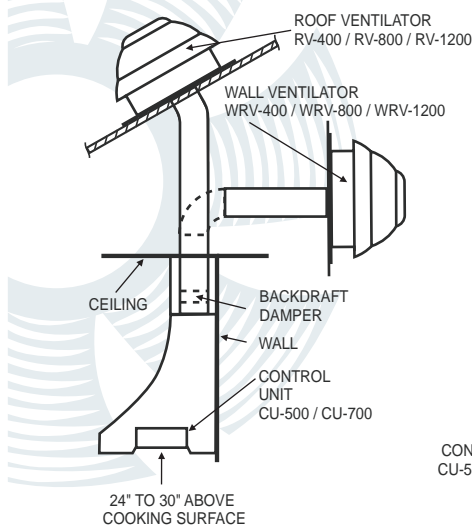
FEATURES:

- Interchangeable decorative mounting trim grille provides different finish options
- Two 20W halogen lights for multi level cooktop lighting
- Easily accessible washable aluminum mesh filter
- Full metal construction fire retardant
- One year limited parts and labor warranty



| Model | A" | B" | C" |
|--------|--------|--------|----|
| CU-500 | 22 1/2 | 10 1/4 | 5 |
| CU-700 | 30 | 14 | 5 |

TYPICAL INSTALLATION:



Reversomatic Manufacturing Ltd.

790 Rowntree Dairy Road, Woodbridge, ON Canada L4L 5V3 • Tel: 905-851-6701 • Fax: 905-851-8376
www.reversomatic.com • info@reversomatic.com