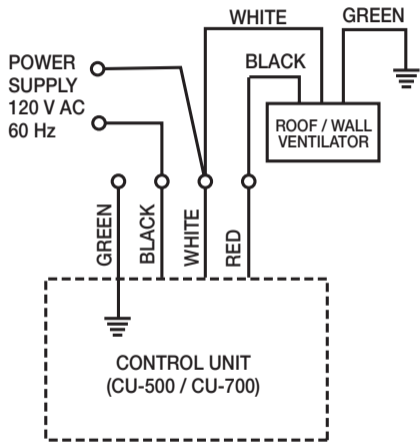


# TYPICAL INSTALLATION



WIRING DIAGRAM  
(CONTROL UNIT WITH  
ROOF / WALL VENTILATOR)

