

# STANDARD "CUSTOM HOOD"

Models # CHI-36-300/400, CHW-30-300/400, CHI-36, CHW-30

## INSTALLATION AND OPERATING INSTRUCTIONS

### IMPORTANT SAFETY INSTRUCTIONS READ AND SAVE THESE INSTRUCTIONS

#### WARNING :

##### TO REDUCE THE RISK OF FIRE, ELECTRIC SHOCK OR INJURY, OBSERVE THE FOLLOWING:-

1. Read all the instructions carefully before installation, operation or maintenance of the range hood. Failure to comply with instructions could result in personal injury and/or property damage.
2. Installation of the range hood and the corresponding electrical wiring must be done by a qualified person and be in accordance with all municipal and national electrical Codes and pertinent industry standards should be verified before installation.
3. Use the unit only for the intended applications and in the manner indicated by the manufacturer. If you have any questions please contact the manufacturer at the address or telephone number listed below.
4. Moving Parts, Disconnect Power supply before opening. Ensure that all the nuts are securely fastened before restarting the unit.
5. Before wiring, servicing or cleaning the unit, switch power off at the service panel and lock it. If service panel is unlocked others could turn the power on unexpectedly and cause fatal electric shock to the installer.
6. When cutting or drilling into wall or ceiling, make sure that you do not damage electrical wiring and other hidden utilities.
7. Always vent the unit to the outdoors, NOT into unventilated spaces such as garages, attics, crawl spaces, etc.
8. Always use metal duct work to reduce the risk of fire.
9. The unit must be grounded.
10. Do not use this unit for commercial purpose.
11. Do not use any accessories not recommended by the manufacturer.
12. **To reduce the risk of range top grease fires :-**
  - a. Never leave cooking unattended at high settings. Boilovers cause smoking and greasy spillovers that may ignite. Heat oils slowly on low or medium settings.
  - b. Always turn the hood ON when cooking at high heat or when cooking flaming foods.
  - c. Clean ventilating fans frequently. Do not allow grease to accumulate on the fan or the filter.
  - d. Use proper-sized pans that correspond to the size of the stove, and the amount of food being cooked.
13. **To reduce the risk of personal injury in the event of a range top grease fires :-**
  - a. Never pick up a flaming pan, as you may be burned.
  - b. Do not use water, including wet dishclothes or towels to put out a fire. A violent steam explosion may result.
  - c. Smother flames with a close-fitting lid, metal tray, or cookie sheet. Then turn off the burner. **BE CAREFUL TO AVOID BURNS.** If the flames are not put out immediately, evacuate and call the fire department.
  - d. Use an extinguisher only if:
    - You have a class ABC extinguisher and you already know how to operate it.
    - The fire is small and contained in the area where it started.
    - The fire department is being called.
    - You can fight the fire with your back to an exit.

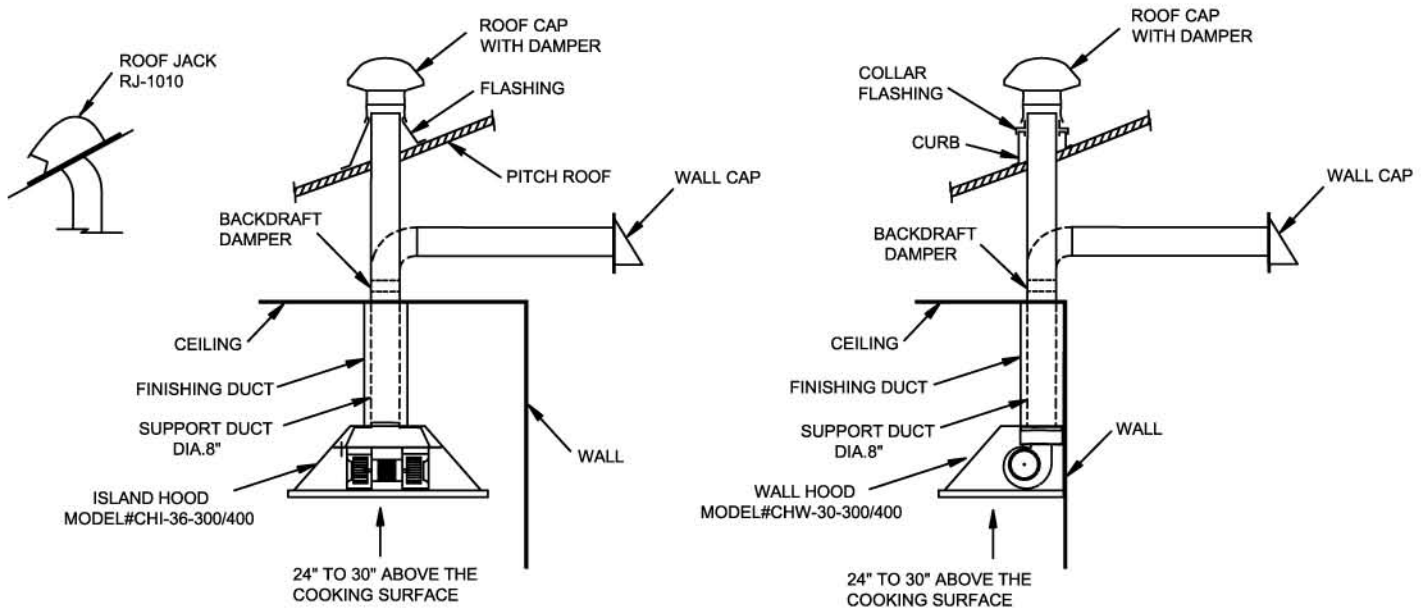


**REVERSOMATIC**  
MANUFACTURING LIMITED

790 ROWNTREE DAIRY ROAD WOODBRIDGE, ONTARIO L4L 5V3 CANADA  
PHONE:- (905) 851-6701 FAX:- (905) 851-8376 E-mail:- info@reversomatic.com  
www.reversomatic.com

# TYPICAL INSTALLATION WITH TWIN BLOWER UNIT

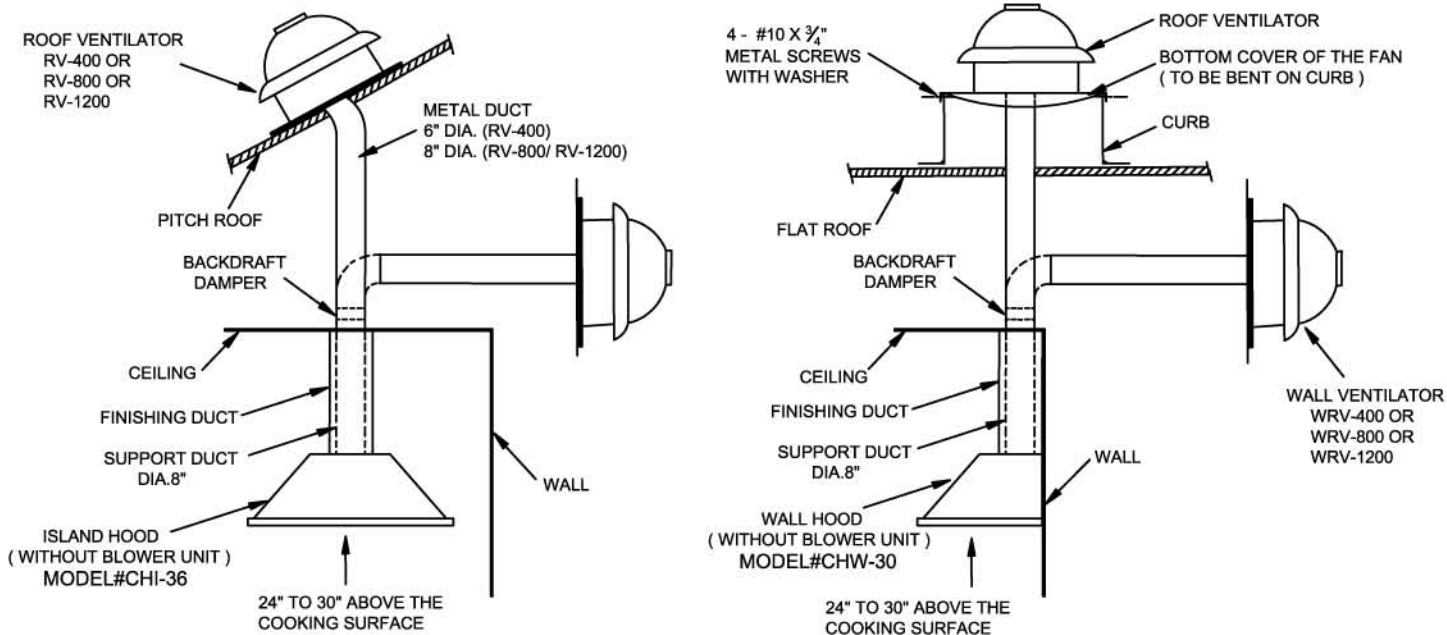
MODELS # CHI-36-300/400, CHW-30-300/400 WITH TWIN BLOWER UNIT



**NOTE :** USE ROOF JACK OR ROOF CAP OR WALL CAP TO EXHAUST AIR OUTSIDE AS SHOWN ABOVE.

# TYPICAL INSTALLATION WITH ROOF OR WALL VENTILATOR

MODELS # CHI-36, CHW-30 NO BLOWER ( USE AS A CONTROL UNIT FOR ROOF / WALL VENTILATOR )



**REVERSOMATIC**  
MANUFACTURING LIMITED

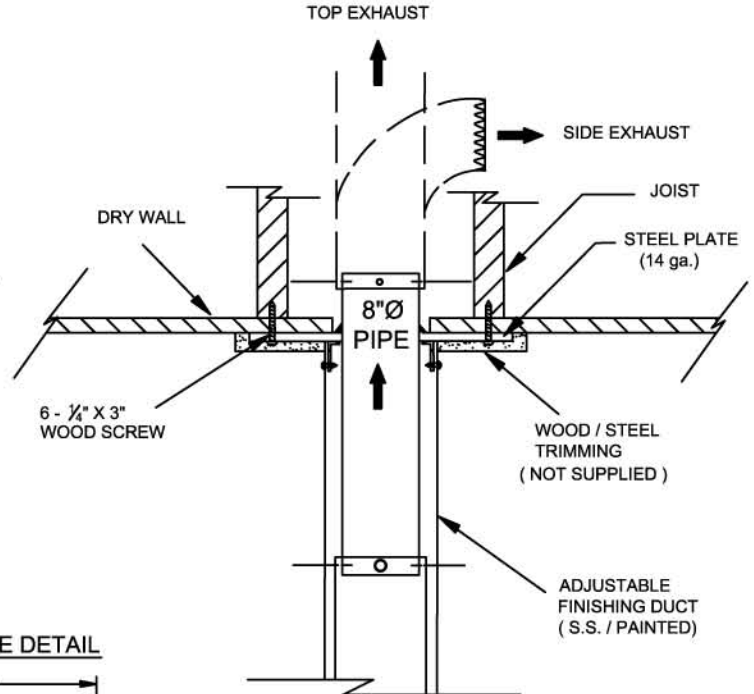
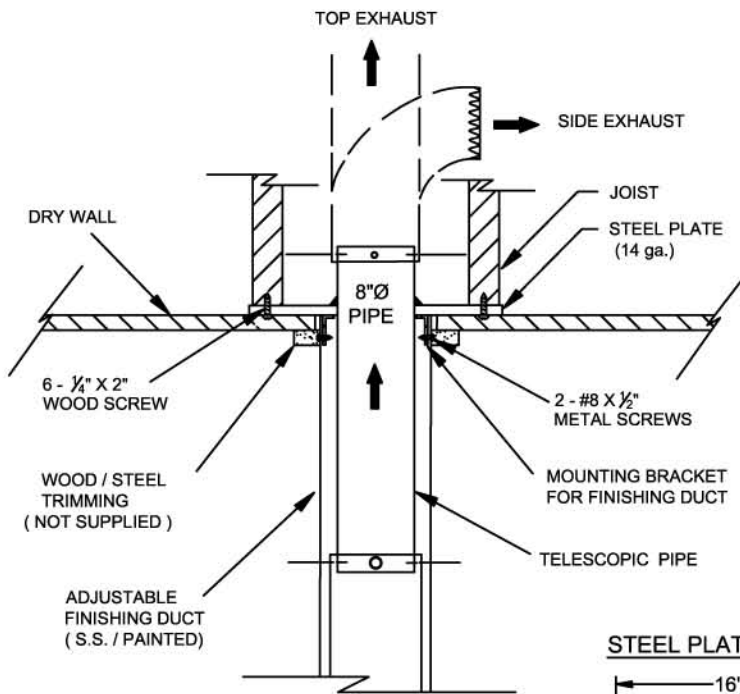
790 ROWNTREE DAIRY ROAD WOODBRIDGE, ONTARIO L4L 5V3 CANADA  
PHONE:- (905) 851-6701 FAX:- (905) 851-8376 E-mail:- info@reversomatic.com  
www.reversomatic.com

# TYPICAL INSTALLATION OF HOOD SUPPORT SYSTEM FOR CHI & CHW SERIES

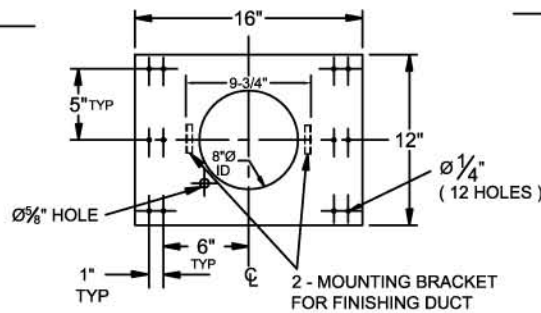
MODELS # CHI-36-300/400, CHW-30-300/400, CHI-36, CHW-30

## NEW INSTALLATION CONSTRUCTION

## EXISTING INSTALLATION CONSTRUCTION

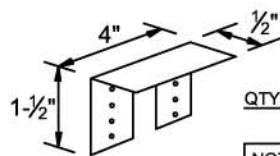
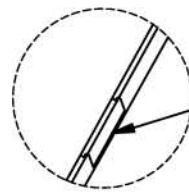


### STEEL PLATE DETAIL



TOP VIEW

### DETAIL - E

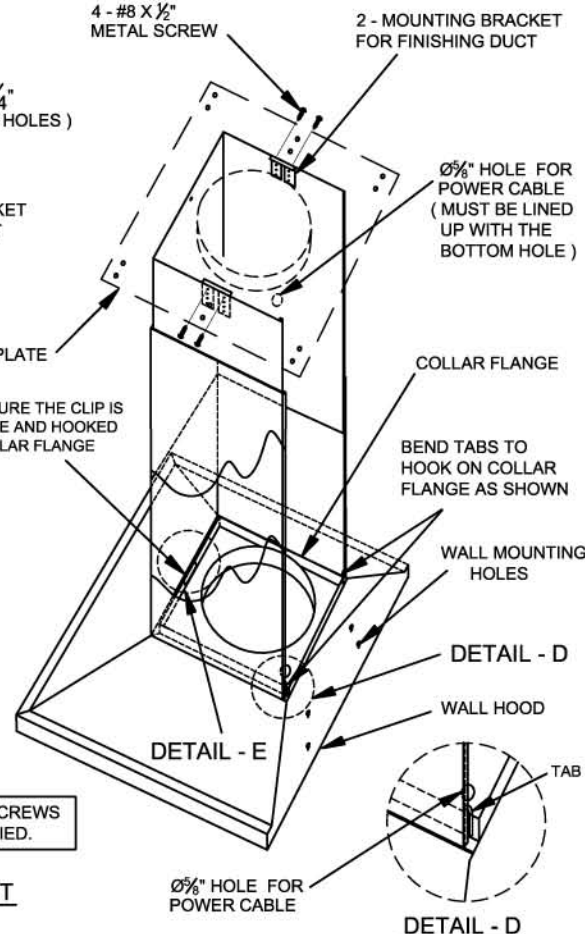


22 GA. S.C. STEEL

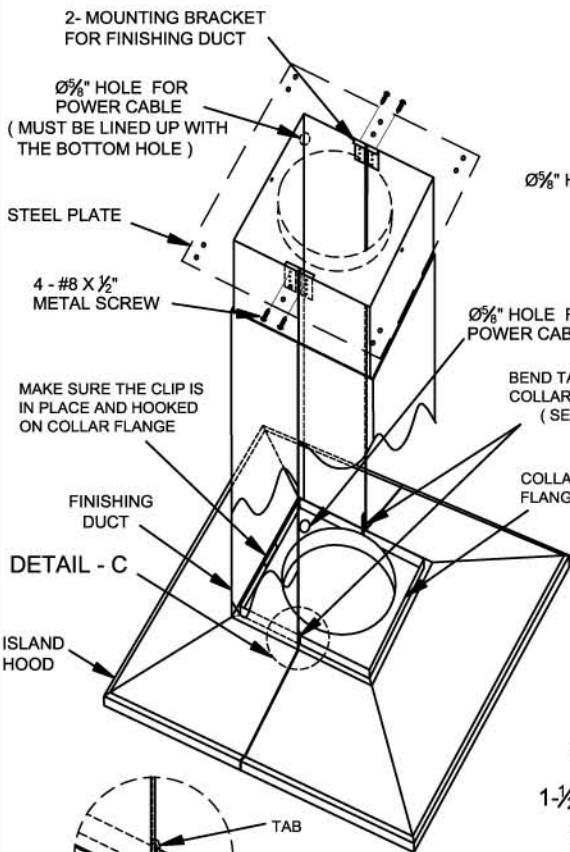
**MOUNTING BRACKET FOR FINISHING DUCT**  
( SPOT WELDED TO THE STEEL PLATE )

QTY. : 02 PCS.

NOTE : SHEET METAL SCREWS ARE NOT SUPPLIED.



DETAIL - D



DETAIL - C



**REVERSOMATIC**  
MANUFACTURING LIMITED

790 ROWNTREE DAIRY ROAD, WOODBRIDGE, ONTARIO L4L 5V3 CANADA.

PHONE : (905)851-6701 FAX : (905)851-8376 E-mail : info@reversomatic.com

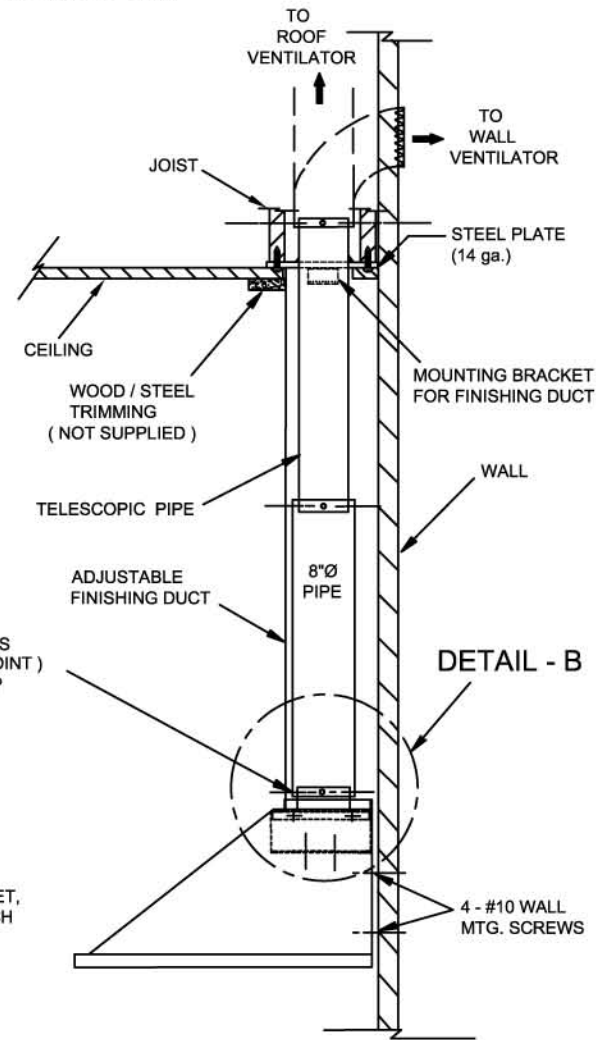
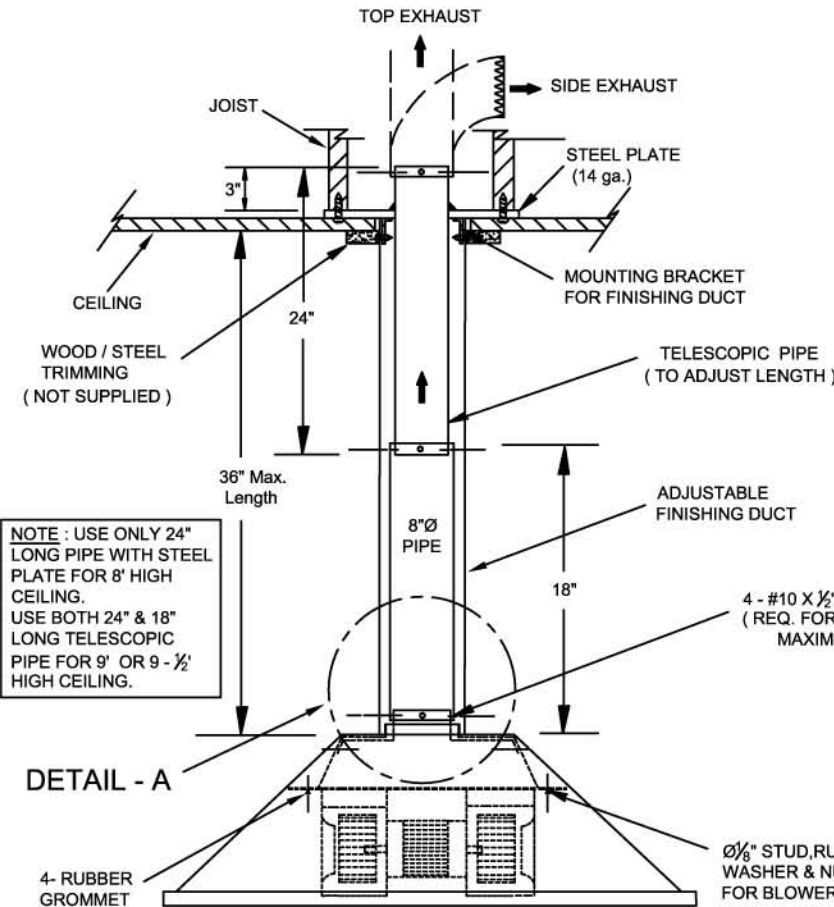
www.reversomatic.com

# ISLAND HOOD ( 36" )

( Model#CHI-36-300/400 shown )

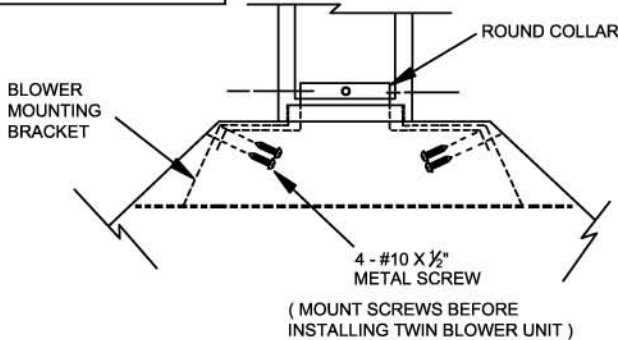
# WALL HOOD ( 30" )

( Model#CHW-30 shown )



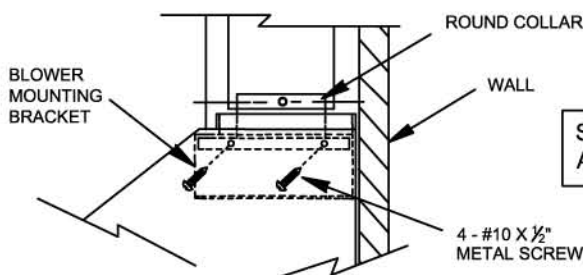
NOTE : WHILE INSTALLING THE TWIN BLOWER UNIT, MAKE SURE RUBBER GROMMETS ARE IN PLACE .

## DETAIL - A



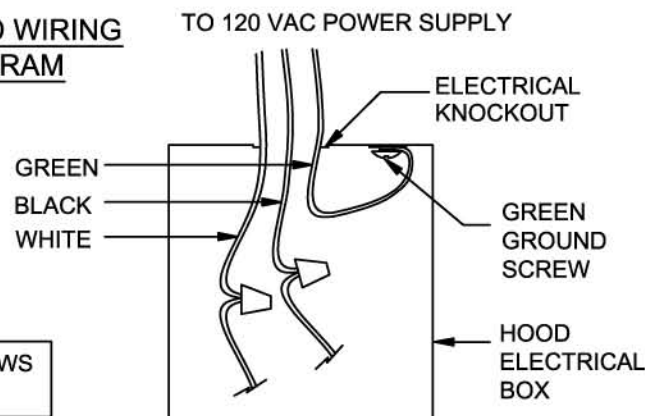
**IMPORTANT :** ROUND COLLAR MUST BE SECURED WITH MIN. #10 - 2 METAL SCREWS TO THE BLOWER MOUNTING BRACKET BEFORE INSTALLATION OF THE BLOWER UNIT AS SHOWN IN DETAIL-A & DETAIL-B.

## DETAIL - B



SHEET METAL SCREWS ARE NOT SUPPLIED.

## HOOD WIRING DIAGRAM



**REVERSOMATIC**  
MANUFACTURING LIMITED

790 ROWNTREE DAIRY ROAD, WOODBRIDGE, ONTARIO L4L 5V3 CANADA.  
PHONE : (905)851-6701 FAX : (905)851-8376 E-mail : info@reversomatic.com  
www.reversomatic.com