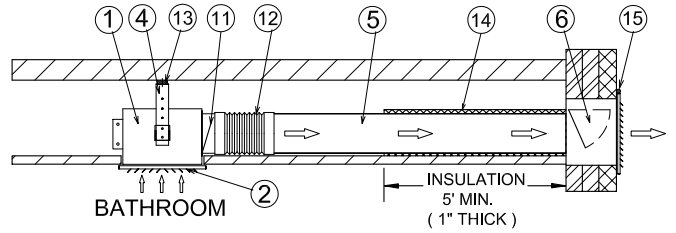
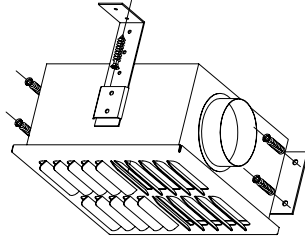
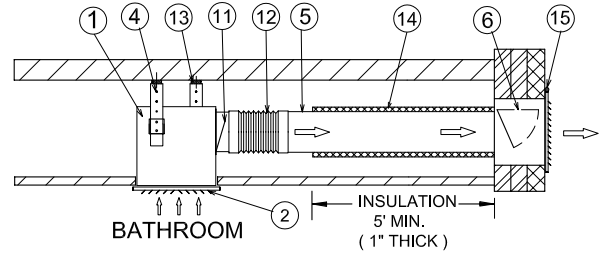


# EB & XL SERIES FAN

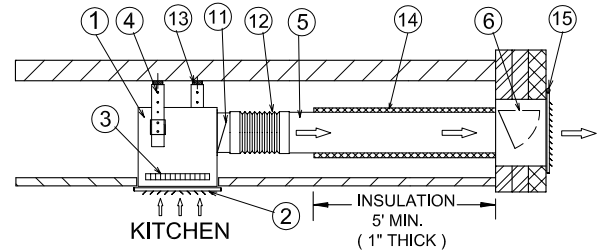
- EB45 QB60
- EB50 RS85
- EB55 RS90
- EB60 RS100
- EB70
- EB80
- EB100
- B60



- |         |        |        |         |        |
|---------|--------|--------|---------|--------|
| EB50FF  | CF170  | QCF95  | CFS250  | QCF130 |
| EB60FF  | QB80   | QCF110 | CFS350  |        |
| EB70FF  | QB100  | QCF125 | RS95    |        |
| EB80FF  | QB100S | QCF145 | LSF-80  |        |
| EB100FF | QB120  | QCF150 | RS90FF  |        |
| CF100   | QB-130 | QCF170 | RS100FF |        |
| CF130   | QB150  | CFS150 | B100    |        |



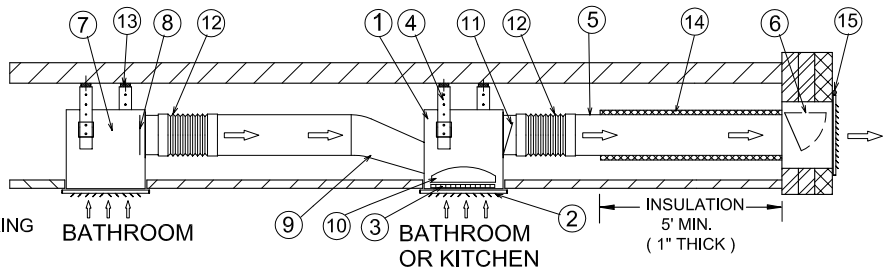
- K100
- BK100
- QK100



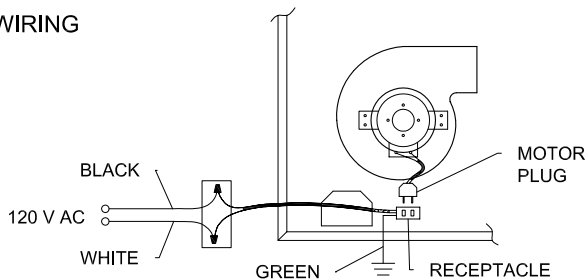
NOTE : GREASE FILTER MUST BE INSTALLED FOR KITCHEN USE ONLY.

## BB100 BK100 QB200

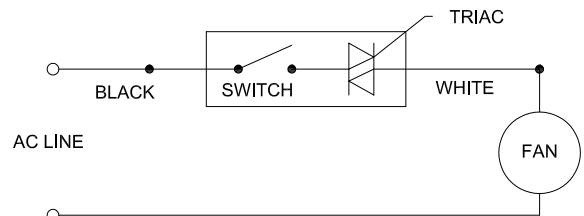
- |                                   |   |
|-----------------------------------|---|
| 1. FAN                            | 9. TRANSITION   |
| 2. GRILLE                         | 10. BAFFLE  |
| 3. GREASE FILTER (OPTIONAL)       | 11. BACK DRAFT DAMPER   |
| 4. MOUNTING BRACKET (OPTIONAL)    | 12. FLEXIBLE CANVAS DUCT CONNECTOR  |
| 5. DISCHARGE PIPE                 | 13. RUBBER GROMMET  |
| 6. LEAKPROOF WALL BOX             | 14. INSULATION  |
| 7. BALANCE BOX                    | 15. CAULKING ( 3 SIDES ONLY, NOT ON BOTTOM, IF CAULKING ALL 4 SIDES, MUST HAVE DRAINING HOLES ) |
| 8. HAND ADJUSTABLE BALANCE DAMPER |   |



## TYPICAL WIRING DIAGRAM



## CONNECTION DIAGRAM FOR FAN SPEED CONTROL



- IMPORTANT** - MINIMUM CFM FOR VENTILATION AND/OR INTERCONNECTIONS OF DUCTS AND FANS COULD BE REGULATED BY YOUR LOCAL BY-LAWS. VERIFY ACCEPTANCE OF INSTALLATION WHEN NECESSARY.
- ALL FANS SHOULD HAVE BACKDRAFT DAMPER AT OUTLET. FANS WITH PRESSURE SENSING DEVICE MUST HAVE WALL-BOX EQUIPPED WITH BACKDRAFT DAMPER AS PER DRAWING.

**WARNING** - MOVING PARTS, DISCONNECT POWER SUPPLY BEFORE REMOVING ELECTRICAL BOX COVER.

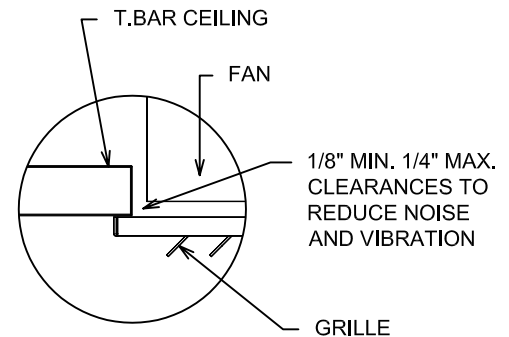
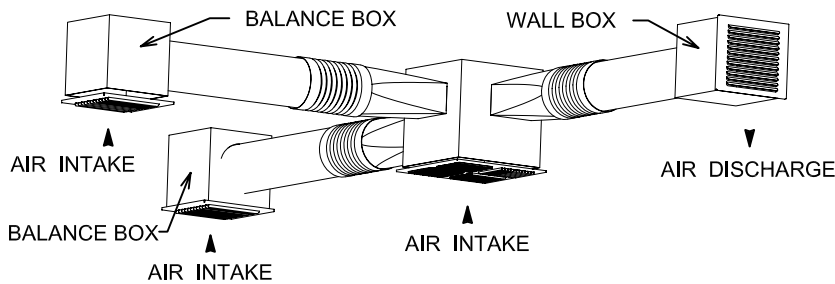
# XL SERIES FANS

## INSTALLATION INSTRUCTIONS

### READ AND SAVE THESE INSTRUCTIONS

**CAUTION** : TO AVOID THE RISK OF FIRE, ELECTRIC SHOCK OR INJURY, TURN POWER OFF AT SERVICE PANEL BEFORE INSTALLATION OR CLEANING OR SERVICING THIS UNIT.

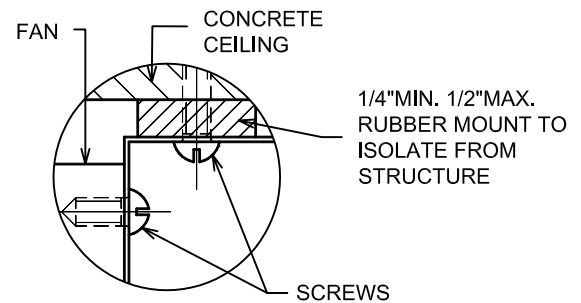
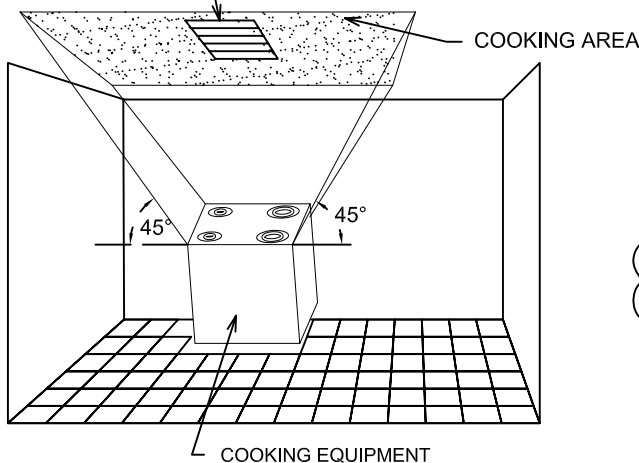
### CF225-CF375-CF425 BB100 BK100



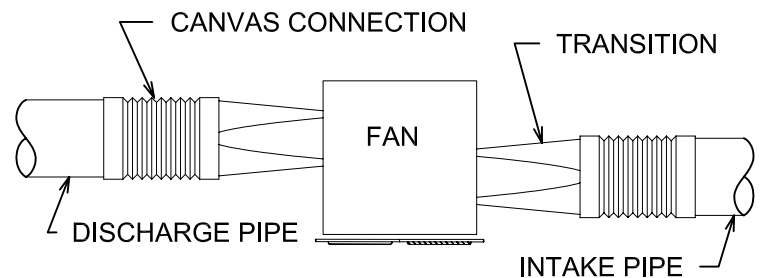
USE FAN WITH SP PLATE INSTEAD OF INTAKE GRILLE TO CONVERT BB-100 OR BK-100 IN TO CEILING FAN.

ONLY "K" MODELS CAN BE INSTALLED WITHIN COOKING AREA

ALL OTHER MODELS TO BE INSTALLED OUTSIDE COOKING AREA



### IN LINE INSTALLATION



### WARNING

FOR PROPER INSTALLATION AND REDUCTION OF NOISE AND VIBRATION:

- DO NOT SUSPEND FAN FROM DRYWALL OR LATHING CHANNELS, SUSPEND FROM CONCRETE CEILING OR WOOD FRAME.
- AVOID DIRECT CONTACT OF FAN WITH "T" BAR OR CEILING.
- MAKE SURE THAT RUBBER MOUNTS, GASKETS AND GROMMETS ARE IN PLACE.

- AVOID USE OF FLEXIBLE PIPE.
- CONNECT FAN WITH FLEXIBLE CANVAS DUCT CONNECTOR

OILING MIGHT EXTEND LIFE OF MOTORS. IF SO DESIRED USE 20 WEIGHT NON DETERGENT AUTOMOTIVE OIL.



790 ROWNTREE DAIRY ROAD WOODBRIDGE, ONTARIO L4L 5V3 CANADA  
 PHONE:- (905) 851-6701 FAX:- (905) 851-8376 E-mail:- info@reversomatic.com  
 www.reversomatic.com