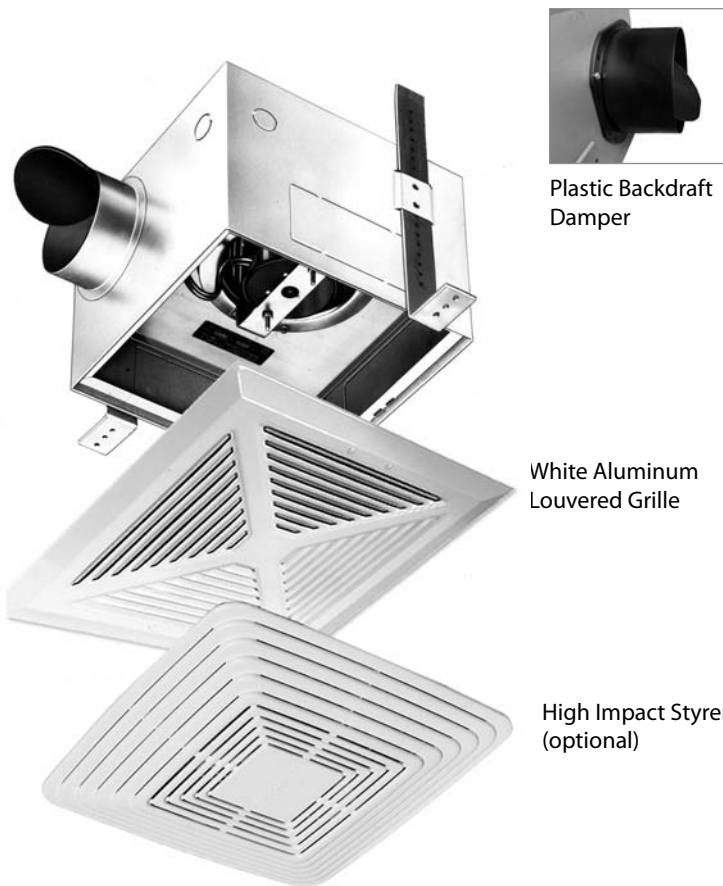


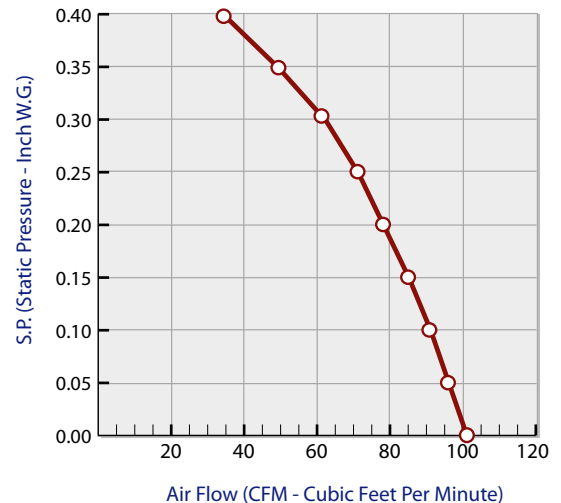


**XL SERIES
BATHROOM EXHAUST FAN**

The B-100 fan is specially designed for bathrooms in apartments which require exceptionally low noise levels. It is available with mounting brackets for easy installation. The B-100 is constructed of corrosion resistant heavy gauge satin coat steel.



B-100 FAN DATA



ACCESSORIES

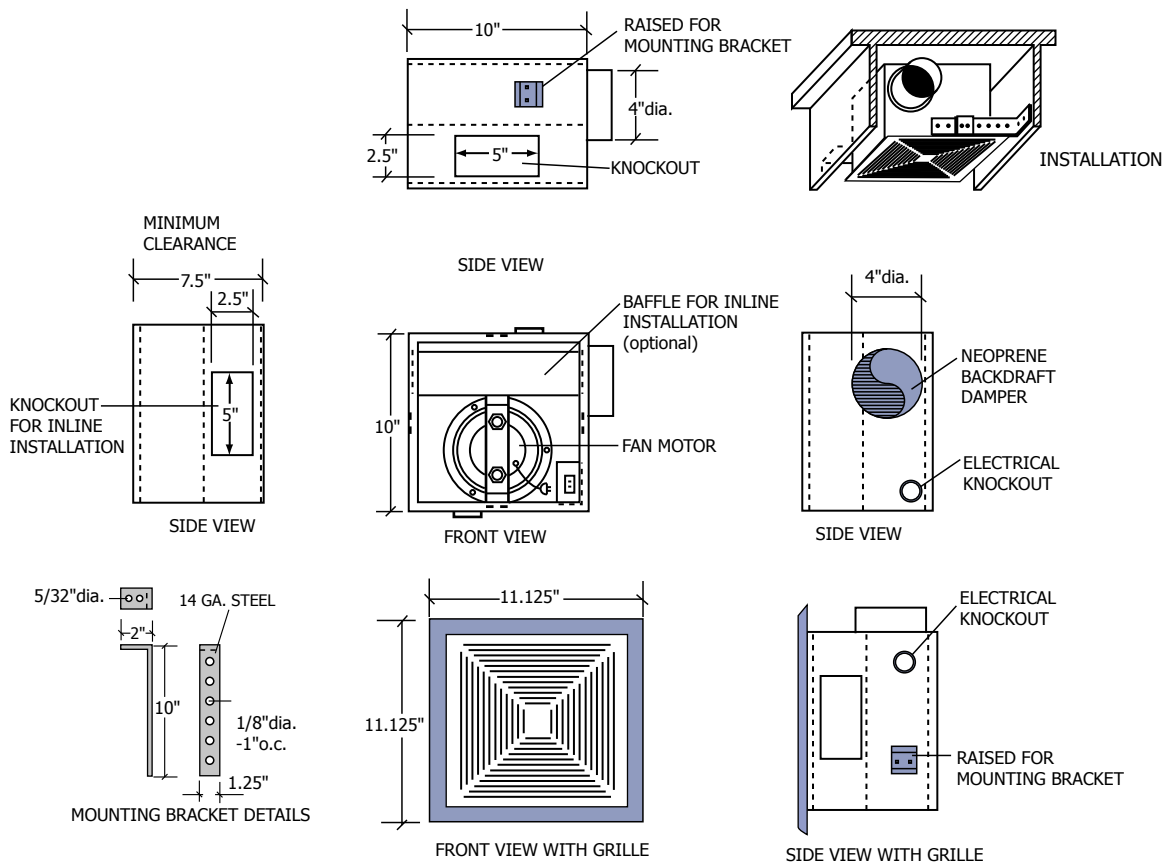
Standard:

- Mounting brackets
- Plastic backdraft damper or metal collar with neoprene damper
- White aluminum louvered grille

Optional:

- Variable speed control
- Aluminum backdraft damper
- Plastic snap-in grille
- Baffle
- Inline transition
- Balance box





FAN DATA

MODEL	MOTOR 120 VAC 60 Hz		CUBIC FEET PER MINUTE										Sones
	RPM	AMPS	S.P.	0.00	0.05	0.10	0.15	0.20	0.25	0.30	0.35	0.40	
B-100	1400	0.60	CFM	102	97	92	86	79	72	63	50	35	3.0

RPM (Revolution Per Minute) shown is nominal and performance is based on actual speed of test. Unit was tested with inlet grille, backdraft damper and outlet duct.

SOUND RATING

OCTAVE BAND		1	2	3	4	5	6	7	8
CENTER FREQUENCY Hz		63	125	250	500	1000	2000	4000	8000
STATIC PRESSURE INCH W.G.	0.00	62.3	55.0	56.5	56.6	54.5	46.6	48.9	49.7
	0.19	60.2	54.7	53.5	53.8	52.3	44.0	45.6	47.0
	0.41	62.2	54.5	51.6	49.6	46.1	40.5	43.4	49.7

The sound power level ratings shown are in decibels, referred to 10⁻¹² watts calculated per AMCA Standard 301. Values shown are for inlet Lwi sound power levels for installation Type B: free inlet, ducted outlet. Ratings do not include the effects of duct end correction.

Contractor:	B-100		
Architect:	Job:	Data	Supersedes
Engineer:	Date Submitted:		Drawing NO.

Reversomatic Manufacturing Ltd.