



SUPER QUIET EXHAUST FANS

The QK-160ES and QK-180ES fans are designed for high performance and super quiet operation. These fans are equipped with uniquely designed mounting slots that allow for easy installation on concrete ceiling or wooden joists. These fans are constructed with corrosion resistant, heavy gauge satin coat steel. The QK-160ES fan is also suitable for kitchen exhaust with a grease filter.



Hi-Impact Polystyrene Collar

Standard Slotted White Grille

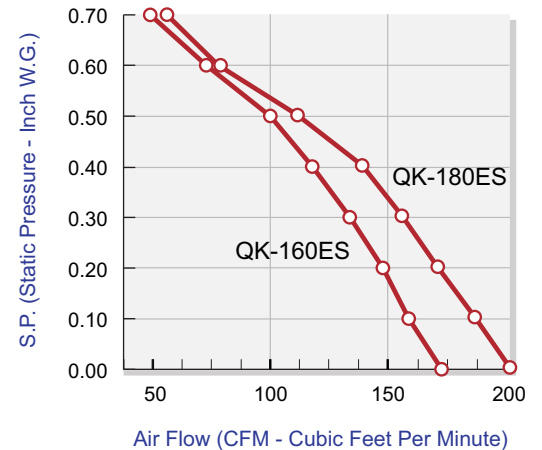
Optional Grilles:

Louvered Grille (13" x 13")

Aluminum Louvered Grille (13" x 13")

White High Impact Styrene Grille (13.5" x 13.5")

QK-160ES & QK-180ES FAN DATA



ACCESSORIES

Standard:

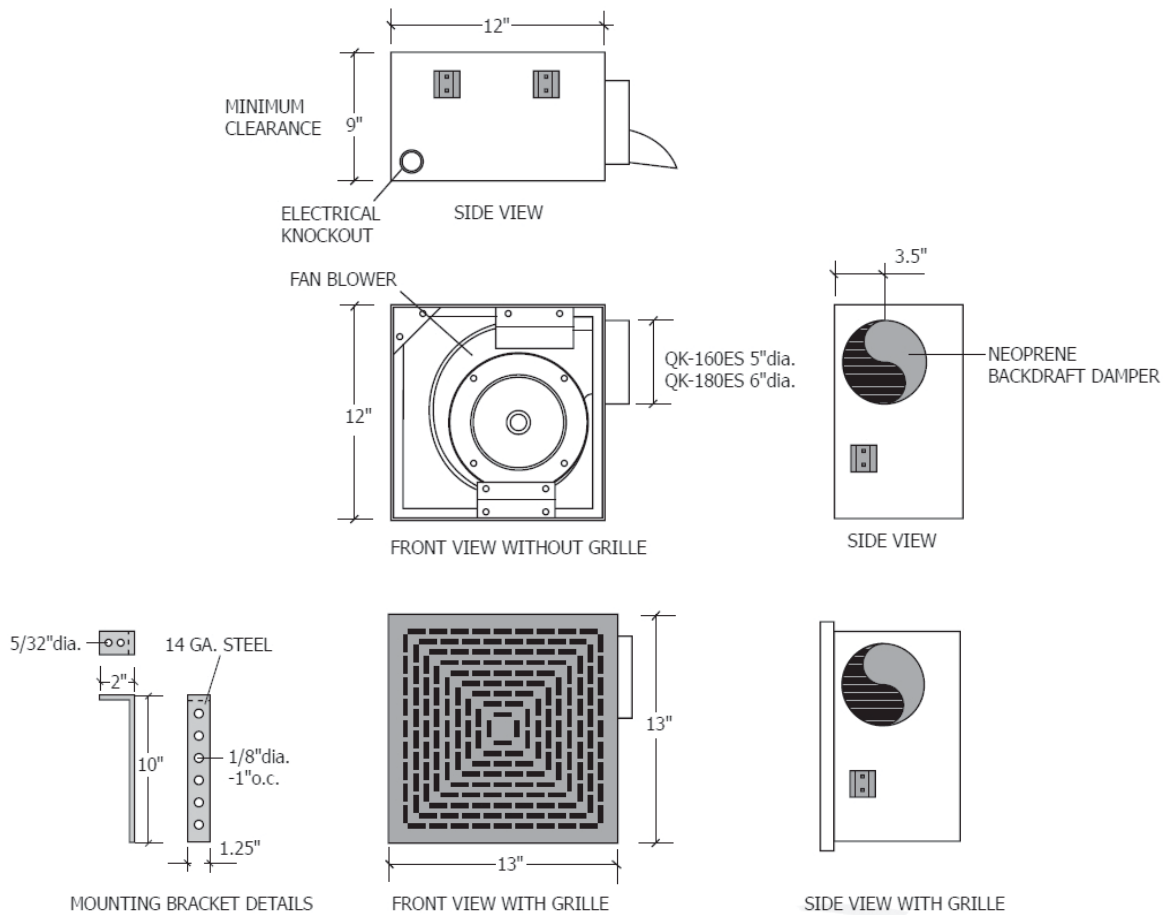
- Insulated housing
- Slotted white grille
- Mounting brackets
- Metal collar with neoprene damper

Optional:

- Variable speed control
- Aluminum backdraft damper
- Hi-Impact Polystyrene Collar
- Aluminum mesh grease filter (QK-160ES)



QK-160ES, QK-180ES



HVI CERTIFIED RATING

MODEL	SONES	CFM @ 0.10" S.P.
QK-160ES	0.9	150
QK-180ES	1.5	180

FAN DATA

MODEL	MOTOR 120 VAC 60 Hz			CUBIC FEET PER MINUTE								
	RPM	AMPS	WATTS	S.P.	0.00	0.10	0.20	0.30	0.40	0.50	0.60	0.70
QK-160ES	900	0.30	41	CFM	173	159	148	134	118	100	70	42
QK-180ES	950	0.40	51	CFM	203	188	172	157	140	110	78	50

RPM (Revolution Per Minute) shown is nominal and performance is based on actual speed of test. Unit was tested with inlet grille, backdraft damper and outlet duct.

Contractor:		<input type="checkbox"/> QK-160ES	<input type="checkbox"/> QK-180ES
Architect:	Job:	Date	Supersedes
Engineer:	Date Submitted:		Drawing No.

Reversomatic Manufacturing Ltd.

790 Rowntree Dairy Road, Woodbridge, ON Canada L4L 5V3 • Tel: 905-851-6701 • Fax: 905-851-8376
www.reversomatic.com • info@reversomatic.com