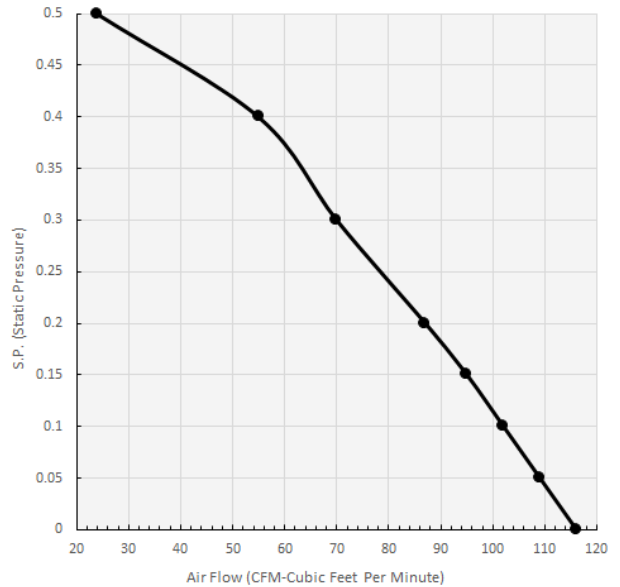




SUPER QUIET EXHAUST FAN

The QCF-125 fan is designed for high performance and quiet operation. This fan is equipped with specially designed mounting slots that allow for easy installation on concrete ceilings or wooden joists. The QCF-125 is constructed with corrosion resistant, heavy gauge satin coat steel. The fan is suitable for installation over bath tub or shower stall with GFCI protected branch circuit. It also meets Washington State Ventilation and Indoor Air Quality code

FAN DATA



Hi-impact Polystyrene collar

Off White Aluminum grille



High Impact Styrene Grille



Off White Louvered Grille

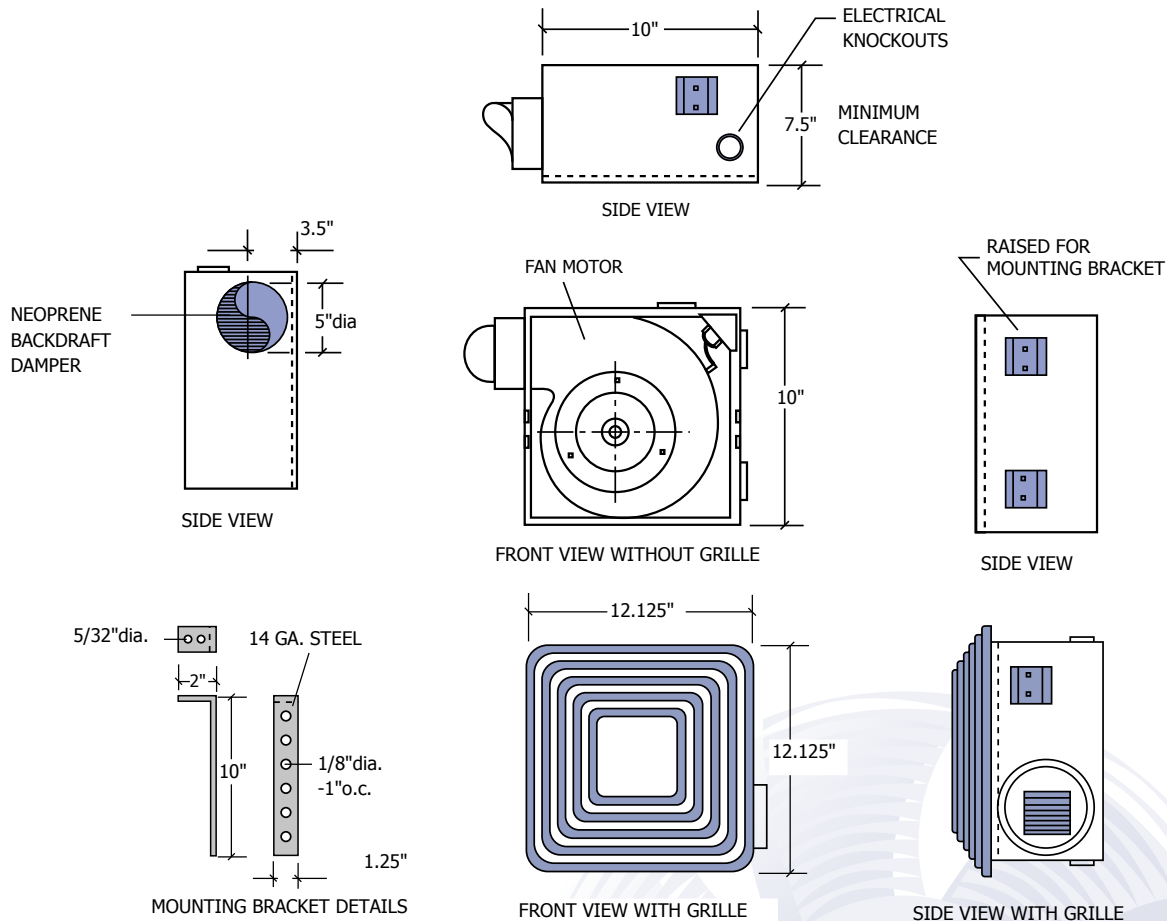
ACCESSORIES

Standard:

- Insulated Housing
- Mounting bracket
- Metal collar with neoprene damper
- Styrene grille or Off white louvered grille

Optional:

- Hi-impact Polystyrene collar
- Variable speed control
- Aluminum backdraft damper
- Off white aluminum louvered grille



HVI CERTIFIED RATINGS

MODEL	SONES	CFM @ 0.10" S.P.
QCF-125	2.5	100



FAN DATA

MODEL	MOTOR 120 VAC 60 Hz			CUBIC FEET PER MINUTE									
	RPM	AMPS	WATT	S.P.	0.00	0.05	0.10	0.15	0.20	0.25	0.30	0.40	0.50
QCF-125	1130	0.31	35.5	CFM	116	109	100	95	87	83	67	55	24

RPM (Revolution Per Minute) shown is nominal and performance is based on actual speed of test. Unit was tested with inlet grille, backdraft damper and outlet duct.

Contractor:		QCF-125		
Architect:	Job:	Data	Supersedes	Drawing NO.
Engineer:	Date Submitted:			

Reversomatic Manufacturing Ltd.