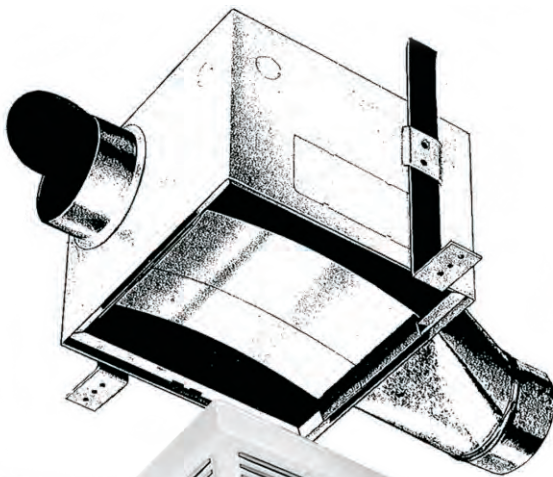




EXHAUST FAN FOR TWO BATHROOMS

The BB-100 fan is specially designed to exhaust two bathrooms, using the REVERSOMATIC balancing box for the 2nd washroom. The fan is equipped with transition and baffle for air balancing. It is also constructed of corrosion resistant heavy gauge satin coat steel.

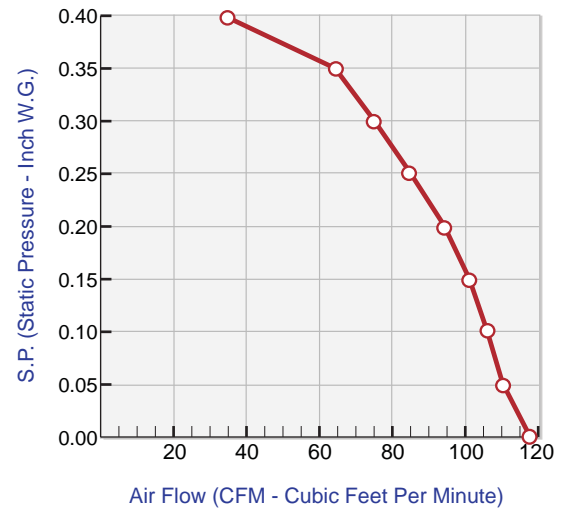


Plastic Backdraft Damper

White Aluminum Louvered Grille

High Impact Styrene Grille (optional)

BB-100 FAN DATA



ACCESSORIES

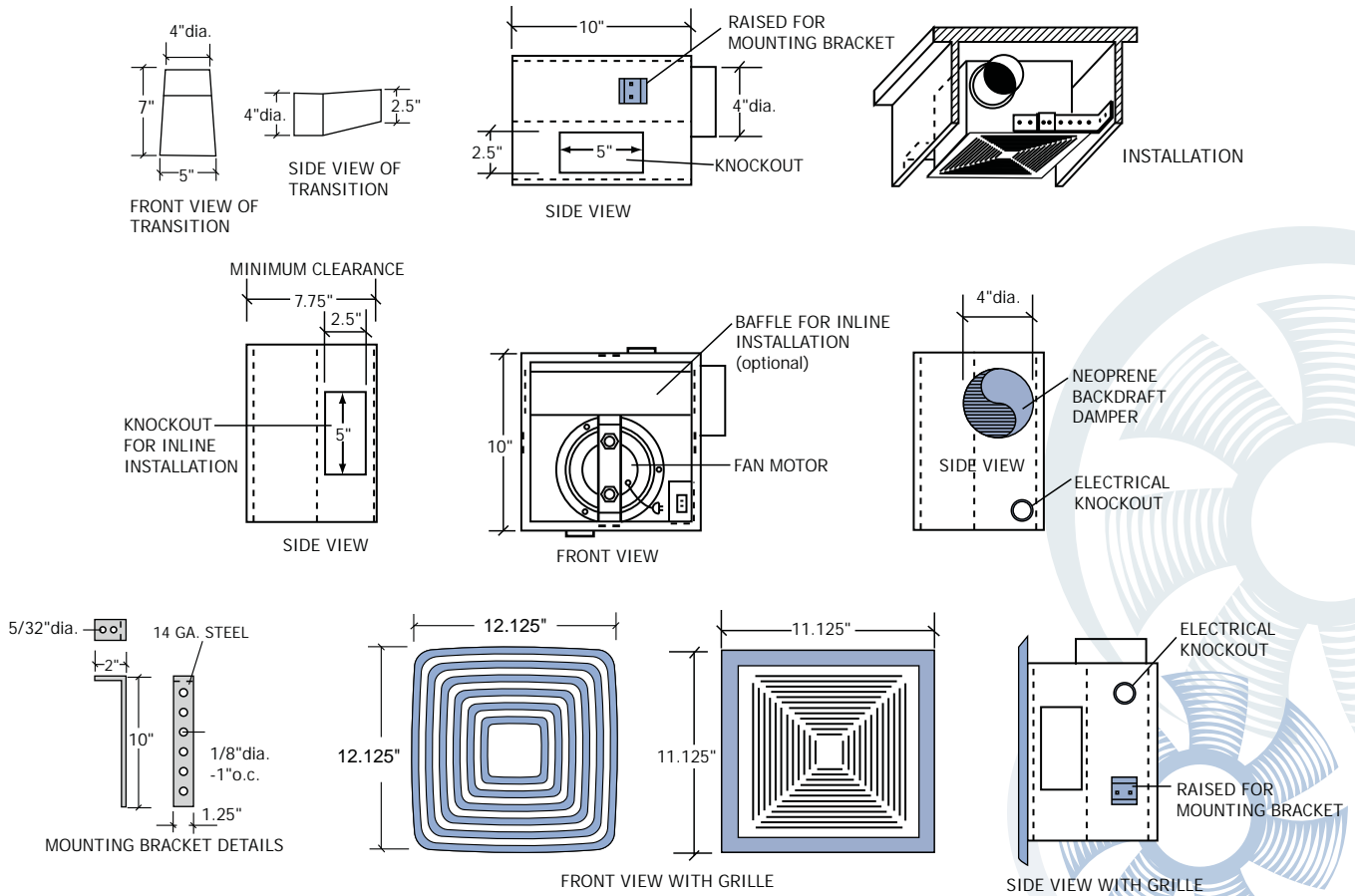
Standard

- Mounting brackets
- Plastic backdraft damper or metal collar with neoprene damper
- White aluminum louvered grille

Optional:

- Variable speed control
- Aluminum backdraft damper
- Plastic snap-in grille
- Baffle
- Inline transition
- Balance box





| MODEL | MOTOR 120 VAC 60 Hz | | | CUBIC FEET PER MINUTE | | | | | | | | | | |
|--------|---------------------|------|------|-----------------------|------|------|------|------|------|------|------|------|------|-------|
| | RPM | AMPS | HP | S.P. | 0.00 | 0.05 | 0.10 | 0.15 | 0.20 | 0.25 | 0.30 | 0.35 | 0.40 | Sones |
| BB-100 | 1650 | 1.00 | 5/32 | CFM | 118 | 113 | 108 | 101 | 93 | 84 | 75 | 65 | 35 | 3.5 |

RPM (Revolution Per Minute) shown is nominal and performance is based on actual speed of test. Unit was tested with inlet grille, backdraft damper and outlet duct.

| OCTAVE BAND | | 1 | 2 | 3 | 4 | 5 | 6 | 7 | 8 |
|---------------------------|------|------|------|------|------|------|------|------|------|
| CENTER FREQUENCY Hz | | 63 | 125 | 250 | 500 | 1000 | 2000 | 4000 | 8000 |
| STATIC PRESSURE INCH W.G. | 0.00 | 65.2 | 59.7 | 59.6 | 58.1 | 58.1 | 49.7 | 52.1 | 50.4 |
| | 0.19 | 64.9 | 59.7 | 57.9 | 55.6 | 59.8 | 46.5 | 48.0 | 45.5 |
| | 0.41 | 65.2 | 59.3 | 56.1 | 51.7 | 49.8 | 41.0 | 40.9 | 42.6 |

The sound power level ratings shown are in decibels, referred to 10^{-12} watts calculated per AMCA Standard 301. Values shown are for inlet Lwi sound levels for installation Type B: free inlet, ducted outlet. Ratings do not include the effects of duct end correction.

| | | | |
|-------------|-----------------|------|-------------|
| Contractor: | BB-100 | | |
| Architect: | Job: | Date | Supersedes |
| Engineer: | Date Submitted: | | Drawing No. |