



ULTRA SUPER QUIET EXHAUST FAN

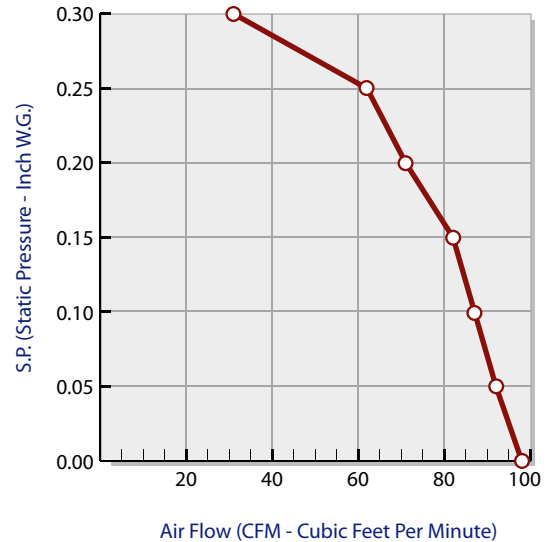
The RS-95 fan is designed for high performance and quiet operation. This fan is equipped with specially designed mounting slots that allow for easy installation on concrete ceilings or wooden joists. The RS-95 is constructed with corrosion resistant, heavy gauge satin coat steel. The fan is suitable for installation over bath tub or shower stall with GFCI protected branch circuit. It also meets Washington State Ventilation and Indoor Air Quality Code.



Plastic Backdraft Damper



RS-95 FAN DATA



ACCESSORIES

Standard:

- White aluminum grille
- Mounting brackets

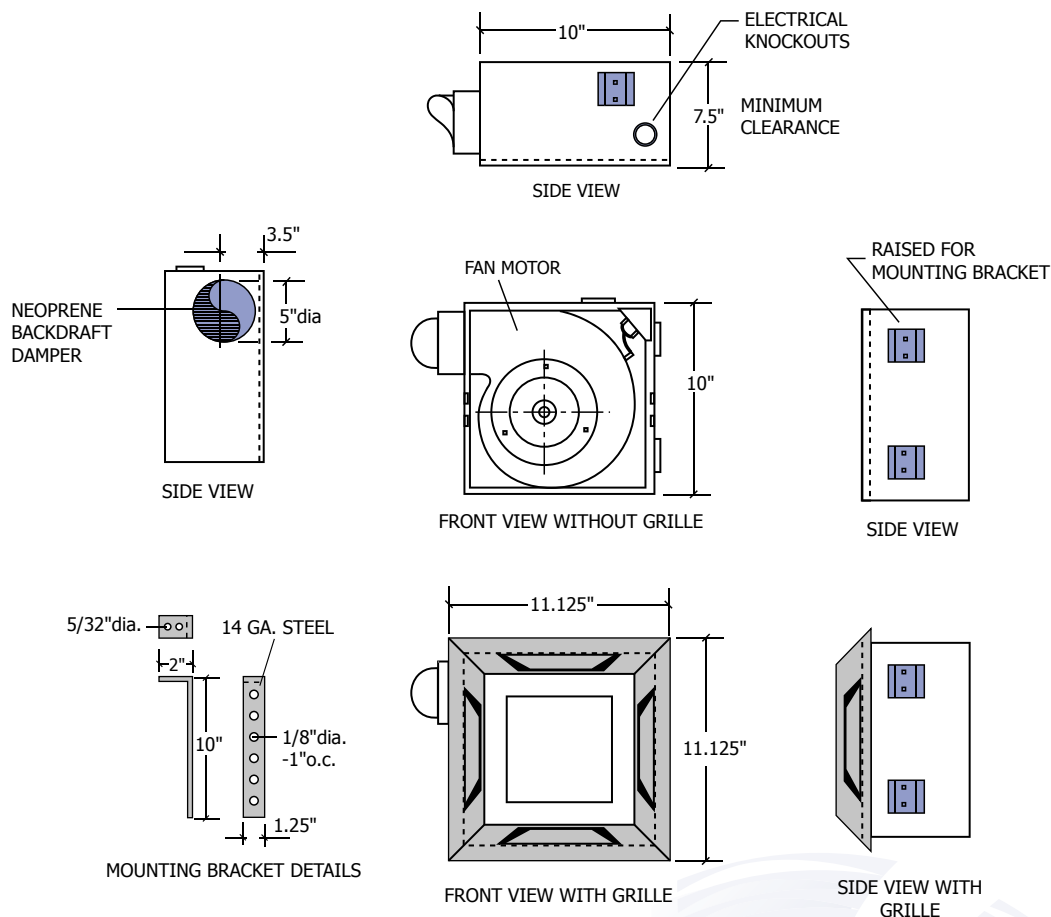
Optional:

- Variable speed control
- Stamped aluminum grille
- Aluminum backdraft damper



Reversomatic Manufacturing Ltd.

790 Rowntree Dairy Road, Woodbridge, ON Canada L4L 5V3 • Tel: 905-851-6701 • Fax: 905-851-8376
www.reversomatic.com • info@www.reversomatic.com



HVI CERTIFIED RATINGS

| MODEL | SONES | CFM @ 0.10" S.P. |
|-------|-------|------------------|
| RS-95 | 1.5 | 80 |

FAN DATA

| MODEL | MOTOR 120 VAC 60 Hz | | CUBIC FEET PER MINUTE | | | | | | | |
|-------|---------------------|------|-----------------------|------|------|------|------|------|------|------|
| | RPM | AMPS | S.P. | 0.00 | 0.05 | 0.10 | 0.15 | 0.20 | 0.25 | 0.30 |
| RS-95 | 1050 | 0.35 | CFM | 98 | 92 | 87 | 82 | 71 | 62 | 31 |

RPM (Revolution Per Minute) shown is nominal and performance is based on actual speed of test. Unit was tested with inlet grille, backdraft damper and outlet duct.

| | | | | | | |
|-------------|--|-----------------|-------|------|------------|-------------|
| Contractor: | | | RS-95 | | | |
| Architect: | | Job: | | Data | Supersedes | Drawing NO. |
| Engineer: | | Date Submitted: | | | | |

Reversomatic Manufacturing Ltd.